

# Technical Data Manual

Model Nos. and pricing: see Price List

# VIESSMANN®

Gas-fired wall-mounted condensing boiler  
71 to 530 MBH (21 to 155 kW)  
Multi-boiler installation 71 to 4240 MBH (21 to 1240 kW)  
For Natural Gas and Liquid Propane Gas



## VITODENS® 200-W



*Product may not be exactly as shown*

### Vitodens 200-W

**B2HA Series, Models 88, 100, 112, 150, 311, 352, 399, 530**

Gas-Fired Wall-Mounted Condensing Boiler with modulating  
MatriX cylinder burner for room air independent operation  
(using a direct vent system or room air dependent operation).



Energy Verified



H



## Vitodens 200-W

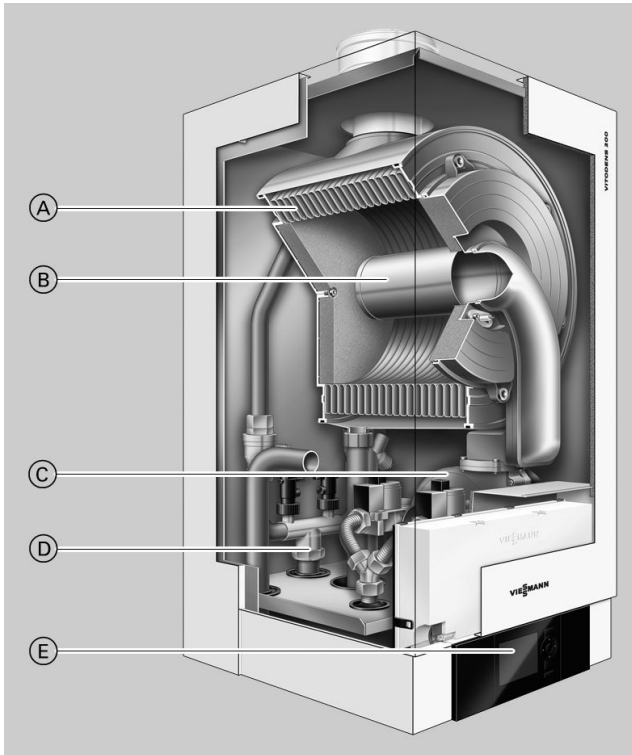
Equipped with the industry's first intelligent combustion management system and powerful control technology, the new generation Vitodens 200-W gas-fired wall-mount condensing boiler delivers unparalleled performance, reliability and comfort.

The benefits at a glance:

- Best value in its class with new industry-leading technology and the most standard features.
- Highest Efficiency - CSA thermal efficiency rating to ANSI Z.21.13/CSA 4.9 of 94.5%. Energy Star and the CSA Energy Performance are not applicable for these models.
- Lasting performance with industry-leading Viessmann made SA240 / S43932 stainless steel Inox-Radial heat exchanger constructed to CSA B51 and ASME Section IV.
- Low Emission Combustion with Viessmann made stainless steel MatriX cylinder burner. Factory calibrated.
- Fast Installation and Reduced Maintenance with Lambda Pro, industry-first intelligent combustion management system: Adjusts automatically to gas type and quality. No fuel conversion kit required.
- Powerful and User-friendly Viessmann Vitotronic on-board multi-function outdoor reset boiler and system control for multi-temperature space and DHW heating.
- Zone circuit capabilities provide 3 input connections that allow easy integration of third party components such as thermostats, SIM controls, Multizone controllers, and other smart or on/off control technologies.
- The setup of these new capabilities can be done quickly with the new start-up wizard that prompts the installer for the relevant information necessary to setup the system without having to go into complex levels of coding parameters.
- The unique capability of the new zone control allows the installer to combining temperature setpoint operation and outdoor reset capability. This means that one or all of the 3 zone circuits control can operate on a set temperature, or vary based on the outdoor reset curve that is selected in the start-up wizard.
- Expanded Application Range with increased capacity up to 530 MBH (155 kW). Multi-boiler installation up to 4240 MBH (1240 kW) with up to 8 boilers (models B2HA 88, 100, 112, 150, 311, 352, 399 and 530).
- Greater Venting Flexibility with increased vent length [up to 180 ft. (55 m)] and multiple venting options.
  - Horizontal or vertical sealed combustion coaxial venting (field supplied).
  - Horizontal, vertical or hybrid sealed combustion double-pipe venting (field supplied).
  - Horizontal or vertical single-wall venting (field supplied).
- Compact, Esthetic Product Design and zero clearance to combustibles.
- Extremely Quiet Operation; quieter than most refrigerators.
- True High-Altitude Operation up to 10,000 ft. (3,000 m) with simple electronic adjustment.
- Efficiency up to 98% through intensive condensation.
- The gas train on the burner meets the requirement of ASME/CSD-1.

# Cross-Section

Vitodens 200-W B2HA 88-150, 311-530



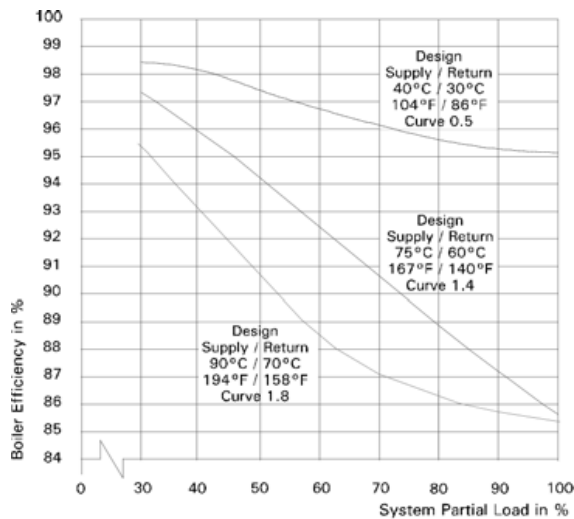
Products may not be exactly as shown

- Ⓐ Inox-Radial heat exchanger made from stainless steel – for high operational reliability and a long service life. Large heating output in the smallest of spaces
- Ⓑ Modulating MatriX cylinder burner for extremely clean combustion and quiet operation
- Ⓒ Variable speed combustion fan for quiet and economical operation
- Ⓓ Gas and water connections
- Ⓔ Digital boiler control unit

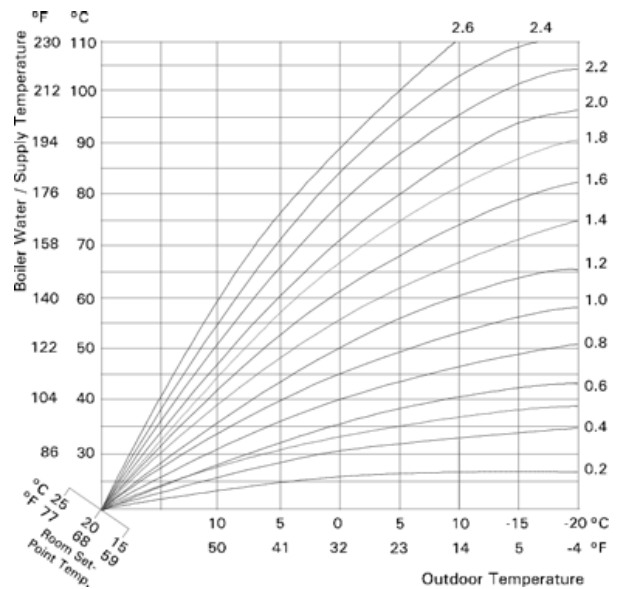
### Delivered condition

Wall mounted gas condensing boiler with Inox-Radial heat exchanger, modulating MatriX cylinder burner for natural gas and LPG, plus wall mounting bracket. Vitotronic 200 for weather-compensated operation. Preset for operation with natural gas. Fully plumbed and wired. White epoxy-coated casing.

The flue gas temperature is only approximately 9°F-27°F (5°C-15°C) above boiler return temperature (see chart below).



Vitodens 200-W boiler efficiency dependent on system heating water return temperatures and load conditions



**Technical Data**

Boiler Model No. B2HA		88, 311 *A	100, 352 *A	112, 399 *B	150, 530 *A
CSA input Natural Gas (NG)	MBH	71-311	71-352	113-399	113-530
	(kW)	(21-91)	(21-103)	(33-117)	(33-155)
CSA input Liquid Propane Gas (LPG)	MBH	104-311	104-352	113-399	113-530
	(kW)	(30-91)	(30-103)	(33-117)	(33-155)
CSA output NG *3	MBH	67-294	67-333	103-375	103-495
	(kW)	(20-86)	(20-98)	(30-110)	(30-145)
CSA output LPG *3	MBH	98-294	98-333	103-375	103-495
	(kW)	(29-86)	(29-98)	(30-110)	(30-145)
DOE/AHRI Gross output	MBH	292	329	371	490
	(kW)	(85)	(96)	(109)	(144)
Net AHRI Rating *C	MBH	254	286	323	426
	(kW)	(74)	(84)	(95)	(125)
Heat exchanger surface area	ft. <sup>2</sup>	28.88	28.88	36.75	36.75
	(m <sup>2</sup> )	(2.68)	(2.68)	(3.41)	(3.41)
<b>Min. gas supply pressure</b>					
Natural gas	"w.c.	4	4	4	4
Liquid propane gas	"w.c.	10	10	10	10
<b>Max. gas supply pressure *1</b>					
Natural gas	"w.c.	14	14	14	14
Liquid propane gas	"w.c.	14	14	14	14
<b>ANSI Z21,13/CSA 4.9</b>					
Thermal efficiency	%	94.5	94.5	93.9	93.5
<b>AHRI, BTS-2000 *D</b>					
Combustion efficiency	%	94.2	94.0	93.5	93.0
Thermal efficiency	%	94.0	93.5	93.0	92.5
<b>Weight</b>	lbs	194	194	298	298
	(kg)	(88)	(88)	(135)	(135)
<b>Boiler water content</b>	USG	3.4	3.4	3.54	3.54
	(L)	(12.8)	(12.8)	(13.38)	(13.38)
<b>Boiler max. flow rate *2</b>	GPM	25	25	38	38
	(L/h)	(5700)	(5700)	(8600)	(8600)
<b>Max. operating pressure at 210°F (99°C)</b>	psig	60	60	80	80
	(bar)	(4)	(4)	(5.5)	(5.5)
<b>Boiler water temperature</b>					
- Adjustable high limit (AHL) range space heating (steady state)	°F	68 to 185	68 to 185	68 to 185	68 to 185
	(°C)	(20 to 85)	(20 to 85)	(20 to 85)	(20 to 85)
DHW production	°F	185	185	185	185
	(°C)	(85)	(85)	(85)	(85)
- Fixed high limit (FHL)	°F	210	210	210	210
	(°C)	(99)	(99)	(99)	(99)
<b>Boiler connections</b>					
Boiler heating supply and return	NPTM	1½ in.	1½ in.	2 in.	2 in.
Pressure relief valve	NPTF	¾ in.	¾ in.	¾ in.	¾ in.
Drain valve	(male thread)	¾ in.	¾ in.	¾ in.	¾ in.
Boiler supply/return for indirect-fired DHW storage tank (field supplied)	NPT	1½ in.	1½ in.	2 in.	2 in.
Gas valve connection	NPTF	1 in.	1 in.	1 in.	1 in.

\*A For high altitude installations 5,000 - 10,000 ft. (1500 m - 3000 m), the input for model B2HA 88,100, 150, 311, 352, 530 will have an altitude de-ration of 14% for 5,000 ft. (1500 m) and 29% for 10,000 ft. (3000 m) average of 2.8% / 1,000 ft. (305 m).

\*B The input for model B2HA 112, 399 at 10,000 ft. (3000 m) will have an input de-rate of 13%.

\*C Net AHRI rating based on piping and pick-up allowance of 1.15.

\*D Tested to AHRI, BTS-2000 Testing Standard Method to Determine Efficiency of Commercial Heating Boilers.

\*1 If the gas supply pressure exceeds the maximum gas supply pressure value, a separate gas pressure regulator must be installed upstream of the heating system.

\*2 See "Waterside Flow" starting on page 9 of this manual.

\*3 Output based on 180°F (82°C), 80°F (26°C) system supply/return temperature.

**Technical Data** *(continued)*

<b>Boiler Model No. B2HA</b>		<b>88, 311 *A</b>	<b>100, 352 *A</b>	<b>112, 399 *B</b>	<b>150, 530 *A</b>
<b>Dimensions</b>					
Overall depth	inches (mm)	21 (530)	21 (530)	27.1 (689)	27.1 (689)
Overall width	inches (mm)	19 (480)	19 (480)	23 <sup>5</sup> / <sub>8</sub> (600)	23 <sup>5</sup> / <sub>8</sub> (600)
Overall height *8	inches (mm)	43 <sup>1</sup> / <sub>2</sub> (1105)	43 <sup>1</sup> / <sub>2</sub> (1105)	44 <sup>1</sup> / <sub>2</sub> (1128)	44 <sup>1</sup> / <sub>2</sub> (1128)
<b>Flue gas *4</b>					
Temperature (at boiler return temperature of 86°F (30°C)					
- at rated full load	°F (°C)	135 (57)	135 (57)	124 (51)	140 (60)
- at rated partial load	°F (°C)	99 (37)	99 (37)	102 (39)	102 (39)
Temperature (at boiler return temperature of 140°F (60°C)	°F (°C)	162 (72)	162 (72)	158 (70)	165 (74)
<b>Flue gas parameters</b>					
<b>Mass flow rate</b>					
Natural gas					
- at rated heating output (DHW heating)	lb/h (kg/h)	384 (174)	384 (174)	463 (210)	558 (253)
- at partial load	lb/h (kg/h)	115 (52)	115 (52)	116 (53)	116 (53)
Liquid propane gas					
- at rated heating output (DHW heating)	lb/h (kg/h)	364 (165)	364 (165)	509 (231)	613 (278)
- at partial load	lb/h (kg/h)	108 (49)	108 (49)	130 (59)	130 (59)
<b>Max. condensate flow rate *5</b>					
for NG and LPG	USG/h	3.1	3.5	4.35	5.28
T <sub>S</sub> /T <sub>R</sub> = 104/86°F (40/30°C)	(L/h)	(11.7)	(13.1)	(16.5)	(20.0)
<b>Condensate connection *6</b>					
	hose nozzle Ø in.	¾-1	¾-1	¾-1	¾-1
<b>Boiler flue gas connection *7</b>					
	Ø in. (mm)	4 <sup>3</sup> / <sub>8</sub> (110)	4 <sup>3</sup> / <sub>8</sub> (110)	4 <sup>3</sup> / <sub>8</sub> (110)	4 <sup>3</sup> / <sub>8</sub> (110)
<b>Combustion air supply connection (coaxial)</b>					
	outer Ø in. (mm)	6 (150)	6 (150)	6 (150)	6 (150)
<b>Sound Rating</b>					
- at maximum input	dB	69	69	57	61
- at minimum input	dB	38	38	40	40
NOx @ 3% O <sub>2</sub>		< 20 PPM *9			

\*A For high altitude installations 5,000 - 10,000 ft. (1500 m - 3000 m), the input for model B2HA 88, 100, 150, 311, 352, 530 will have an altitude de-ration of 14% for 5,000 ft. (1500 m) and 29% for 10,000 ft. (3000 m) average of 2.8% / 1,000 ft. (305 m).

\*B The input for model B2HA 112, 399 at 10,000 ft. (3000 m) will have an input de-rate of 13%.

\*4 Measured flue gas temperature with a combustion air temperature of 68°F (20°C).

\*5 Based on maximum input rate.

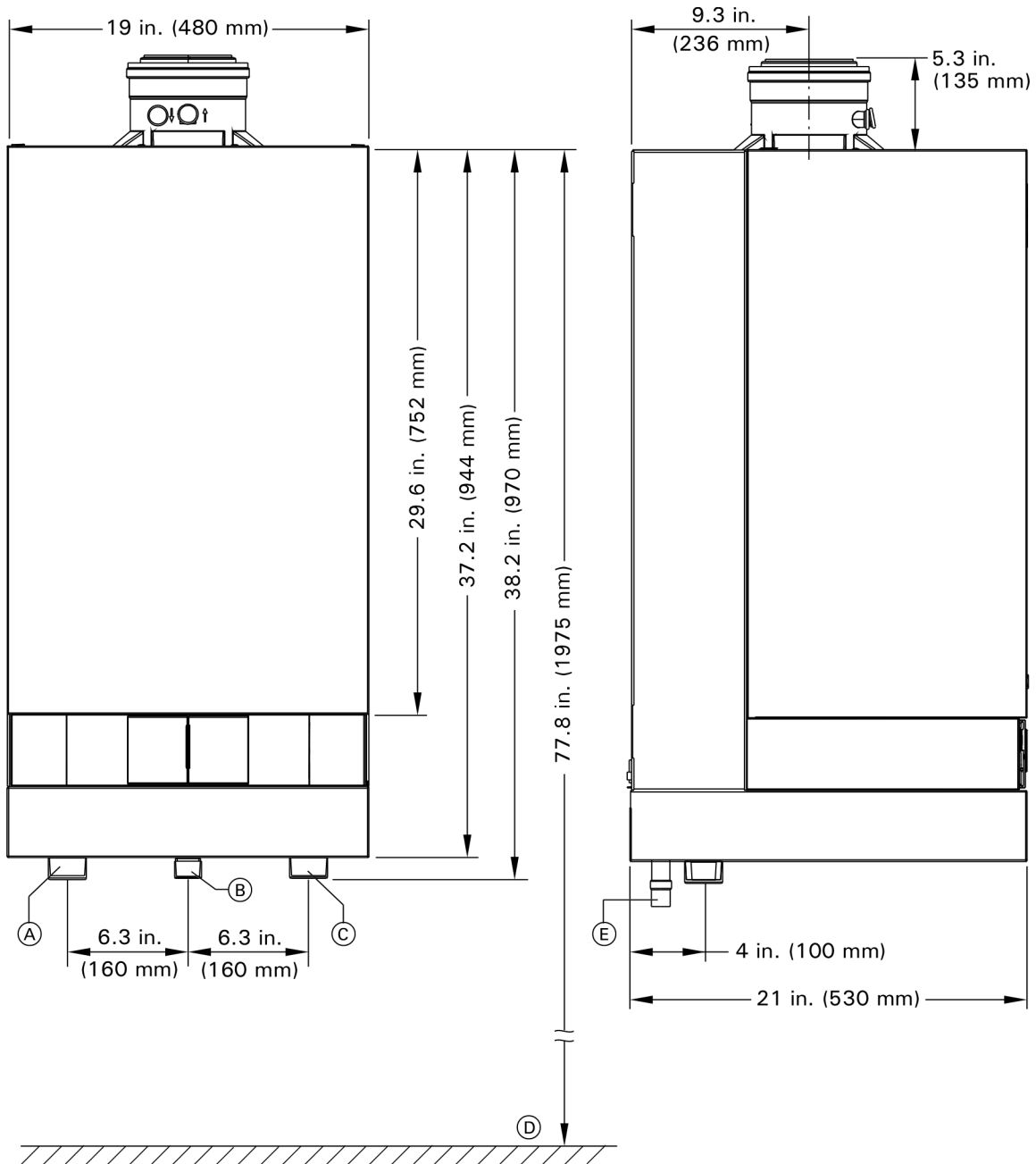
\*6 Requires 1 inch (25 mm) tubing. See the Installation Instructions of the Vitodens 200-W, B2HA for details.

\*7 For side wall vent installations (coaxial system):  
Do not exceed max. equivalent length specified in the Installation Instructions of the Vitodens 200-W, B2HA Venting System.  
Side wall co-axial vent installation must include Viessmann protective screen!  
For details refer to the Installation Instructions for the Vitodens 200-W, B2HA Venting System.  
The Vitodens 200-W can only be common vented with other Vitodens 200-W boilers of the same size and series.  
For details refer to the Common Venting Manual.

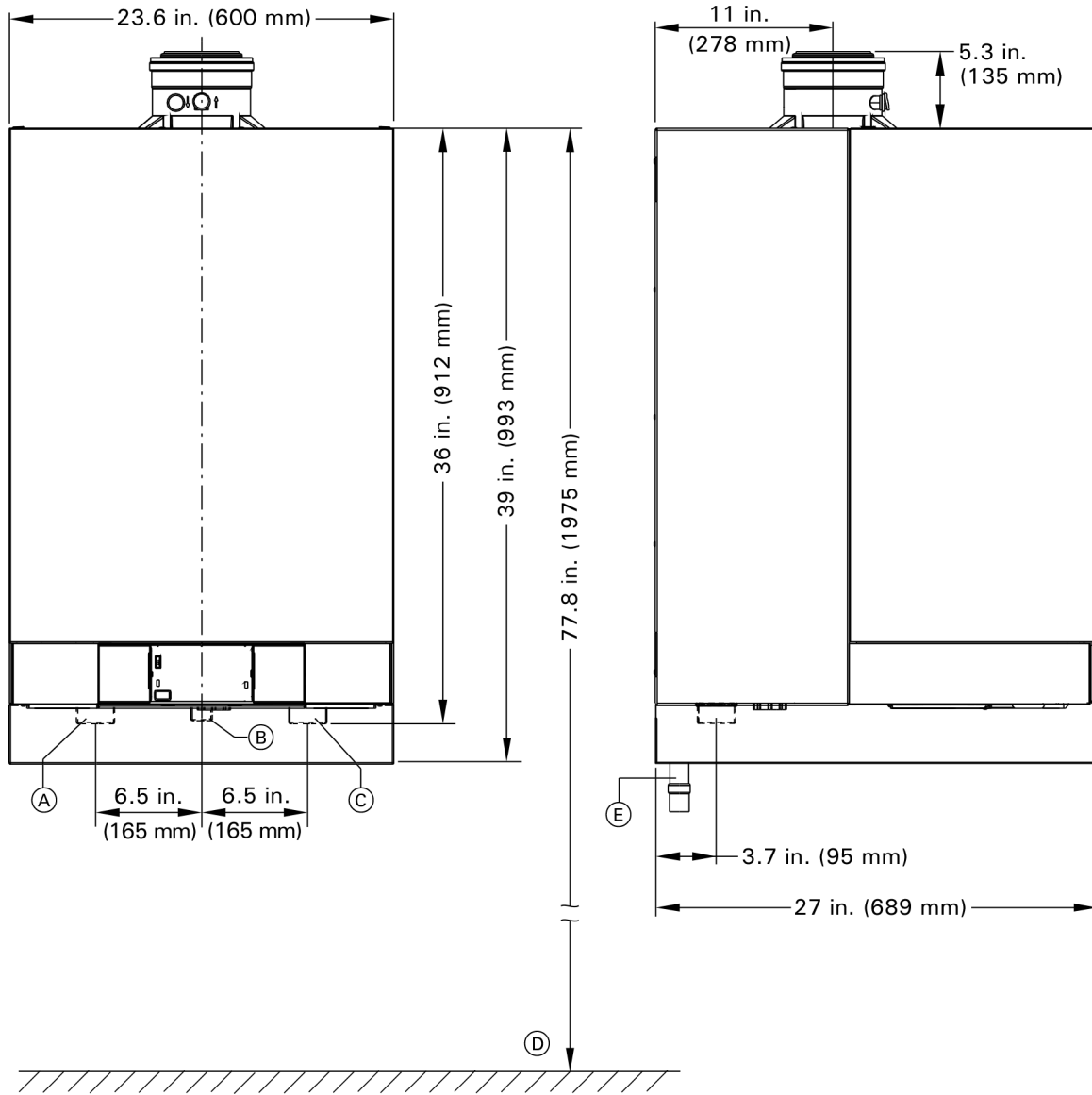
\*8 Add approximately 2½ inches (65 mm) for coaxial vent pipe transition adaptor.

\*9 Optional low NOx certified by SCAQMD Natural Gas models available.  
For information regarding other Viessmann System Technology componentry, please reference the documentation of each respective product.

**Model B2HA 88, 100, 311, 352**



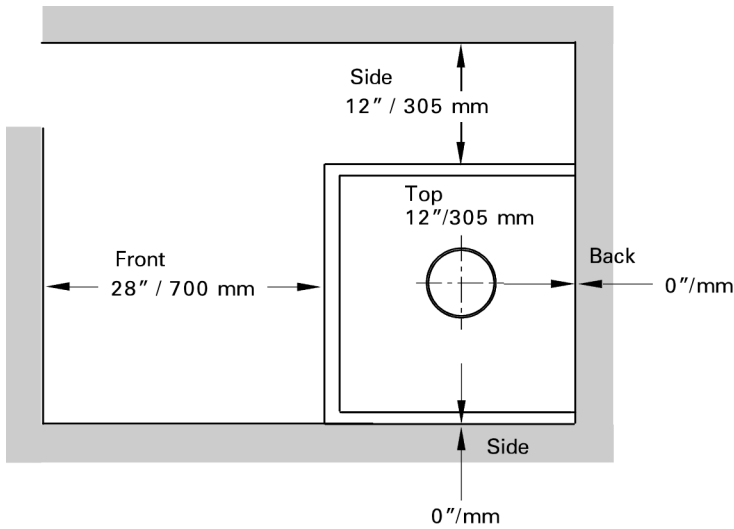
**Models B2HA 112, 150, 399, 530**



**Legend**

- (A) Boiler Supply
- (B) Gas Connection, 1 in. NPTF
- (C) Boiler Return
- (D) Recommended height (single boiler system)
- (E) Condensate drain

## Recommended Minimum Service Clearances



### Minimum Clearances to Combustibles

Top	Front	Rear	Left	Right	Vent pipe * 1
0	0 AL, CL	0	0	0	0

AL = Alcove  
 CL = Closet

\* 1 Refer to the Installation Instructions of the Vitodens 200-W, B2HA Venting System for details.

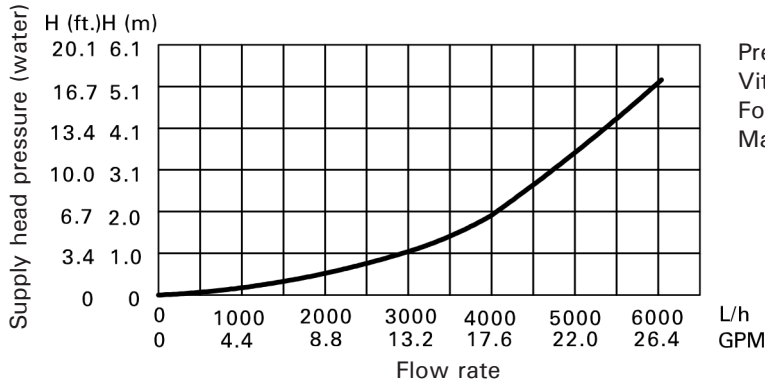
**Note:** The Vitodens boiler has passed the zero inches vent clearance to combustibles testing requirements dictated by the Harmonized Standard ANSI Z21.13 CSA 4.9 (latest edition) and therefore is listed for zero clearance to combustibles when vented with a single wall special venting system (AL-29-4C material). The zero inches vent clearance to combustibles for the Vitodens boiler supercedes the clearance to combustibles listing that appears on the special venting system label.



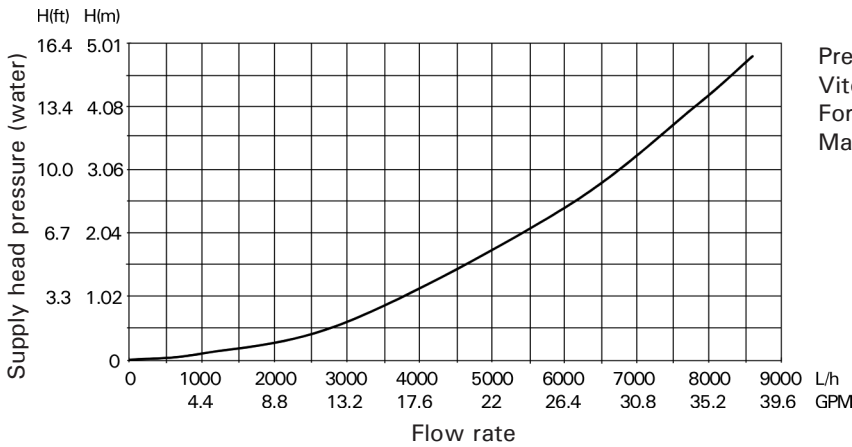
### Waterside Flow (primary circuit)

The Vitodens 200-W, B2HA is designed for closed loop, forced circulation hot water heating systems only. Use standard friction loss method for pipe sizing. Observe boiler maximum and minimum flow rate limitations. If system flow rate exceeds boiler maximum flow rate (as stated below), falls below the minimum flow rate or if system flow rate is unknown, Viessmann strongly recommends the installation of a low-loss header. An alternative method may be used, such as primary secondary piping using closely spaced tees.

A low-loss header offers additional benefits not provided by a pair of closely spaced tees. Viessmann therefore strongly recommends and prefers the use of a low-loss header over closely spaced tees. See pages 32 and 33 for low-loss header information. Once the low-loss header is connected, the built-in low-loss header logic of the Vitodens 200-W boiler ensures the required  $\Delta t$  across the system through the sensory communication between the low-loss header and the boiler.



Pressure drop (primary circuit) for Vitodens 200-W, B2HA 88, 100, 311, 352  
For sizing an on-site circulation system.  
Max. flow rate: 25 USGPM (5700 L/h)



Pressure drop (primary circuit) for Vitodens 200-W, B2HA 112, 150, 399, 530  
For sizing an on-site circulation system.  
Max. flow rate: 38 USGPM (8600 L/h)

## Typical System Flow Rates

Boiler B2HA 88, 311 maximum flow rate; 25 GPM (5700 L/h)

<b>Model B2HA 88, 311</b>		<b>1 boiler</b>	<b>2 boilers</b>	<b>3 boilers</b>	<b>4 boilers</b>	<b>5 boilers</b>	<b>6 boilers</b>	<b>7 boilers</b>	<b>8 boilers</b>
<b>Output (NG/LPG)</b>									
	MBH	294	588	882	1176	1470	1764	2058	2352
$\Delta t$ for NG/LPG									
20°F rise	GPM (L/h)	29.4 (6677)	58.8 (13355)	88.2 (20032)	117.6 (26709)	147.0 (33387)	176.4 (40064)	205.8 (46741)	235.2 (53419)
25°F rise	GPM (L/h)	23.5 (5342)	47.0 (10684)	70.6 (16026)	94.1 (21367)	117.6 (26709)	141.1 (32051)	164.6 (37393)	188.2 (42735)
30°F rise	GPM (L/h)	19.6 (4452)	39.2 (8903)	58.8 (13355)	78.4 (17806)	98.0 (22258)	117.6 (26709)	137.2 (31161)	156.8 (35612)
35°F rise	GPM (L/h)	16.8 (3816)	33.6 (7631)	50.4 (11447)	67.2 (15262)	84.0 (19078)	100.8 (22894)	117.6 (26709)	134.4 (30525)
40°F rise	GPM (L/h)	14.7 (3339)	29.4 (6677)	44.1 (10016)	58.8 (13355)	73.5 (16693)	88.2 (20032)	102.9 (23371)	117.6 (26709)

Boiler B2HA 100, 352 maximum flow rate; 25 GPM (5700 L/h)

<b>Model B2HA 100, 352</b>		<b>1 boiler</b>	<b>2 boilers</b>	<b>3 boilers</b>	<b>4 boilers</b>	<b>5 boilers</b>	<b>6 boilers</b>	<b>7 boilers</b>	<b>8 boilers</b>
<b>Output (NG/LPG)</b>									
	MBH	333	666	999	1332	1665	1998	2331	2664
$\Delta t$ for NG/LPG									
20°F rise	GPM (L/h)	33.3 (7563)	66.6 (15128)	100 (22692)	133 (30255)	166.5 (37816)	200 (45383)	233 (52947)	266.4 (60510)
25°F rise	GPM (L/h)	26.6 (6051)	53.3 (12102)	80 (18153)	106.6 (24204)	133 (30253)	160 (36307)	187 (42377)	213 (48409)
30°F rise	GPM (L/h)	22.2 (5042)	44.4 (10085)	66.6 (15128)	89 (20170)	111 (25211)	133 (30255)	155.4 (35298)	178 (40341)
35°F rise	GPM (L/h)	19 (4322)	38.1 (8644)	57 (12967)	76 (17289)	95 (21609)	114 (25933)	133 (30255)	152 (34578)
40°F rise	GPM (L/h)	16.7 (3781.6)	33.3 (7564)	50 (11346)	66.6 (15128)	83 (18908)	100 (22692)	117 (26473)	133 (30255)

**Typical System Flow Rates** *(continued)*

Boiler B2HA 112, 399 maximum flow rate; 38 GPM (8600 L/h)

<b>Model B2HA 112, 399</b>		<b>1 boiler</b>	<b>2 boilers</b>	<b>3 boilers</b>	<b>4 boilers</b>	<b>5 boilers</b>	<b>6 boilers</b>	<b>7 boilers</b>	<b>8 boilers</b>
<b>Output (NG/LPG)</b>									
MBH		375	750	1125	1500	1875	2250	2625	3000
$\Delta t$ for NG/LPG									
20°F rise	GPM (L/h)	37.5 (8500)	75 (17000)	112.5 (25600)	150 (34100)	187.5 (42600)	225 (51100)	262.5 (59600)	300 (68100)
25°F rise	GPM (L/h)	30 (6800)	60 (13600)	90 (20400)	120 (27300)	150 (34100)	180 (40900)	210 (44700)	240 (54500)
30°F rise	GPM (L/h)	25 (5700)	50 (11400)	75 (17000)	100 (22700)	125 (28400)	150 (34100)	175 (39700)	200 (45400)
35°F rise	GPM (L/h)	21.4 (4900)	42.9 (9700)	64.3 (14600)	85.7 (19500)	107.1 (24300)	128.6 (29200)	150 (34100)	171.4 (38900)
40°F rise	GPM (L/h)	18.8 (4300)	37.5 (8500)	56.3 (12800)	75 (17000)	93.8 (21300)	112.5 (25600)	131.3 (29800)	150 (34100)

Boiler B2HA 150, 530 maximum flow rate; 38 GPM (8600 L/h)

<b>Model B2HA 150, 530</b>		<b>1 boiler</b>	<b>2 boilers</b>	<b>3 boilers</b>	<b>4 boilers</b>	<b>5 boilers</b>	<b>6 boilers</b>	<b>7 boilers</b>	<b>8 boilers</b>
<b>Output (NG/LPG)</b>									
MBH		495	990	1485	1980	2475	2970	3465	3960
$\Delta t$ for NG/LPG									
20°F rise	GPM (L/h)	49.5 (11243)	99 (22487)	149 (33731)	198 (44974)	247.5 (56213)	297 (67461)	346.5 (78705)	396 (89949)
25°F rise	GPM (L/h)	39.6 (8994)	79 (17990)	119 (26985)	158 (35979)	198 (44971)	237.6 (53969)	277 (62964)	317 (71959)
30°F rise	GPM (L/h)	33 (7495)	66 (14991)	99 (22487)	132 (29983)	165 (37476)	198 (44974)	231 (52470)	264 (59966)
35°F rise	GPM (L/h)	28 (6424)	57 (12850)	85 (19275)	113 (25700)	141.4 (32122)	170 (38549)	198 (44974)	226 (51399)
40°F rise	GPM (L/h)	25 (5631)	50 (11244)	74 (16865)	99 (22487)	124 (28107)	148.5 (33731)	173 (39352)	198 (44974)

## Heating Circuit / Boiler Pumps

Viessmann offers a variety of Grundfos heating circuit / boiler pumps which meet typical Vitodens system installation requirements (see "Heating circuit pump (field supplied)" or "Boiler pump (field supplied)" in the Installation Examples starting on page 36). See tables below for recommended pumps. Refer to the graphs on page 9 for the proper waterside boiler friction loss calculations. The following pumps have been selected based on boiler heat exchanger head loss and boiler piping to a low-loss header.

Before using the following pumps for a DHW tank application, find out the proper pressure drop through the tank, the required temperature difference through the coil and system piping head loss of the domestic hot water.

### IMPORTANT

**Pump selection must be based on accurate system flow and pressure drop calculations (incl. DHW sizing).**

Model B2HA 88, 311	Flow rate	Boiler pressure drop (ft.)	Recommended pump Grundfos
20°F Δt	--	--	--
25°F Δt	23.5	11.2	UPS 26-99FC, 115V, Speed 3
30°F Δt	19.6	9.5	UPS 26-99FC, 115V, Speed 3
35°F Δt	16.8	5.5	UPS 26-99FC, 115V, Speed 2
40°F Δt	14.7	4.5	UPS 26-99FC, 115V, Speed 2
<b>Flow limitation GPM (L/h)</b>	<b>25 (5700)</b>		

Model B2HA 100, 352	Flow rate	Boiler pressure drop (ft.)	Recommended pump Grundfos
20°F Δt	--	--	--
25°F Δt	--	--	--
30°F Δt	22.2	12.0	UPS 32-160/2, 115V, Speed 1 / UPS 26-99FC, 115V, Speed 3
35°F Δt	19.0	8.5	UPS 26-99FC, 115V, Speed 3
40°F Δt	16.7	6.0	UPS 26-99FC, 115V, Speed 2
<b>Flow limitation GPM (L/h)</b>	<b>25 (5700)</b>		

Model B2HA 112, 399	Flow rate	Boiler pressure drop (ft.)	Recommended pump Grundfos
20°F Δt	37.5	15.0	UPS 32-160/2, 115V, Speed 1 / UPS 26-150F, 115V, Speed 2
25°F Δt	30.0	11.3	UPS 32-160/2, 115V, Speed 1 / UPS 26-150F, 115V, Speed 2
30°F Δt	25.0	8.8	UPS 32-160/2, 115V, Speed 1 / UPS 26-150F, 115V, Speed 2
35°F Δt	21.4	6.5	UPS 32-160/2, 115V, Speed 1 / UPS 26-99FC, 115V, Speed 3
40°F Δt	19.5	4.8	UPS 26-99FC, 115V, Speed 2 / UPS 26-150F, 115V, Speed 1
<b>Flow limitation GPM (L/h)</b>	<b>37.9 (8600)</b>		

Model B2HA 150, 530	Flow rate	Boiler pressure drop (ft.)	Recommended pump Grundfos
20°F Δt	--	--	--
25°F Δt	--	--	--
30°F Δt	33.0	12.6	UPS 32-160/2, 115V, Speed 1 / UPS 26-150F, 115V, Speed 3
35°F Δt	28.3	9.4	UPS 32-160/2, 115V, Speed 1 / UPS 26-150F, 115V, Speed 2
40°F Δt	24.8	8.0	UPS 26-99FC, 115V, Speed 3 / UPS 32-160/2, 115V, Speed 1 /
<b>Flow limitation GPM (L/h)</b>	<b>37.9 (8600)</b>		

## Low-Loss Header Application

Sizing of Low-Loss Header in a Residential/Commercial Single-Boiler Application

Boiler Model	No. of Boilers	Boiler Max. Flow Rate	Total Flow Rate	Typical System Flow Rates							Viessmann Low-loss Temp. Sensor Required
				$\Delta t$ *1	$^{\circ}\text{F}$ ( $^{\circ}\text{C}$ )	20 (11)	25 (14)	30 (17)	35 (19.5)	40 (22)	
B2HA 88, 311	1	25 (5700)	25 (5700)	System Flow Rate LLH Required LLH Model	GPM (L/h)	29.4 (6677) Yes 120/80	23.52 (5341) Optional 120/80	19.6 (4451) Optional 80/60	16.8 (3815) Optional 80/60	14.7 (3338) Optional 80/60	Supplied

Sizing of Low-Loss Header in a Commercial Multiple-Boiler Application

Boiler Model	No. of Boilers	Boiler Max. Flow Rate	Total Flow Rate	Typical System Flow Rates							Viessmann Low-loss Temp. Sensor Required
				$\Delta t$ *1	$^{\circ}\text{F}$ ( $^{\circ}\text{C}$ )	20 (11)	25 (14)	30 (17)	35 (19.5)	40 (22)	
B2HA 88, 311	2	25 (5700)	50 (11400)	System Flow Rate LLH Required LLH Model	GPM (L/h)	58.8 (13353) Yes 200/100	47.04 (10683) Yes 200/100	39.2 (8902) Yes 160/80	33.6 (7631) Yes 160/80	29.4 (6677) Yes 120/80	Yes
B2HA 88, 311	3	25 (5700)	75 (17100)	System Flow Rate LLH Required LLH Model	GPM (L/h)	88.2 (20030) Yes 250/150	70.56 (16024) Yes 200/120	58.8 (13353) Yes 200/120	50.4 (11446) Yes 200/120	44.1 (10015) Yes 160/80	Yes
B2HA 88, 311	4	25 (5700)	100 (22800)	System Flow Rate LLH Required LLH Model	GPM (L/h)	117.6 (26707) Yes 250/150	94.08 (21366) Yes 250/150	78.4 (17805) Yes 200/120	67.2 (15261) Yes 200/120	58.8 (13353) Yes 200/120	Yes
B2HA 88, 311	5	25 (5700)	125 (28500)	System Flow Rate LLH Required LLH Model	GPM (L/h)	147 (33384) Yes 300/200	117.6 (26707) Yes 250/150	98 (22256) Yes 250/150	84 (19076) Yes 250/150	73.5 (16692) Yes 200/120	Yes
B2HA 88, 311	6	25 (5700)	150 (34200)	System Flow Rate LLH Required LLH Model	GPM (L/h)	176.4 (40060) Yes 300/200	141.12 (32048) Yes 300/200	117.6 (26707) Yes 250/150	100.8 (22892) Yes 250/150	88.2 (20030) Yes 250/150	Yes
B2HA 88, 311	7	25 (5700)	175 (39900)	System Flow Rate LLH Required LLH Model	GPM (L/h)	205.8 (46737) Yes 400/200	164.64 (37390) Yes 300/200	137.2 (31158) Yes 300/200	117.6 (26707) Yes 250/150	102.9 (23369) Yes 250/150	Yes
B2HA 88, 311	8	25 (5700)	200 (45600)	System Flow Rate LLH Required LLH Model	GPM (L/h)	235.2 (53414) Yes 400/200	188.16 (42731) Yes 300/200	156.8 (35609) Yes 300/200	134.4 (30522) Yes 300/200	117.6 (26707) Yes 250/150	Yes

**Note:** for multiple boiler applications when using the Vitodens 200-W, B2HA boilers, refer to the multiple boiler low-loss distribution manifold installation instructions.

\*1 For system  $\Delta t < 20^{\circ}\text{F}$  use low-loss header sizes for  $\Delta t 20^{\circ}\text{F}$ .

**Low-Loss Header Application** *(continued)*

Sizing of Low-Loss Header in a Residential/Commercial Single-Boiler Application

Boiler Model	No. of Boilers	Boiler Max. Flow Rate	Total Flow Rate	Typical System Flow Rates							Viessmann Low-loss Temp. Sensor Required
				$\Delta t$ *1	$^{\circ}\text{F}$ ( $^{\circ}\text{C}$ )	20 (11)	25 (14)	30 (17)	35 (19.5)	40 (22)	
B2HA 100, 352	1	25 (5700)	25 (5700)	System Flow Rate LLH Required LLH Model	GPM (L/h)	33.3 (7563) Yes 120/80	26.6 (6051) Yes 120/80	22.2 (5042) Optional 120/80	19 (4322) Optional 80/60	16.7 (3781.6) Optional 80/60	Supplied

Sizing of Low-Loss Header in a Commercial Multiple-Boiler Application

Boiler Model	No. of Boilers	Boiler Max. Flow Rate	Total Flow Rate	Typical System Flow Rates							Viessmann Low-loss Temp. Sensor Required
				$\Delta t$ *1	$^{\circ}\text{F}$ ( $^{\circ}\text{C}$ )	20 (11)	25 (14)	30 (17)	35 (19.5)	40 (22)	
B2HA 100, 352	2	25 (5700)	50 (11400)	System Flow Rate LLH Required LLH Model	GPM (L/h)	66.6 (15128) Yes 200/120	53.3 (12102) Yes 200/120	44.4 (10085) Yes 160/80	38.1 (8644) Yes 160/80	33.3 (7564) Yes 120/80	Yes
B2HA 100, 352	3	25 (5700)	75 (17100)	System Flow Rate LLH Required LLH Model	GPM (L/h)	100 (22692) Yes 250/150	80 (18153) Yes 200/120	66.6 (15128) Yes 200/120	57 (12967) Yes 200/120	50 (11346) Yes 200/120	Yes
B2HA 100, 352	4	25 (5700)	100 (22800)	System Flow Rate LLH Required LLH Model	GPM (L/h)	133 (30255) Yes 300/200	106.6 (54204) Yes 250/150	89 (20170) Yes 250/150	76 (17289) Yes 200/120	66.6 (15128) Yes 200/120	Yes
B2HA 100, 352	5	25 (5700)	125 (28500)	System Flow Rate LLH Required LLH Model	GPM (L/h)	166.5 (37816) Yes 300/200	133 (30253) Yes 300/200	111 (25211) Yes 250/150	95 (21609) Yes 250/150	83 (18908) Yes 250/150	Yes
B2HA 100, 352	6	25 (5700)	150 (34200)	System Flow Rate LLH Required LLH Model	GPM (L/h)	200 (45383) Yes 400/200	160 (36307) Yes 300/200	133 (30255) Yes 300/200	114 (25933) Yes 250/150	100 (22692) Yes 250/150	Yes
B2HA 100, 352	7	25 (5700)	175 (39900)	System Flow Rate LLH Required LLH Model	GPM (L/h)	233 (52947) Yes 400/200	187 (42377) Yes 300/200	155.4 (35298) Yes 300/200	133 (30255) Yes 300/200	117 (26473) Yes 250/150	Yes
B2HA 100, 352	8	25 (5700)	200 (45600)	System Flow Rate LLH Required LLH Model	GPM (L/h)	266.4 (60510) Yes 450/250	213 (48409) Yes 400/200	178 (40341) Yes 300/200	152 (34578) Yes 300/200	133 (30255) Yes 300/200	Yes

**Note:** for multiple boiler applications when using the Vitodens 200-W, B2HA boilers, refer to the multiple boiler low-loss distribution manifold installation instructions.

\*1 For system  $\Delta t < 20^{\circ}\text{F}$  use low-loss header sizes for  $\Delta t 20^{\circ}\text{F}$ .

**Low-Loss Header Application** *(continued)*

Sizing of Low-Loss Header in a Residential/Commercial Single-Boiler Application

Boiler Model	No. of Boilers	Boiler Max. Flow Rate	Total Flow Rate	Typical System Flow Rates							Viessmann Low-loss Temp. Sensor Required
				$\Delta t$ *1	$^{\circ}F$ ( $^{\circ}C$ )	20 (11)	25 (14)	30 (17)	35 (19.5)	40 (22)	
B2HA 112, 399	1	38 (8600)	38 (8600)	System Flow Rate LLH Required LLH Model	GPM (L/h)	37.5 (8517) Yes 160/80	30 (6814) Optional 120/80	25 (5678) Optional 120/80	21.4 (4867) Optional 120/80	19.5 (4429) Optional 80/60	Supplied

Sizing of Low-Loss Header in a Commercial Multiple-Boiler Application

Boiler Model	No. of Boilers	Boiler Max. Flow Rate	Total Flow Rate	Typical System Flow Rates							Viessmann Low-loss Temp. Sensor Required
				$\Delta t$ *1	$^{\circ}F$ ( $^{\circ}C$ )	20 (11)	25 (14)	30 (17)	35 (19.5)	40 (22)	
B2HA 112, 399	2	38 (8600)	76 (17200)	System Flow Rate LLH Required LLH Model	GPM (L/h)	75 (17034) Yes 200/120	60 (13627) Yes 200/120	50 (11356) Yes 200/120	43 (9734) Yes 200/120	38 (8517) Yes 160/80	Yes
B2HA 112, 399	3	38 (8600)	114 (25800)	System Flow Rate LLH Required LLH Model	GPM (L/h)	113 (25552) Yes 250/150	90 (20441) Yes 250/150	75 (17034) Yes 250/150	64 (14601) Yes 250/150	56 (12776) Yes 200/120	Yes
B2HA 112, 399	4	38 (8600)	152 (34400)	System Flow Rate LLH Required LLH Model	GPM (L/h)	150 (34069) Yes 300/200	120 (27255) Yes 300/200	100 (22712) Yes 250/150	86 (19468) Yes 250/150	75 (17034) Yes 200/120	Yes
B2HA 112, 399	5	38 (8600)	190 (43000)	System Flow Rate LLH Required LLH Model	GPM (L/h)	188 (42586) Yes 300/200	150 (34069) Yes 300/200	125 (28391) Yes 300/200	107 (24335) Yes 250/150	94 (21293) Yes 250/150	Yes
B2HA 112, 399	6	38 (8600)	228 (51600)	System Flow Rate LLH Required LLH Model	GPM (L/h)	225 (51103) Yes 400/200	180 (40882) Yes 400/200	150 (34069) Yes 300/200	129 (29202) Yes 300/200	113 (25552) Yes 300/200	Yes
B2HA 112, 399	7	38 (8600)	266 (60200)	System Flow Rate LLH Required LLH Model	GPM (L/h)	263 (59620) Yes 450/250	210 (47696) Yes 400/200	175 (39747) Yes 300/200	150 (34069) Yes 300/200	131 (29810) Yes 300/200	Yes
B2HA 112, 399	8	38 (8600)	304 (68800)	System Flow Rate LLH Required LLH Model	GPM (L/h)	300 (68137) Yes 450/250	240 (54510) Yes 400/200	200 (45425) Yes 400/200	171 (38936) Yes 300/200	150 (34069) Yes 300/200	Yes

**Note:** for multiple boiler applications when using the Vitodens 200-W, B2HA boilers, refer to the multiple boiler low-loss distribution manifold installation instructions.

\*1 For system  $\Delta t < 20^{\circ}F$  use low-loss header sizes for  $\Delta t 20^{\circ}F$ .

**Low-Loss Header Application** *(continued)*

Sizing of Low-Loss Header in a Residential/Commercial Single-Boiler Application

Boiler Model	No. of Boilers	Boiler Max. Flow Rate	Total Flow Rate	Typical System Flow Rates							Viessmann Low-loss Temp. Sensor Required
				$\Delta t$ *1	$^{\circ}\text{F}$ ( $^{\circ}\text{C}$ )	20 (11)	25 (14)	30 (17)	35 (19.5)	40 (22)	
B2HA 150, 530	1	38 (8600)	38 (8600)	System Flow Rate LLH Required LLH Model	GPM (L/h)	49.5 (11243) Yes 200/120	39.6 (8994) Optional 160/80	33 (7495) Optional 120/80	28 (6424) Optional 120/80	25 (5631) Optional 120/80	Supplied

Sizing of Low-Loss Header in a Commercial Multiple-Boiler Application

Boiler Model	No. of Boilers	Boiler Max. Flow Rate	Total Flow Rate	Typical System Flow Rates							Viessmann Low-loss Temp. Sensor Required
				$\Delta t$ *1	$^{\circ}\text{F}$ ( $^{\circ}\text{C}$ )	20 (11)	25 (14)	30 (17)	35 (19.5)	40 (22)	
B2HA 150, 530	2	38 (8600)	76 (17200)	System Flow Rate LLH Required LLH Model	GPM (L/h)	99 (22487) Yes 250/150	79 (17990) Yes 200/120	66 (14991) Yes 200/120	57 (12850) Yes 200/120	50 (11244) Yes 200/120	Yes
B2HA 150, 530	3	38 (8600)	114 (25800)	System Flow Rate LLH Required LLH Model	GPM (L/h)	149 (33731) Yes 300/200	119 (26985) Yes 300/200	99 (22487) Yes 250/150	85 (19275) Yes 250/150	74 (16865) Yes 200/120	Yes
B2HA 150, 530	4	38 (8600)	152 (34400)	System Flow Rate LLH Required LLH Model	GPM (L/h)	198 (44974) Yes 400/200	158 (35979) Yes 300/200	132 (29983) Yes 300/200	113 (25700) Yes 250/150	99 (22487) Yes 250/150	Yes
B2HA 150, 530	5	38 (8600)	190 (43000)	System Flow Rate LLH Required LLH Model	GPM (L/h)	247.5 (56213) Yes 400/200	198 (44971) Yes 400/200	165 (37476) Yes 300/200	141.4 (32122) Yes 300/200	124 (28107) Yes 300/200	Yes
B2HA 150, 530	6	38 (8600)	228 (51600)	System Flow Rate LLH Required LLH Model	GPM (L/h)	297 (67461) Yes 450/250	237.6 (53969) Yes 400/200	198 (44974) Yes 400/200	170 (38549) Yes 300/200	148.5 (33731) Yes 300/200	Yes
B2HA 150, 530	7	38 (8600)	266 (60200)	System Flow Rate LLH Required LLH Model	GPM (L/h)	346.5 (78705) Yes 450/250	277 (62964) Yes 450/250	231 (52470) Yes 400/200	198 (44974) Yes 400/200	173 (39352) Yes 300/200	Yes
B2HA 150, 530	8	38 (8600)	304 (68800)	System Flow Rate LLH Required LLH Model	GPM (L/h)	396 (89949) Yes 500/300	317 (71959) Yes 450/250	264 (59966) Yes 450/250	226 (51399) Yes 400/200	198 (44974) Yes 400/200	Yes

**Note:** for multiple boiler applications when using the Vitodens 200-W, B2HA boilers, refer to the multiple boiler low-loss distribution manifold installation instructions.

\*1 For system  $\Delta t < 20^{\circ}\text{F}$  use low-loss header sizes for  $\Delta t 20^{\circ}\text{F}$ .

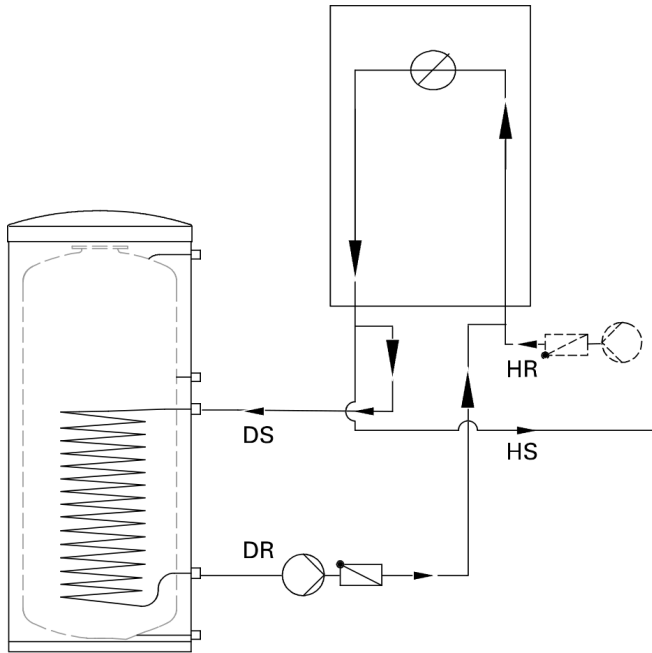


# Domestic Hot Water Production

Vitodens 200-W boilers can be used in conjunction with the stand-alone DHW storage tanks offered by Viessmann.

Size and select the DHW storage tank based on the forecasted DHW consumption of the building in question. For further technical information on DHW storage tanks, see the Vitocell Technical Data Manuals.

For the connection of a stand-alone DHW tank, installation fittings (field supplied), an external circulating pump for DHW production (field supplied) and a DHW temperature sensor (optional equipment, see Viessmann Price List for order information) are required.

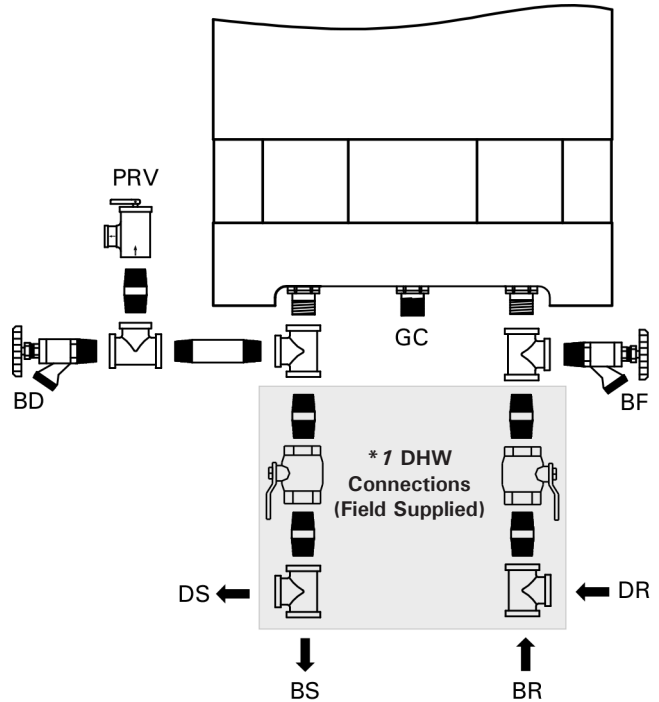


**Legend**

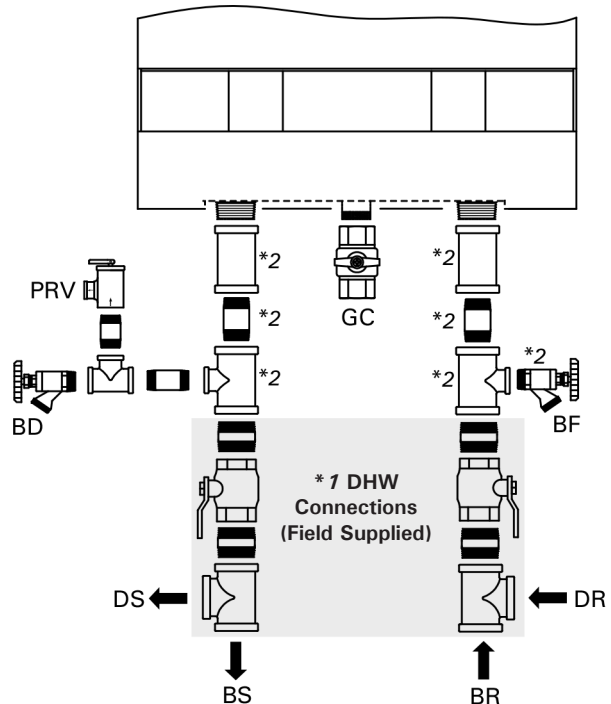
- DR Boiler heating return for domestic hot water production
- DS Boiler heating supply for domestic hot water production
- HR Heating Return
- HS Heating Supply
- BD Boiler Drain
- BR Boiler Return
- BS Boiler Supply
- GC Gas Connection
- PRV Pressure Relief Valve
- BF Boiler Fill
- PG Pressure Gage (not shown)
- \*1 See page 46 for alternate DHW connection.
- \*2 Discard when using the multi-boiler distribution manifold

**IMPORTANT**

An adequately sized pre-charged expansion tank must be used. See Installation Examples for details.

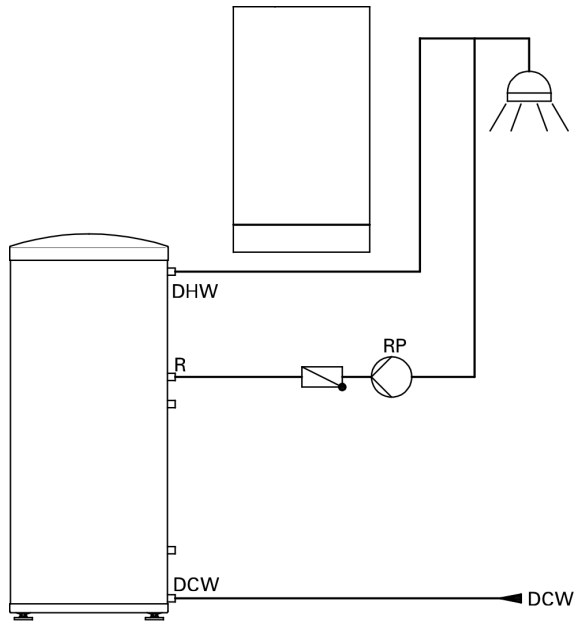


Connections for model B2HA 88, 100, 311, 352



Connections for models B2HA 112, 150, 399, 530

Vitocell stand-alone DHW storage tank



DHW recirculation lines increase the level of comfort and convenience of the domestic hot water supply and reduce water consumption.

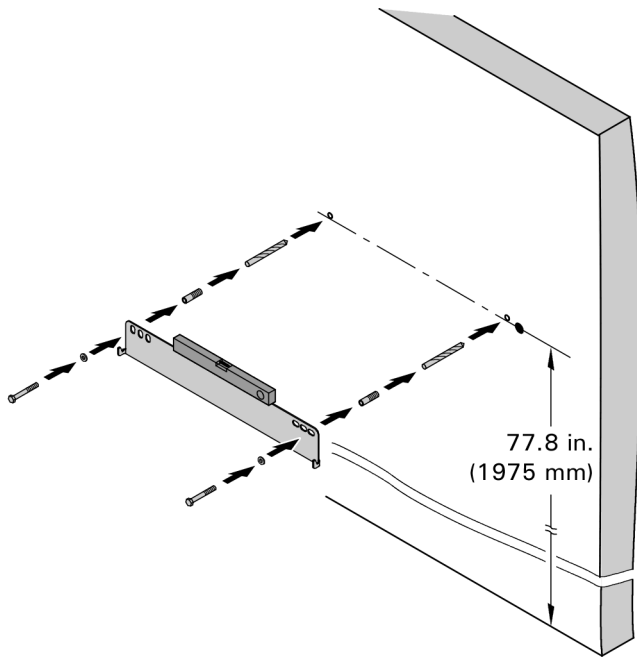
These advantages directly derive from the immediate availability of domestic hot water at all draw points.

Poor insulation of the DHW recirculation line, however, can result in considerable heat loss. Viessmann therefore recommends that effective insulation be provided and used for DHW recirculation lines of 23 ft. (7 m) in length or longer.

**Legend**

- DCW Domestic Cold Water
- DHW Domestic Hot Water
- TPV Temperature and Pressure Relief Valve  
(on tank - not shown)
- R DHW Recirculation Line
- RP DHW Recirculation Pump

**Model B2HA 88, 100, 311, 352 Wall Mount**

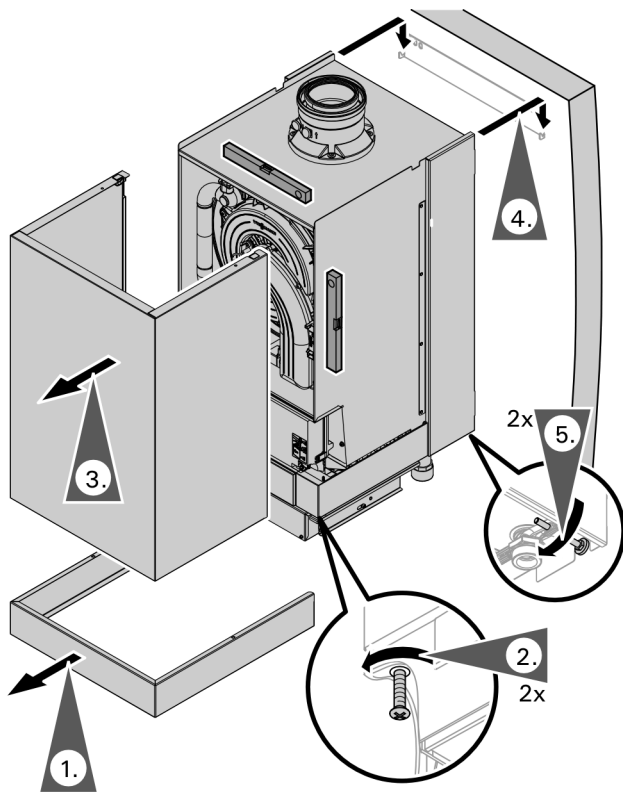


**Fitting the wall mounting bracket**

See the installation instructions applicable to the mounting bracket on each type of material.

**! CAUTION**

Whichever mounting method is used, ensure that the bracket is tightly and securely fastened to wall. Failure to secure boiler properly could cause boiler to loosen, posing a severe safety hazard.

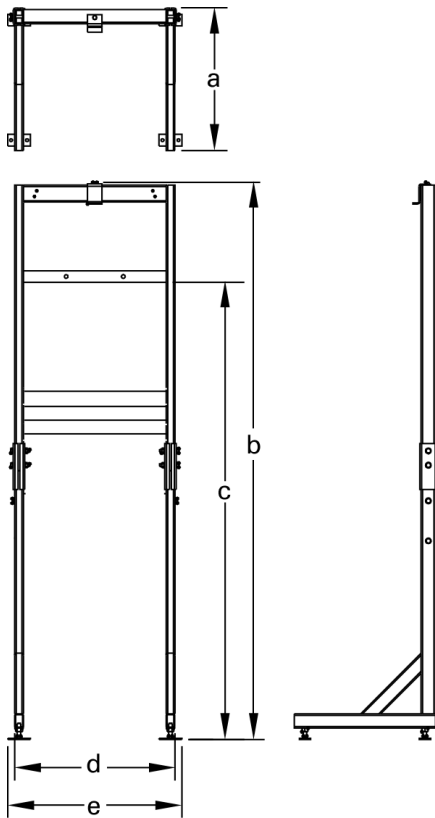


1. Remove the external accessories connection box cover.
2. Loosen the screws at the bottom of the boiler (do not remove completely).
3. Remove the front enclosure panel (lift up and pull away from the boiler).
4. Mount boiler onto the mounting bracket.
5. Adjust the levelling screws to ensure the boiler is level. Place the round bubble level on top of the boiler to verify.
6. Connect the boiler to the installation fittings.

**! CAUTION**

The boiler must be level both vertically and horizontally to ensure proper draining of the condensate.

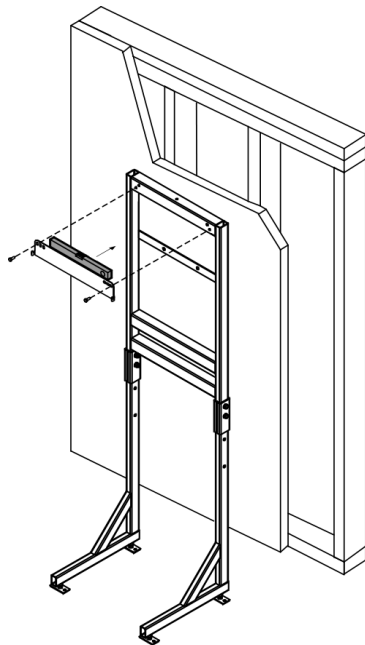
**Boiler Stand for B2HA 88, 100, 311, 352**



The boiler stand is used for free-standing installation of a single boiler within the mechanical room.

When using the boiler stand, ensure that the stand is securely fastened to the floor (recommended concrete expansion anchors are Hilti model KB-TZ 3/8 x 4 or equivalent).

a	in. (mm)	19 <sup>5</sup> / <sub>8</sub> (500)
b	in. (mm)	76 <sup>3</sup> / <sub>4</sub> ±1/2 (1950±12.7)
c	in. (mm)	63±1/2 (1600±12.7)
d	in. (mm)	22 (560)
e	in. (mm)	24 (610)

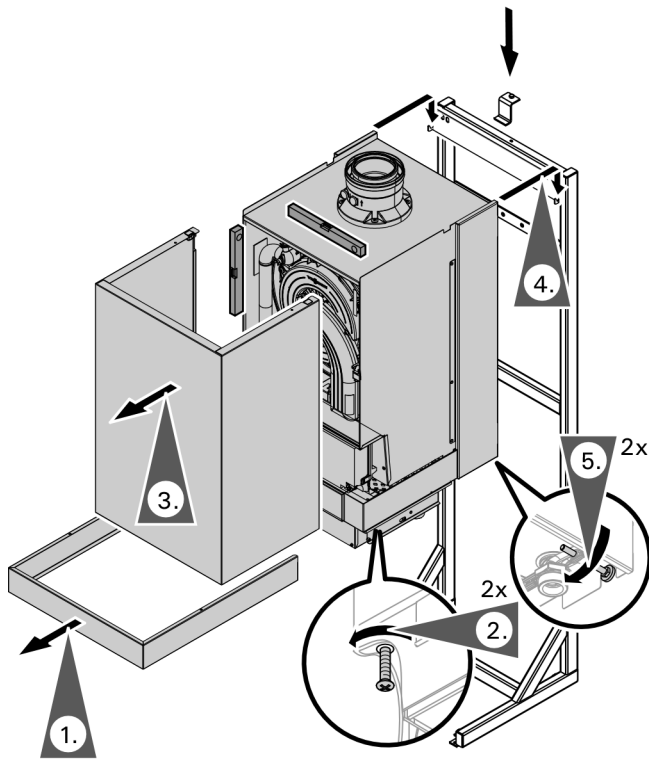


The Vitodens 200-W, model B2HA does not come with a mounting template. The wall location for the frame, mounting bracket and all vents must be field calculated.

**Boiler mounting bracket and frame**

1. Attach the wall mounting bracket (supplied with the boiler) to the boiler mounting frame using the supplied hardware. Ensure that the wall mounting bracket is level.
2. Move the rack into position and secure to the floor (and to the wall if needed).

**Boiler Stand for B2HA 88, 100, 311, 352** *(continued)*

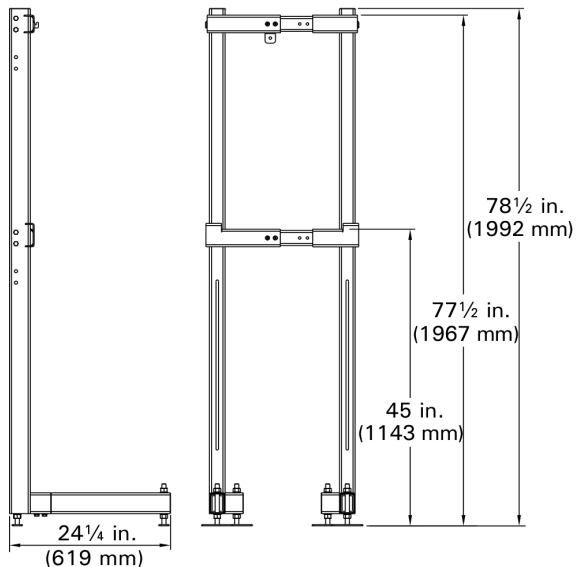
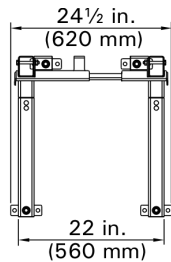


1. Remove the external accessories connection box cover.
2. Loosen the screws at the bottom of the boiler (do not remove completely).
3. Remove the front enclosure panel (lift up and pull away from the boiler).
4. Mount boiler onto the mounting bracket and ensure the boiler is securely mounted. Then install the holding bracket to the frame on top of the boiler.
5. Adjust the levelling screws to ensure the boiler is level.
6. Connect the boiler to the installation fittings.

**CAUTION**

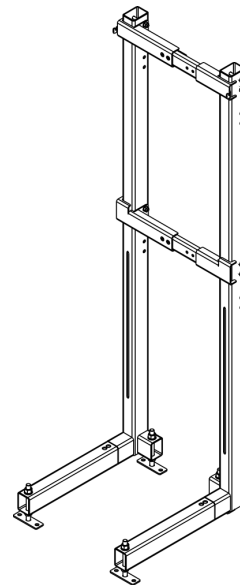
The boiler must be level both vertically and horizontally to ensure proper draining of the condensate.

**Boiler Stand for B2HA 112, 150, 399, 530**



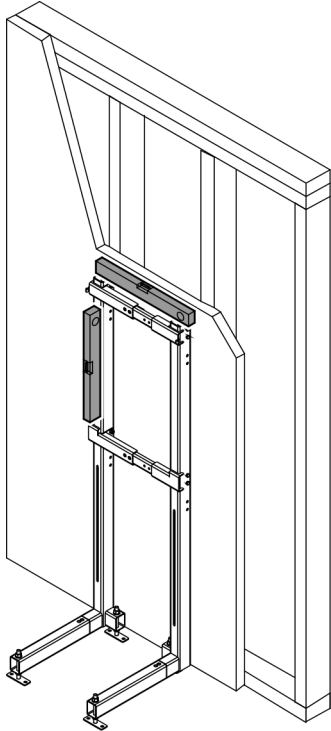
The boiler stand is used for free-standing installation of a single boiler within the mechanical room.

When using the boiler stand, ensure that the stand is securely fastened to the floor (recommended concrete expansion anchors are Hilti model KB-TZ 3/8 x 4 or equivalent).



**Models B2HA 112, 150, 399, 530** *(continued)*

The Vitodens 200-W, model B2HA does not come with a mounting template. The wall location for the frame, mounting bracket and all vents must be field calculated.

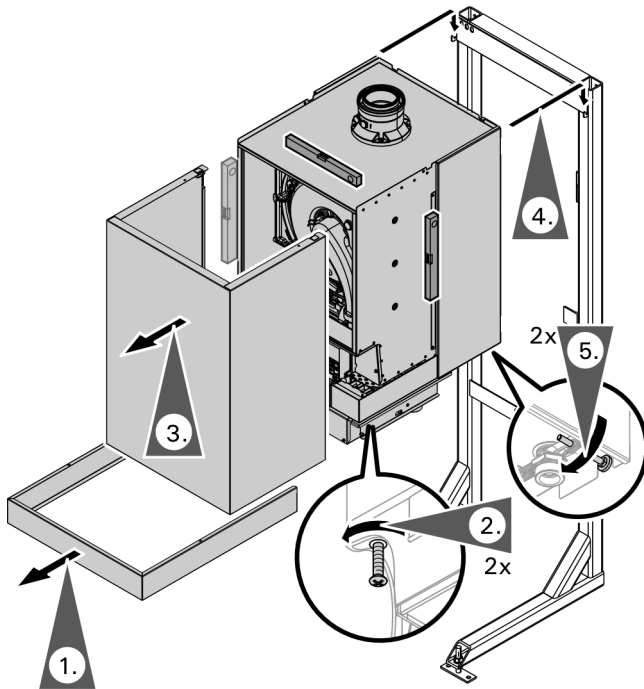


**Boiler mounting bracket and frame**

1. Attach the wall mounting bracket (supplied with the boiler) to the boiler mounting frame using the supplied hardware. Ensure that the wall mounting bracket is level.
2. Move the rack into position and secure to the floor (and to the wall if needed).

**IMPORTANT**

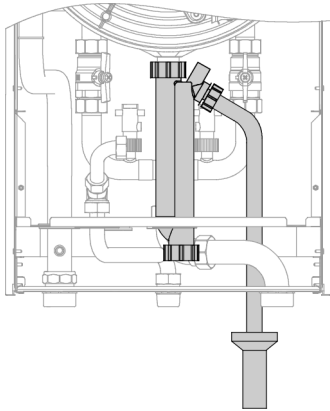
When using the boiler restraint brackets, follow the instructions supplied with the restraints prior to installing the mounting bracket.



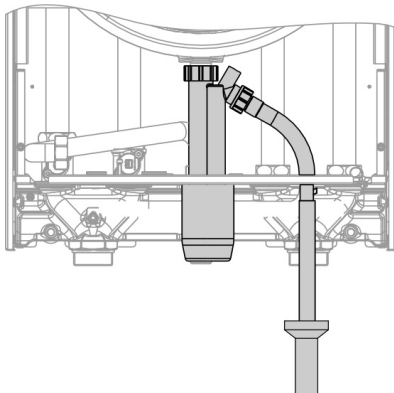
1. Remove the external accessories connection box cover.
2. Loosen the screws at the bottom of the boiler (do not remove completely).
3. Remove the front enclosure panel (lift up and pull away from the boiler).
4. Mount boiler onto the mounting bracket and ensure the boiler is securely mounted.
5. Adjust the levelling screws to ensure the boiler is level.
6. Connect the boiler to the installation fittings.

**CAUTION**  
The boiler must be level both vertically and horizontally to ensure proper draining of the condensate.

## Condensate Connection



Condensate Connection for Vitodens 200-W, models B2HA 88, 100, 311, 352



Condensate Connection for Vitodens 200-W, models B2HA 112, 150, 399, 530

Install the condensate drain pipe with a suitable gradient. Discharge condensate from the boiler into the drainage system, either directly or (if required) via a neutralization unit (accessory).

### IMPORTANT

Pipe ventilation must take place between the siphon trap and the neutralization unit (if applicable).

### Condensate Drainage and Neutralization

The condensate formed both in the condensing boiler and in the flue gas pipe must be discharged into the public sewage system in accordance with all applicable local regulations. The condensate produced by a gas-fired heating system has a pH value between 3 and 4.

Some local codes may require the use of a separate neutralization unit to treat the aggressive and corrosive nature of the condensate. With a neutralization unit installed, all condensate from the boiler and the flue gas pipe enters into the neutralization unit where it is treated and released into the public sewage system with a safe pH value of above 6.5.

The use of neutralization granulate (performing the neutralizing process) is dependent on the operation of the heating system. To determine the required refill amount, check granulate level several times during the first year of operation. In some cases one granulate fill may last an entire year.

Contact Viessmann to order a neutralization unit for the Vitodens 200-W boiler.

See Viessmann Price List for order information.

The condensate discharge outlet to the drainage system connection must be clearly visible. It must be installed with a suitable gradient and provided with a stretch trap. If the condensate outlet of the Vitodens 200-W boiler is lower than the drain, a condensate pump must be used.

Only corrosion-resistant materials must be used for condensate drainage purposes (e.g. braided hose). Do not use galvanized materials or materials containing copper for piping, couplings etc.

The condensate drain must have a trap to prevent flue gas leakage.

Please note that other requirements might apply depending on local regulations and/or project-specific details.

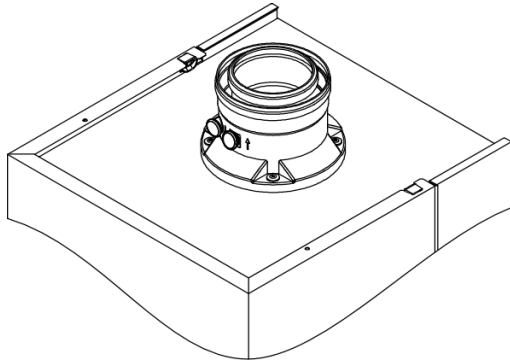
It is advisable to contact your local waterworks office (authority responsible for waste water regulations) well before commencing with the installation of the neutralization unit in order to establish details of local regulations that apply.

The following table shows the concentration of (effluent) substances (e.g. heavy metals) contained in the waste water from the Vitodens 200-W condensing boiler.

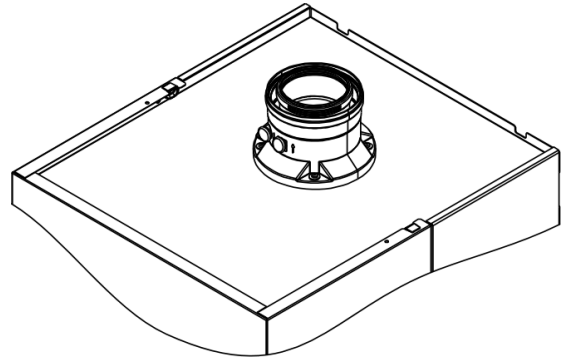
Condensate (effluent) substances	Values measured in mg/L Vitodens 200-W
Lead	< 0.01
Cadmium	< 0.005
Chromium	< 0.01
Copper	< 0.01
Nickel	< 0.01
Zinc	< 0.05
Tin	< 0.05

## Venting Options

For detailed information refer to the Installation Instructions for the Vitodens 200-W, B2HA Venting System.



Vent Connection, models B2HA 88, 100, 311, 352



Vent Connection, models B2HA 112, 150, 399, 530

## Electrical Connections

### Power Supply

The Vitodens 200-W requires a 120VAC power supply from a wall receptacle (15A fuse protected circuit). Refer to the Installation Instructions for wiring details or reference the "Overview of Electrical Connections" on pages 47 and 49 of this manual.

### Power Supply Connection of Accessories

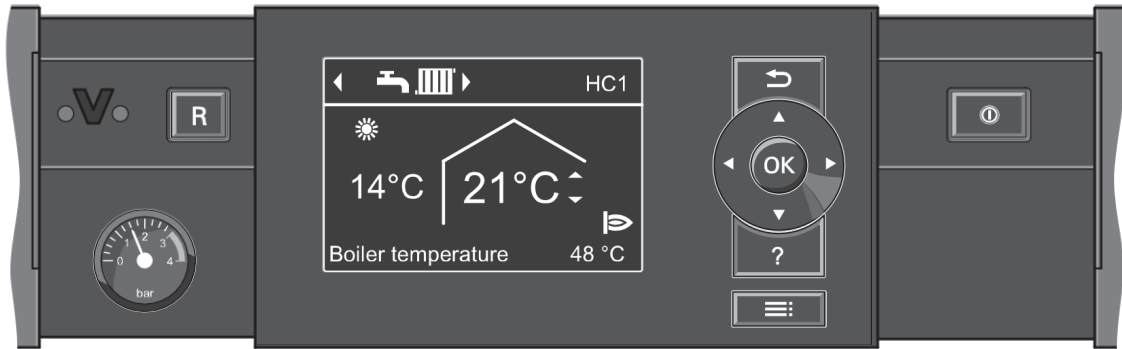
The power supply connection of accessories can be made directly at the boiler control. The connection is activated and deactivated with the system on/off switch. The mixing valve accessory kit and additional extension modules (if used) will require a separate 120 VAC power supply from the wall receptacle.

### Wire cabling required for:

- Outdoor temperature sensor
- Vitotronic 200-H, HK1B mixing valve control
- Accessory kit for heating circuit with mixing valve
- Vitotrol 200A remote control
- Vitotrol 300A remote control
- Remote switching of operating mode
- Remote disable
- Alarm output



## On-Board Vitotronic 200, HO1B Control

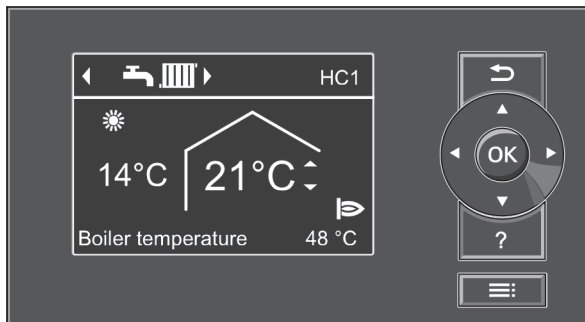


### Modular structure

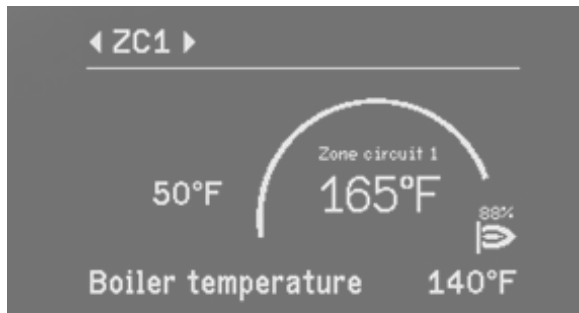
The control unit is integrated into the boiler. The control unit comprises a standard unit, electronics modules and a programming unit.

#### Standard unit:

- ON/OFF switch
- Optolink laptop interface
- Operating and fault indicators
- Reset button
- Fuses



Heating circuit interface



Zone control interface

### Programming unit:

- Easy operation through:
  - Plain text display with graphic ability
  - Large font and black & white depiction for good contrast
  - Context-sensitive help text
  - Removable programming unit; can be mounted on the wall with separate accessory
- With digital time switch
- Control keys for:
  - Navigation
  - Confirmation
  - Help and additional information
  - Menu
- Setting the:
  - Room temperature
  - Reduced room temperature
  - DHW temperature
  - Heating program
  - Time programs for central heating, DHW heating and DHW recirculation
  - Economy mode
  - Party mode
  - Holiday program
  - Heating curves
  - Codes
  - Actuator tests
  - Test mode
- Displaying the:
  - Boiler water temperature
  - DHW temperature
  - Operating details
  - Diagnostic details
  - Fault messages

## Design and Function

### Functions

- Weather-compensated control of the boiler water and/or supply temperature
- Control of one heating circuit without mixer and two heating circuits with mixer
- Electronic maximum and minimum temperature limit
- Demand-dependent heating circuit pump and burner off control
- Adjustment of a variable heating limit
- Anti-seizing pump protection
- Heating system frost protection
- Integral diagnostic system
- Maintenance display
- DHW heating with priority
- Control of solar DHW heating and central heating backup in conjunction with the solar control module, type SM1
- Display of the solar energy yield
- Auxiliary function for DHW heating (short-term heating to a higher temperature)
- External starting and blocking (in conjunction with extension EA1)

To reduce the heat-up output, the reduced room temperature will be raised in case of low outside temperatures. The supply temperature will be raised for a limited time to reduce the heat-up time after a setback phase.

### Control characteristics

PI characteristics with modulating output.

### Time switch

Digital time switch (integrated into the programming unit)

- Individual day and seven-day program
- Automatic summer/wintertime changeover
- Automatic function for DHW heating and DHW recirculation pump
- Time, day and standard switching times for central heating, DHW heating and the DHW recirculation pump are factory-set
- Switching times are individually programmable, i.e. up to four switching periods per day  
Shortest switching interval:..... 10 minutes  
Power reserve: .....14 days

### Setting the operating programs

The heating system frost protection (see frost protection function) applies to all heating programs.

The following heating programs can be selected:

- Zone circuits
- Heating and DHW
- Only DHW
- Standby mode

External heating program changeover in conjunction with EA1 extension.

### Frost protection function

- The frost protection function will be started when the outside temperature drops below approx. 34°F (1°C). With the frost protection function, the heating circuit pump will be switched ON and the boiler water is maintained at a lower temperature of approximately 68°F (20°C). The DHW tank will be heated to approximately 68°F (20°C).
- The frost protection function will be stopped when the outside temperature rises above approximately 37°F (3°C) (default settings).

### Summer Operation

Heating program “”

The burner is only activated upon a call for domestic hot water from the DHW storage tank (controlled by DHW tank temperature sensor).

**Design and Function** *(continued)*

**Technical Data**

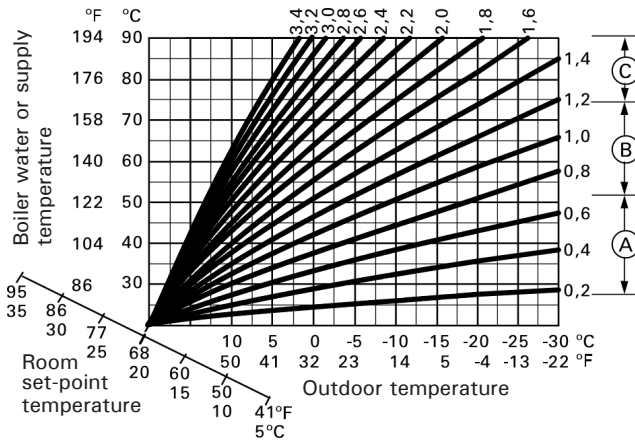
Rated supply voltage:	120VAC
Rated frequency:	60 Hz
Rated current:	12A
Max. ambient temp.	
- during operation:	32°F to 104°F (0°C to 40°C)
Installation in living space or boiler rooms (standard ambient conditions)	
- during storing or transporting:	-4°F to + 149°F (-20°C to + 65°C)
Electronic temperature controller setting (heating mode) (can not be changed)	
Models B2HA 88 to 530	185°F (85°C)
Setting range for the DHW temperature	50°F to 154°F (10°C to 68°C)
Heating curve setting	
- Heating curve slope:	0.2 to 3.5
- Heating curve shift:	-13 to 40 K

**Heating Curve Adjustment (slope and shift)**

The control unit regulates the boiler water temperature (= supply temperature of heating circuit without mixing valve) and the supply temperature of the heating circuit with mixing valve (in conjunction with the accessory kit for a heating circuit with mixing valve) according to the outdoor temperature. The boiler water temperature is automatically raised by 0 to 72 F / 0 to 40 K higher than the currently required set supply temperature (in the factory default setting the differential temperature is 14.4 F / 8 K). See Start-up/Service Instructions for coding address "9F" in coding level 2.

The supply temperature that is required to achieve a given room temperature depends on the heating system and the thermal insulation of the building that is being heated.

The adjustment of the two heating curves is used to match the boiler water temperature and the supply temperature to these conditions. The boiler water temperature is limited upwards by the fixed high limit and the temperature set for the electronic high limit. The supply temperature cannot rise above the boiler water temperature.



**Legend**

- (A) Low temperature heating system, e.g. radiant floor heating
- (B) Medium temperature heating system, e.g. cast iron radiation, staple-up radiant floor heating
- (C) High temperature heating system, e.g. fintube radiation, fan coils

**Design and Functions** *(continued)*

**Boiler Temperature Sensor**

The boiler temperature sensor is connected at the control unit for weather-responsive operation and is built into the boiler.

- Max. ambient temp.
- at operation: 32°F to 266°F (0°C to 130°C)
  - when storing or transporting: -4°F to +158°F (-20°C to +70°C)

**DHW Tank Temperature Sensor**

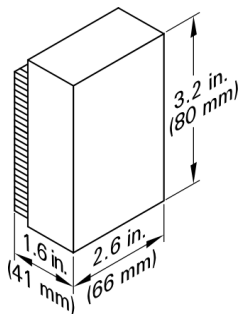
Supplied with:

- Cable length approximately 13 ft. (3.75 m), ready to plug in
- All pipe connections are field supplied.

Specification:

- Max. ambient temp.
- at operation: 32°F to 194°F (0°C to 90°C)
  - when storing or transporting: -4°F to +158°F (-20°C to +70°C)

**Outdoor Temperature Sensor**



Sensor location:

- North or northwest wall of building
- 6.6 to 8.2 ft. (2 to 2.5 m) above ground or in case of a multi-storey building approximately halfway up the second floor

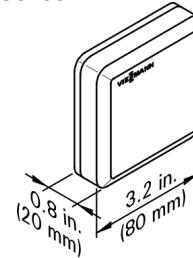
Electrical connection:

- 2-wire cable, max. cable length 115 ft. (35 m) with a wire size of min. AWG 16 copper
- Cable to the outdoor sensor must not be laid near line voltage wiring (120/240V)

Max. ambient temperature during transport, storage and operation:

- 40°F to 194°F (-40°C to 90°C)

**Room Temperature Sensor**



Separate room temperature sensor as supplement to the Vitotrol and 300A; to be used if the 300A cannot be installed inside the main living room or in a suitable position where the unit can capture and adjust the temperature.

Installation in the main living room on an internal wall opposite radiators. Never install inside shelf units, recesses, immediately by a door or heat source (e.g. direct sunlight, fireplace, TV set, etc.).

Connect the room temperature sensor to the Vitotrol 300A.

Electrical connection:

- 2-wire cable with a wire size of min. AWG 18 copper
- The cable length between the control unit, remote control unit and room temperature sensor must not exceed 98 ft. (30 m)

Max. ambient temp.

- at operation: 32°F to 104°F (0°C to 40°C)
- when storing or transporting: -4°F to +149°F (-20°C to +65°C)

**Immersion Temperature Sensor**

To capture the low loss temperature

Specification

Lead length fully wired: 12 ft. (3.75 m),

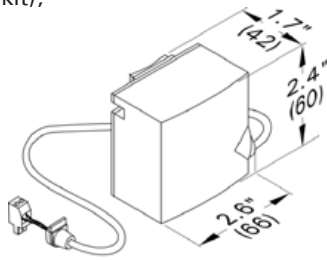
Permissible ambient temp.

- during operation: 32°F to 194°F (0°C to 90°C)
- during storage and transport: -4°F to +158°F (-20°C to +70°C)

**Vitotronic Control Accessories**

**Supply Temperature Sensor**

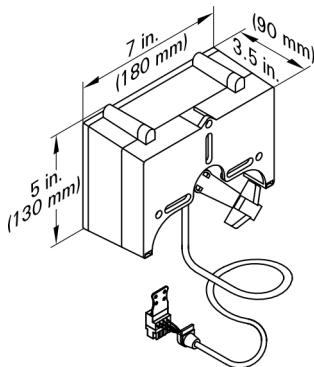
(strap-on sensor, included with mixing valve actuator accessory kit),



Installed with a strapping band.  
Cable length 19.7 ft. (6 m), ready to plug in.  
Max. ambient temperature

- at operation: 32°F to 212°F (0°C to 100°C)
- when storing or transporting: -4°F to +149°F (-20°C to +70°C)

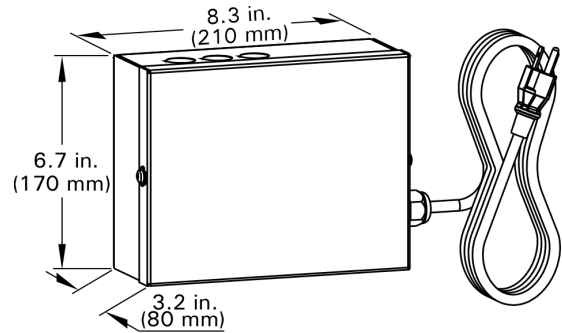
**Mixing Valve Actuator Kit**



The mixing valve actuator is mounted directly on the Viessmann 3/4 to 2 1/2 in. mixing valve. The mixing valve actuator is a motor-driven control unit. The rotational direction is reversible. The mixing valve actuator comes with a plug-in connector for a heating circuit pump, supply temperature sensor (strap-on sensor with 7 ft. (2.1 m) connecting cable), power supply connecting cable 9 ft. (2.7 m) and a connecting cable 9 ft. (2.7 m) for the KM-BUS Expansion Module.

- Rated voltage: 120VAC
- Rated frequency: 60 Hz
- Rated current: 4A
- Power consumption: 5W max. ambient temperature
- at operation: 32°F to 104°F (0°C to 40°C)
- application in living areas and installation sites (normal ambient conditions)
- storage & shipping: -4°F to 149°F (-20°C to 65°C)
- Max. relay outputs at 120VAC for:
  - Heating circuit pump: 1.0 A
  - Mixing valve: 0.2 A

**Mixing Valve Extension Module**



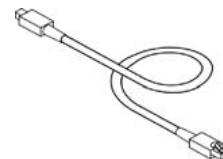
- Rated voltage: 120VAC
- Rated frequency: 60 Hz
- Rated current: 2A
- Power consumption: 4W
- Max. ambient temp.
  - at operation: 32°F to 104°F (0°C to 40°C)
  - when storing or transporting: -4°F to +149°F (-20°C to +65°C)
- Relay output for heating circuit pump: 2A, 120VAC
- Actuator torque: 2.2 lb.ft (3 Nm)
- Time of 90°: 2 minutes

**LON Communication Module**

Electronic PCB for data exchange with the Vitotronic 200-H, Vitocom 200 and for connecting to a higher level building management system.

**LON Connecting Cable**

(for data exchange between control units)  
Cable length 23 ft. (7 m), fully wired



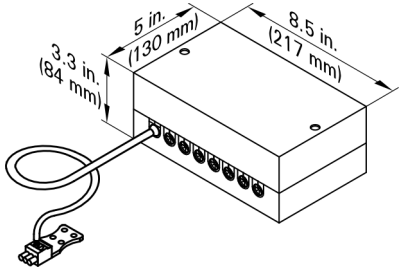
**LON Terminal End Resistor**

To terminate the LON BUS at the first and the last control unit.

## Vitotronic Control Accessories *(continued)*

### KM BUS Expansion Module

To connect 2 to 9 devices (mixing valve actuator, Vitotrol, input module, etc.) to the single KM BUS connection of the boiler.

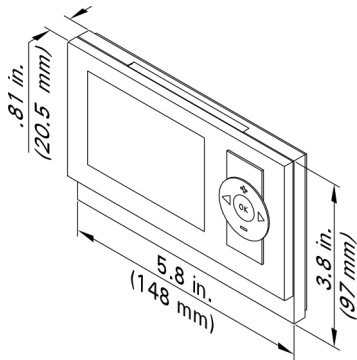


#### Specification

Lead length:	10 ft. (3.0 m), fully wired
Max. ambient temp.	
- at operation:	32°F to 104°F (0°C to 40°C)
- when storing or transporting:	-4°F to +149°F (-20°C to +65°C)

### Vitotrol 200A

One Vitotrol 200A can be used for every heating circuit in a heating system. The Vitotrol 200A can regulate one heating circuit and up to two remote controls may be connected to the control unit.



#### KM BUS Participant

The Vitotrol 200A remote control regulates the required set room temperature in standard mode, from any room in the house.

- Party and economy mode can be enabled via keys
  - Only for heating circuit with mixing valve
- Fitted room temperature sensor for room temperature hook-up

### Vitotrol 200A (continued)

WS function:

Installation anywhere in the building.

RS function:

**Note:** Never activate the RS function for underfloor heating circuits (inertia). In heating systems with a heating circuit without mixing valve and heating circuits with mixing valve, the RS function must only affect the heating circuit with mixing valve.

Room temperature hook-up:

Installation in the main living room on an internal wall opposite radiators. Never install inside shelf units, recesses, immediately by a door or heat source (e.g. direct sunlight, fireplace, TV set, etc.).

The integral room temperature sensor captures the actual room temperature and effects any necessary corrections of the supply temperature as well as a rapid heat-up at the start of the heating operation (if appropriately programmed).

Connection:

- 2-core lead, length max. 50 m (even if connecting several remote control units)
- Never route this lead immediately next to 120/208/460V cables
- LV plug as standard delivery

Specification:

Power supply via KM BUS	
Power consumption	0.2W
Max. ambient temp.	
- at operation:	32°F to 104°F (0°C to 40°C)
- when storing or transporting:	-4°F to +149°F (-20°C to +65°C)

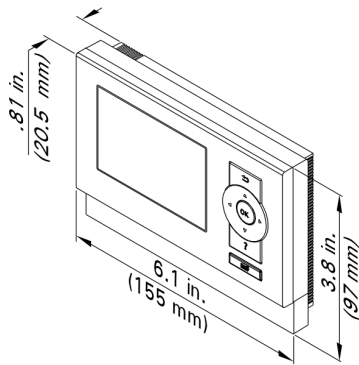
Set room temp. range: 37°F to 99°F (3°C to 37°C)

The set room temperature for reduced mode is adjusted at the control unit.

**Vitotronic Control Accessories** *(continued)*

**Vitotrol 300A**

One Vitotrol 300A can be used for every heating circuit in a heating system. The Vitotrol 300A can regulate up to three heating circuits. Up to two remote controls may be connected to the control unit.



**KM BUS Participant**

The Vitotrol 300A remote control regulates the required set room temperature for one heating circuit in standard and reduced mode, the heating program and the switching times for central heating, DHW heating and the DHW circulation pump.

**Displaying:**

- Room temperature
- Outside temperature
- Heating program
- Operating condition
- Solar yield as graphic display

**Settings:**

- Set room temperatures for standard mode (day temperature) and reduced mode (night temperature) via the standard display
- Heating program, switching times for heating circuits, DHW heating and DHW circulation pump plus further settings via plain text menu on the display
- Party and economy mode can be enabled via the menu
- Only for heating circuit with mixer:  
Fitted room temperature sensor for room temperature hook-up

**Note:** For room temperature hook-up, the Vitotrol 300A must be installed in the main living room (lead room).

**WS function:**

Installation anywhere in the building.

**RS function:**

Installation in the main living room on an internal wall opposite radiators. Never install inside shelving units, in recesses, or immediately by a door or heat source (e.g. direct sunlight, fireplace, TV set, etc.). The fitted room temperature sensor captures the actual room temperature and effects any necessary correction of the flow temperature.

**Vitotrol 300A** (continued)

**Connection:**

- 2-core lead, length max. 164 ft. (50 m) (even if connecting several remote control units)
- Never route this lead immediately next to 120/208/460V cables
- LV plug as standard delivery must be installed in the main living room (lead room).

**Specification:**

Power supply via KM BUS

Power consumption 0.2W

Max. ambient temp.

- at operation: 32°F to 104°F (0°C to 40°C)

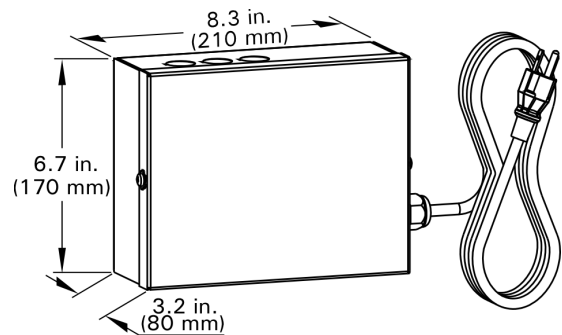
- when storing

or transporting: -4°F to + 149°F (-20°C to + 65°C)

Set room temp. range 37°F to 99°F (3°C to 37°C)

The set room temperature for reduced mode is adjusted at the control unit.

**AM1 Extension Module**



Rated voltage: 120VAC

Rated frequency: 60 Hz

Rated current: 4A

Power consumption: 1.5W

Max. ambient temp.

- at operation: 32°F to 104°F (0°C to 40°C)

- when storing

or transporting: -4°F to + 149°F (-20°C to + 65°C)

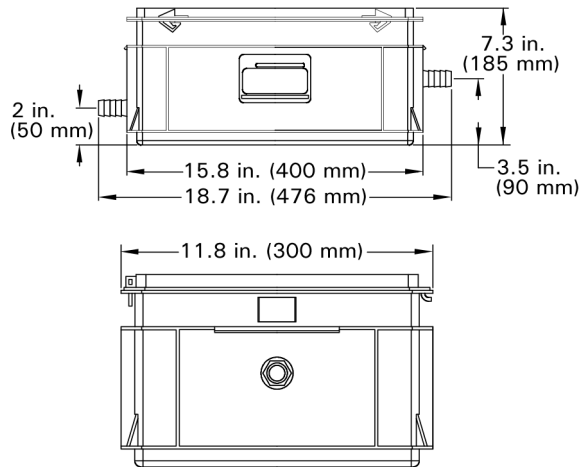
- Relay output for

pump: 2A, 120VAC

## Accessories for Vitodens 200-W

### Neutralization Unit for Single-Boiler Applications with neutralizing granulate

for models B2HA 88, 100, 112, 150, 311, 352, 399, 530



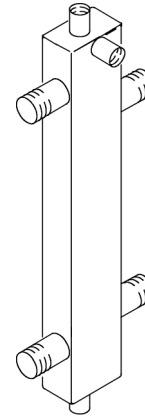
### Neutralization Pellets

for models B2HA 88, 100, 112, 150, 311, 352, 399, 530, 8 kg for refill or replacement purposes

### Fuel Conversion Label Kit (NG > LPG)

(included in boiler technical literature set)  
The Vitodens 200-W, B2HA boiler comes factory set for operation with natural gas. All B2HA models can be field converted to operate with liquid propane gas (as well as back to natural gas as required). The kit includes instructions and labels for field conversion.

### Low-Loss Header



When used in conjunction with the Vitodens 200-W boiler, the low-loss header acts as hydraulic break, decoupling boiler and system circuits from each other. It is recommended to use the low-loss header in applications in which the total system flow rate exceeds the maximum (or minimum) boiler flow rate. For maximum boiler flow rates, see page 9 of this manual.

Viessmann strongly recommends the use of a low-loss header in cases where the system head and flow rates are unknown.

The temperature sensor connection [TS] typically located at the top of the low-loss header ensures low return temperatures to the Vitodens 200-W boiler at all times, increasing operational efficiency.

In addition, the low-loss header helps eliminate air and debris [D] from the heating system.

See illustrations for design and principle of operation.

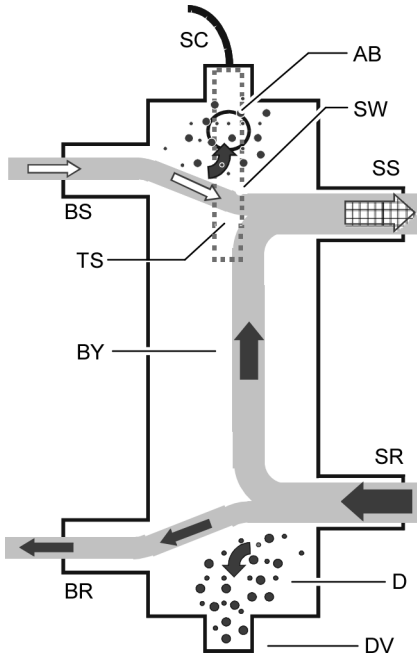
The low-loss header is available in the following sizes. Select the size based on the maximum system flow rate of your application.



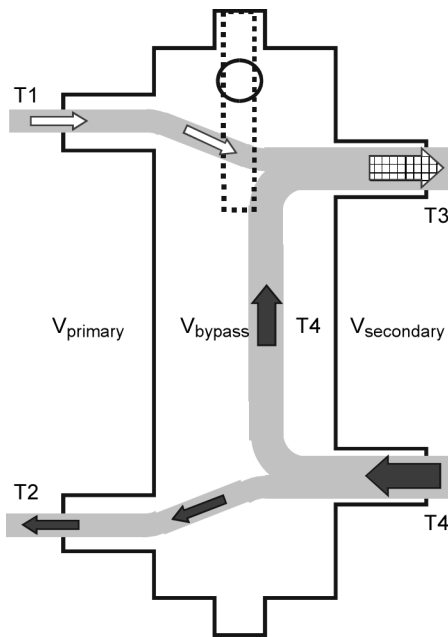
**Accessories for Vitodens 200-W** (continued)

Low-Loss Header (continued)

Low-loss header design (Type 80/60 or 120/80)



Principle of Operation



**IMPORTANT**

Use only a Viessmann supplied temperature sensor. Do not use any other manufacturer's temperature sensor.

Legend

- AB Air Bleed
- BR Boiler Return
- BS Boiler Supply
- BY Bypass (with laminar flow)
- D Debris and/or air
- DV Drain Valve
- SC Sensor Cable
- SR System Return
- SS System Supply
- TS Viessmann Temperature Sensor
- SW Sensor Well

**IMPORTANT**

When installing a low-loss header, the system mixed supply temperature (T3) must be calculated as follows:

$$T3 = \frac{T1 \times V_{primary} + T4 \times V_{bypass}}{V_{secondary}}$$

Legend

- T1 Boiler supply temperature
- T2 Boiler return temperature
- T3 System supply temperature
- T4 System return temperature
- Vprimary Boiler circuit flow rate
- Vsecondary Heating circuit flow rate
- Vbypass Bypass flow rate
- Qprimary Heat supplied by boiler
- Qsecondary Heat consumed by system

$V_{primary} < V_{secondary}$

$T1 > T3$

$T2 = T4$

$Q_{primary} = Q_{secondary}$

$T1 \ 167^{\circ}F \ (75^{\circ}C)$

$V_{secondary} = V_{primary} + V_{bypass}$

Model No.	Max. system flow rate
Type 80/60	19.5 GPM / 4.5 m <sup>3</sup> /h
Type 120/80	35.2 GPM / 8 m <sup>3</sup> /h
Type 160/80 *1	44 GPM / 10 m <sup>3</sup> /h
Type 200/120 *1	80 GPM / 18 m <sup>3</sup> /h

\*1 Floor-mounted version (typically used for multiple-boiler installations).

## Standard Equipment

The Vitodens 200-W gas-fired condensing boiler with Inox-Radial heat exchanger, modulating MatriX cylinder burner for liquid propane gas and natural gas (available on all models), comes standard with:

- pressure gauge
- installation fittings with 30 psig pressure relief valve
- boiler control unit with outdoor temperature sensor, electrical junction box
  - The boiler comes pre-wired and fully piped internally for field connections and pre-wired.
  - Venting material (coaxial) is to be supplied by others. Side wall vent installations must include a protective screen!
  - Enclosure finish: black steel, powder-coated white
  - The Vitodens 200-W comes ready for use with natural gas and can be fuel converted to liquid propane gas in the field.
  - Electrical junction box

### Wall mounting componentry

The following wall mounting components are supplied with the Vitodens 200-W boiler:

- Mounting bracket
- Mounting bolts
- Installation fittings
- Screws for mounting bracket on
  - wood studs (2 in. x 4 in.)
  - metal studs
  - brick/concrete wall

## Combustion Management System

The combustion management system utilizes the physical correlation between the level of the ionization current and the air factor  $\lambda$ . For all gas qualities, the maximum ionization current results with air factor  $\lambda$ .

The ionization signal is evaluated by the combustion management system, and the air factor is adjusted to between  $\lambda = 1.24$  and  $1.44$ . This range provides for an optimum combustion quality. Thereafter, the electronic gas valve regulates the required gas volume based on the prevailing gas quality.

To check the combustion quality, the CO<sub>2</sub> content or the O<sub>2</sub> content of the flue gas is measured. The actual values enable the prevailing air factor to be determined.

The relationship between the CO<sub>2</sub> or O<sub>2</sub> content and air factor  $\lambda$  is illustrated in the table below.

To achieve an optimum combustion control, the system regularly performs an automatic self-calibration; also after a power failure (shutdown). For this, the combustion is briefly regulated to max. ionization current (equals air factor  $\lambda = 1$ ). The automatic calibration is performed shortly after the burner starts and lasts approximately 5 seconds.

During the calibration, higher than normal CO emissions may occur briefly.

Air factor  $\lambda$  - CO<sub>2</sub>/O<sub>2</sub> content

Air factor $\lambda$	O <sub>2</sub> content (%)	CO <sub>2</sub> content (%) for natural gas	CO <sub>2</sub> content (%) for liquid propane gas
1.20	3.8	9.6	11.3
1.24	4.4	9.2	10.9
1.27	4.9	9.0	10.6
1.30	5.3	8.7	10.3
<b>1.34</b>	<b>5.7</b>	<b>8.5</b>	<b>10.0</b>
1.37	6.1	8.3	9.8
1.40	6.5	8.1	9.6
1.44	6.9	7.8	9.3
1.48	7.3	7.6	9.0

The Vitodens 200-W, B2HA boilers come equipped with Lambda Pro, the industry's first intelligent combustion management system.

## Hydraulic Connection

### System design

Viessmann condensing boilers can generally be installed in any pumped hot water heating system (closed system). The circulation pump is an integral part of the appliance. Minimum system pressure 14 psi (1.0 bar). The boiler water temperature is limited to 185°F (85°C) for models 88 to 530. To minimise distribution losses, we recommend that you size the heat distribution system to a max. supply temperature of 158°F (70°C).

To reduce burner cycling in low energy houses with a correspondingly low heat demand, we recommend the use of a low loss header.

## Installation Examples

Please note that in the following piping layout examples, all pumps are field supplied.

### IMPORTANT

The examples on the following pages depict possible piping layouts of the Vitodens 200-W boiler equipped with Viessmann System Technology.

For boiler and tank combinations, please install only feasible combinations listed in the Viessmann Price List.

Please note that the following examples are simplified conceptual drawings only!

Piping and necessary componentry must be field verified. A low water cut-off (LWCO) must be installed where required by local codes.

Proper installation and functionality in the field is the responsibility of the heating contractor.

### IMPORTANT

DHW supply and return piping between boiler DHW connections and the Viessmann DHW tank connections, shall be a minimum of 1½ in. (for models B2HA 88-100, 311-352) and 2 in. (for models B2HA 112-150, 399-530) DHW connection outlet sizes provided on the boiler and the DHW tank). This will ensure the residual head of the field supplied pump is fully utilized to overcome the resistance of the DHW heat exchanger coil and to provide sufficient water flow to the boiler heat exchanger.

In non-Viessmann DHW tank applications, perform, in addition to the above, accurate calculations for DHW tank coil pressure drop versus boiler pump (field supplied) residual head to ensure sufficient water flow to the boiler heat exchanger. Failure to heed the above instructions may cause boiler short-cycling and inadequate DHW supply.

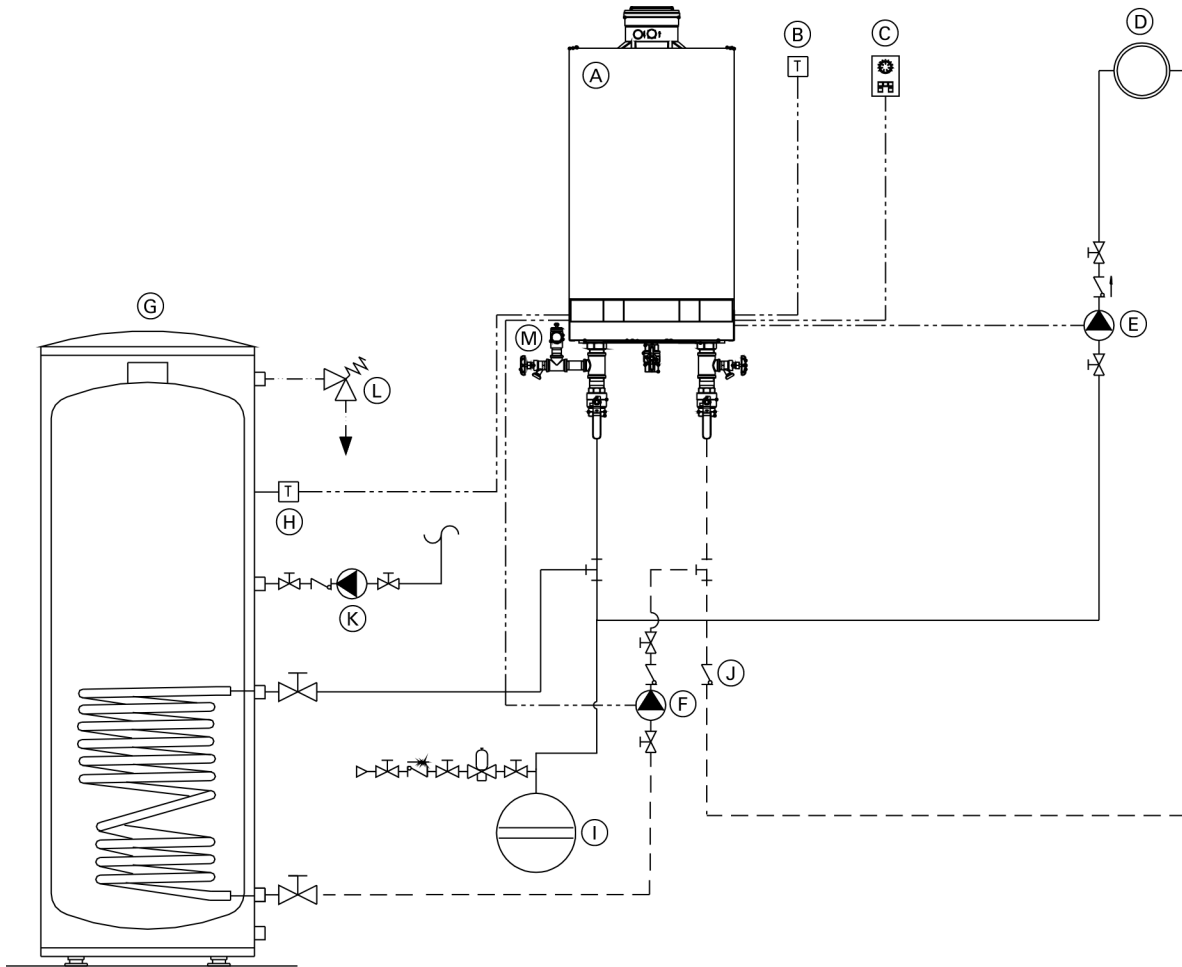


### WARNING

If a DHW storage tank other than a Viessmann Vitocell 100 or 300 tank is used, the installer must verify proper operation of the Viessmann DHW tank temperature sensor with the original manufacturer of the tank. Viessmann strongly recommends the installation of a temperature tempering valve in the DHW supply line.

# System Layout 1

Vitodens 200-W, B2HA with a direct-connected heating circuit



**Legend**

- (A) Vitodens 200-W B2HA boiler with Vitotronic 200, HO1B outdoor reset control
- (B) Outdoor temperature sensor [1]
- (C) Vitotrol remote (optional)
- (D) Heating circuit
- (E) Heating circuit pump [20]
- (F) DHW circulating pump [21]
- (G) DHW storage tank
- (H) DHW tank temperature sensor [5]
- (I) Expansion tank
- (J) Flow check valve
- (K) DHW recirculation pump [28/20] \*
- (L) Temperature and pressure relief valve
- (M) Pressure relief valve
- \* Function based on coding of address 53

Installation of ...

- radiator heating circuit (high-temp. circuit)
- DHW production

... with the following flow conditions:

The flow rate of the heating circuit is less than the maximum possible water flow rate of the Vitodens 200-W B2HA boiler (see page 9 for maximum water flow rate of boiler).

The use of a low-loss header is strongly recommended if the maximum water flow rate in the application concerned exceeds the values shown in the applicable table on page 10, or if the system flow rates are unknown.

The low-loss header is available as accessory part.

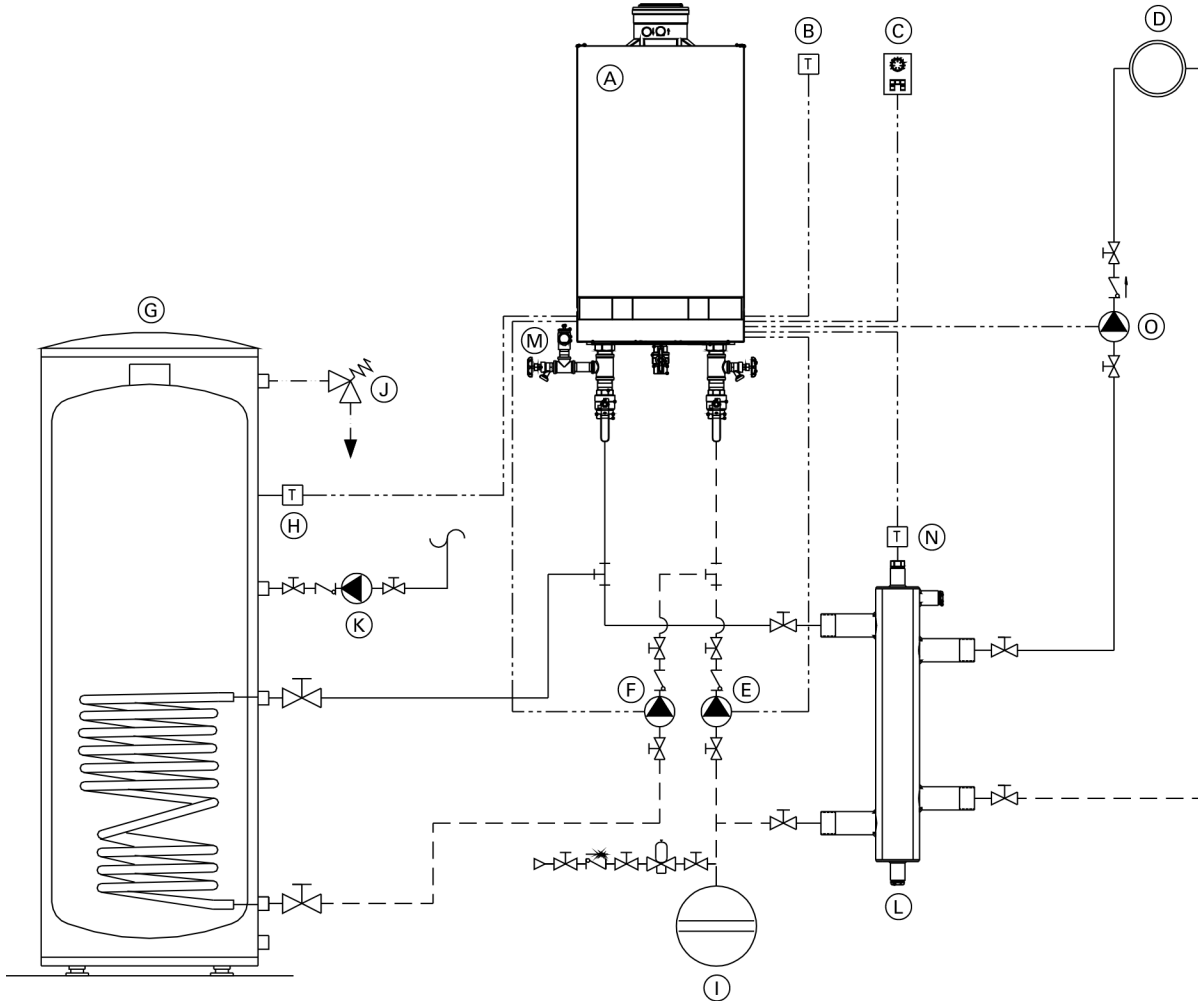
See following pages for installation examples with a low-loss header.

**IMPORTANT**

DHW circulating pump (F) must pump into the Vitodens 200-W boiler (as illustrated).

## System Layout 2

Vitodens 200-W, B2HA with one heating circuit and low-loss header



### Legend

- (A) Vitodens 200-W B2HA boiler with Vitotronic 200, HO1B outdoor reset control
- (B) Outdoor temperature sensor [1]
- (C) Vitotrol remote (optional)
- (D) Heating circuit
- (E) Boiler pump [20]
- (F) DHW circulating pump [21]
- (G) DHW storage tank
- (H) DHW tank temperature sensor [5]
- (I) Expansion tank
- (J) Temperature and pressure relief valve
- (K) DHW recirculation pump [28/20] \*
- (L) Low-loss header
- (M) Pressure relief valve
- (N) Viessmann temperature sensor for low-loss header [2]
- (O) Heating circuit pump [28/20] \*

\* Function based on coding of address 53

### Installation of ...

- radiator heating circuit (high-temp. circuit)
- DHW production

... with the following flow conditions:

The flow rate of the heating circuit is greater than the maximum possible water flow rate of the Vitodens 200-W B2HA boiler (see page 9 for maximum water flow rate of boiler).

The use of a low-loss header is strongly recommended if the maximum water flow rate in the application concerned exceeds the values shown on page 10, or if the system flow rates are unknown.

The low-loss header is available as accessory part.

## IMPORTANT

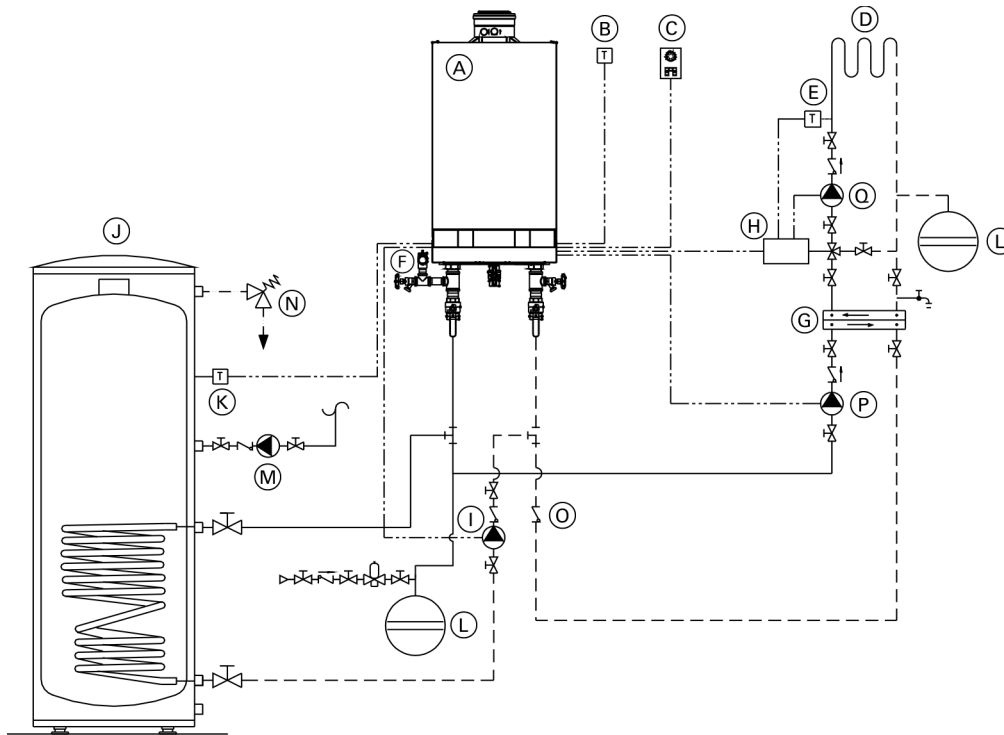
Please note location of expansion tank.

DHW circulating pump (F) must pump into the Vitodens 200-W B2HA boiler (as illustrated).

### System Layout 3

Vitodens 200-W, B2HA with...

- DHW storage tank
- one heating circuit with mixing valve and system separation



**Legend**

- (A) Vitodens 200-W B2HA boiler with Vitotronic 200, HO1B outdoor reset control
- (B) Outdoor temperature [1]
- (C) Vitotrol remote (optional)
- (D) Underfloor heating circuit
- (E) Mixing valve temperature sensor [2]
- (F) Pressure relief valve
- (G) Plate heat exchanger for system separation
- (H) Accessory kit for heating circuit with mixing valve
- (I) DHW circulating pump [21]
- (J) DHW storage tank
- (K) DHW tank temperature sensor [5]
- (L) Expansion tank
- (M) DHW recirculation pump [28/20] \*
- (N) Temperature and pressure relief valve
- (O) Flow check valve
- (P) Heating circuit pump [20]
- (Q) Heating circuit pump

\* Function based on coding of address 53

**IMPORTANT**

DHW circulating pump must pump (I) into the Vitodens 200-W B2HA boiler (as illustrated).

Installation of ...

- underfloor heating circuit with 3-way mixing valve and system separation (low-temp. circuit)
- DHW production

... with the following flow conditions:

The flow rate of the heating circuit is less than the maximum possible water flow rate of the Vitodens 200-W B2HA boiler.

See page 30 for maximum water flow rate of the Vitodens 200-W B2HA boilers. The use of a low-loss header is recommended if the system water flow rate is unknown. The low-loss header is available as accessory part.

See following pages for installation examples with a low-loss header.

**IMPORTANT**

System separation is required of underfloor heating systems employing non-oxygen diffusion barrier tubing. All components on the secondary side of the heat exchanger must be made of corrosion-resistant materials.

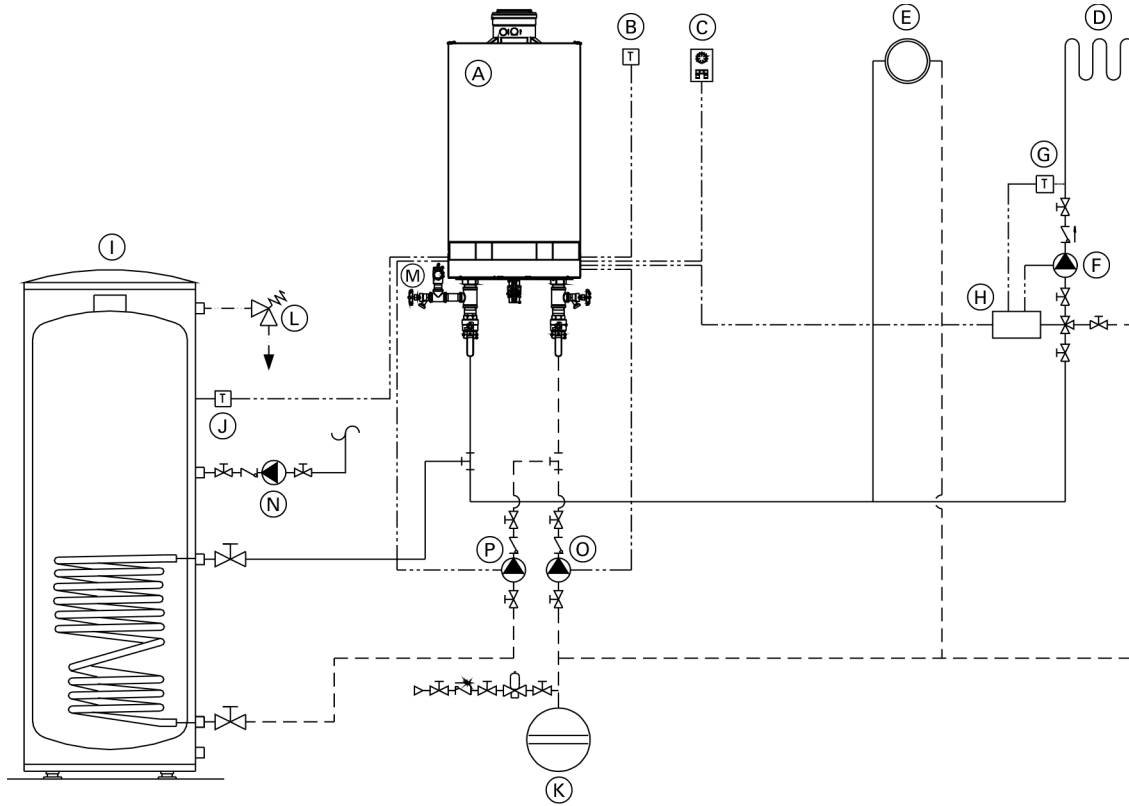
**IMPORTANT**

Sizing of field-supplied pump (P) is critical for proper boiler operation in this system layout. See page 9 for the supply head pressure drop of the boiler. An undersized pump may cause short-cycling and/or improper operation of the boiler. Viessmann STRONGLY recommends using a low-loss header and a boiler pump in this system layout.

## System Layout 4

Vitodens 200-W, B2HA with...

- DHW storage tank
- one direct-connected heating circuit
- one heating circuit with a mixing valve



### Legend

- (A) Vitodens 200-W B2HA boiler with Vitotronic 200, HO1B outdoor reset control
- (B) Outdoor temperature sensor [1]
- (C) Vitotrol remote (optional)
- (D) Under floor heating circuit
- (E) Radiator heating circuit
- (F) Heating circuit pump
- (G) Mixing valve temperature sensor [2]
- (H) Accessory kit for heating circuit with mixing valve
- (I) Domestic hot water storage tank
- (J) DHW tank temperature sensor [5]
- (K) Expansion tank
- (L) Temperature and pressure relief valve
- (M) Pressure relief valve
- (N) DHW recirculation pump [28/20] \*
- (O) Boiler pump [20]
- (P) DHW circulating pump [21]

\* Function based on coding of address 53

### IMPORTANT

DHW circulating pump (P) must pump into the Vitodens 200-W B2HA boiler (as illustrated).

### Installation of different heating circuits...

- radiator heating circuit (high-temp. circuit)
- under floor heating circuit with 3-way mixing valve (low-temp. circuit)
- DHW production

... with the following flow conditions:

1. The water flow rate (output) of the radiator heating circuit is at least 30% greater than that of the under floor heating circuit.
2. The total flow rate of the two heating circuits is less than the maximum possible water flow rate of the Vitodens 200-W B2HA boiler (see page 9 for max. water flow rate).  
The use of a low-loss header is strongly recommended if the maximum water flow rate in the application concerned exceeds the values shown on page 10, or if the system flow rates are unknown. The low-loss header is available as accessory part.

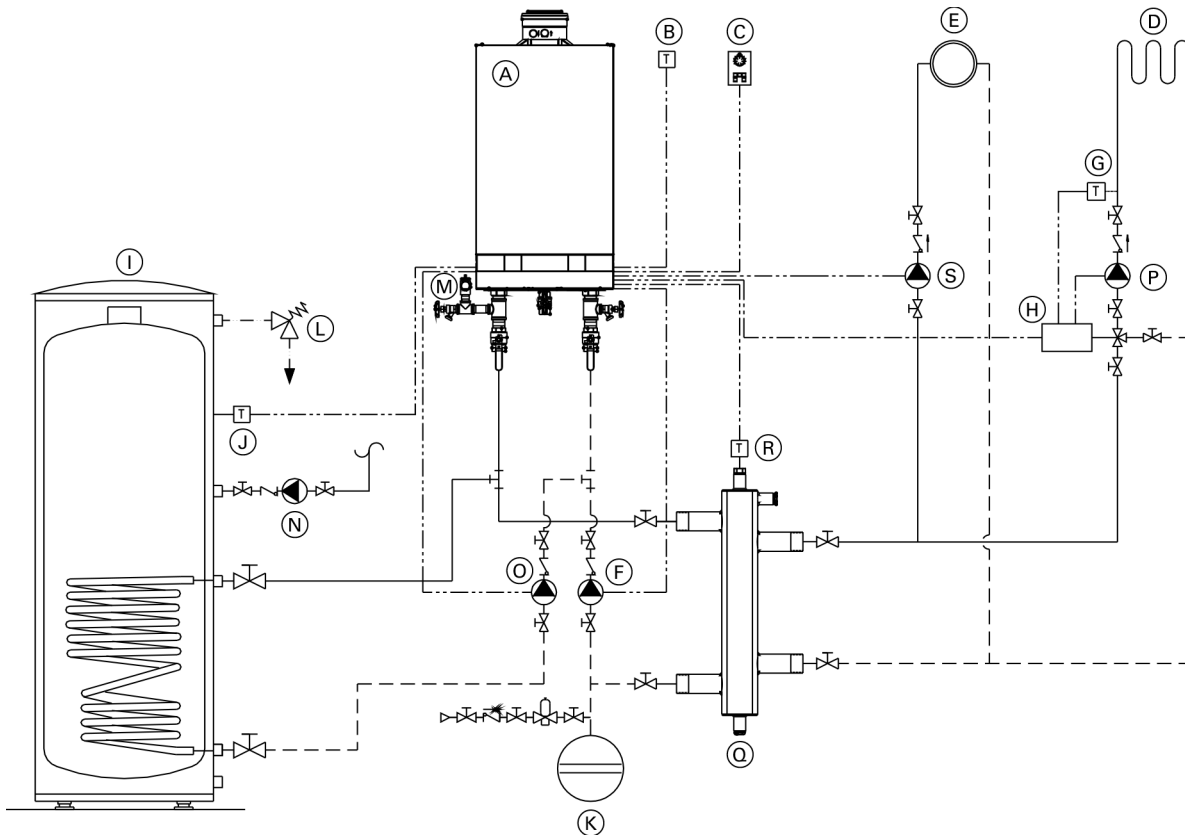
See following pages for additional installation examples with a low-loss header.

The 3-way mixing valve, built-in to achieve the low-temperature level of the under floor heating circuit, is controlled by an accessory kit for a heating circuit with mixing valve.

## System Layout 5

Vitodens 200-W, B2HA with...

- DHW storage tank
- one heating circuit with mixing valve
- one heating circuit without mixing valve and low-loss header



### Legend

- (A) Vitodens 200-W B2HA boiler with Vitotronic 200, HO1B outdoor reset control
- (B) Outdoor temperature sensor [1]
- (C) Vitotrol remote (optional)
- (D) Under floor heating circuit
- (E) Radiator heating circuit
- (F) Boiler circuit pump [20]
- (G) Mixing valve temperature sensor [2]
- (H) Kit for heating circuit with mixing valve
- (I) Domestic hot water storage tank
- (J) DHW tank temperature sensor [5]
- (K) Expansion tank
- (L) Temperature and pressure relief valve
- (M) Pressure relief valve
- (N) DHW recirculation pump [28/20] \*
- (O) DHW circulating pump [21]
- (P) Heating circuit pump
- (Q) Low-loss header
- (R) Viessmann temperature sensor for low-loss header [2]
- (S) Heating circuit pump [28/20] \*

\* Function based on coding of address 53

### Installation of different heating circuits...

- radiator heating circuit (high-temp. circuit)
- under floor heating circuit with 3-way mixing valve (low-temp. circuit)
- DHW production

... with the following flow conditions:

The total flow rate of the two heating circuits is greater than the maximum possible water flow rate of the Vitodens 200-W B2HA boiler (see page 9 for maximum water flow rate of boiler).

The use of a low-loss header is strongly recommended. The low-loss header is available as accessory part.

The 3-way mixing valve, built-in to achieve the low-temperature level of the under floor heating circuit, is controlled by an accessory kit for a heating circuit with mixing valve.

### IMPORTANT

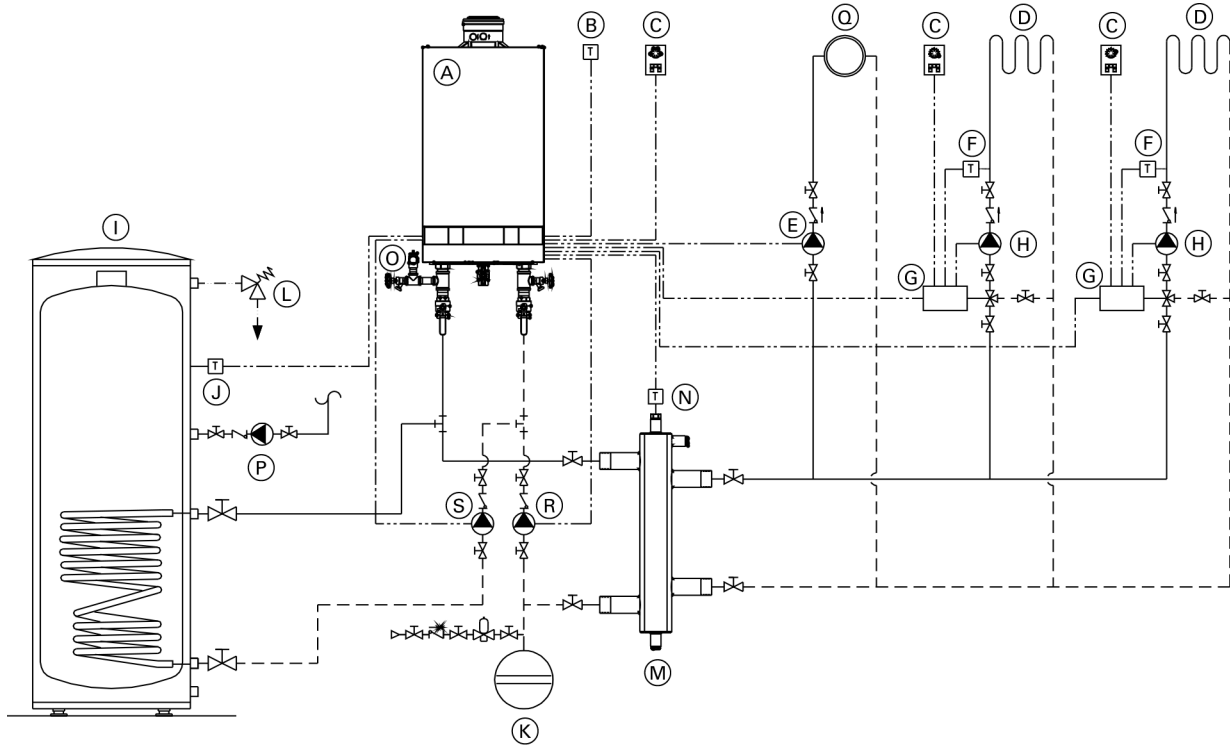
DHW circulating pump (O) must pump into the Vitodens 200-W B2HA boiler (as illustrated).



## System Layout 6

Vitodens 200-W, B2HA with...

- DHW storage tank
- low-loss header
- multiple heating circuits with mixing valves
- one heating circuit without mixing valve



### Legend

- (A) Vitodens 200-W B2HA boiler with Vitotronic 200, HO1B outdoor reset control
- (B) Outdoor temperature sensor [1]
- (C) Vitotrol remote (optional)
- (D) Under floor heating circuit
- (E) Heating circuit pump [28/20] \*
- (F) Mixing valve temperature sensor [2]
- (G) Accessory kit for heating circuit with mixing valve
- (H) Heating circuit pumps
- (I) DHW storage tank
- (J) DHW tank temperature sensor [5]
- (K) Expansion tank
- (L) Temperature and pressure relief valve
- (M) Low-loss header
- (N) Viessmann temperature sensor for low-loss header [2]
- (O) Pressure relief valve
- (P) DHW recirculation pump [28/20] \*
- (Q) Radiator heating circuit
- (R) Boiler pump [20]
- (S) DHW circulating pump [21]

\* Function based on coding of address 53

Installation of different heating circuits...

- two heating circuits with 3-way mixing valve (low-temp. circuit)
- DHW production

... with the following flow conditions:

The total flow rate of the two heating circuits is greater than the maximum possible water flow rate of the Vitodens 200-W B2HA boiler (see page 9 for maximum water flow rate of boiler).

The use of a low-loss header is strongly recommended. The low-loss header is available as accessory part.

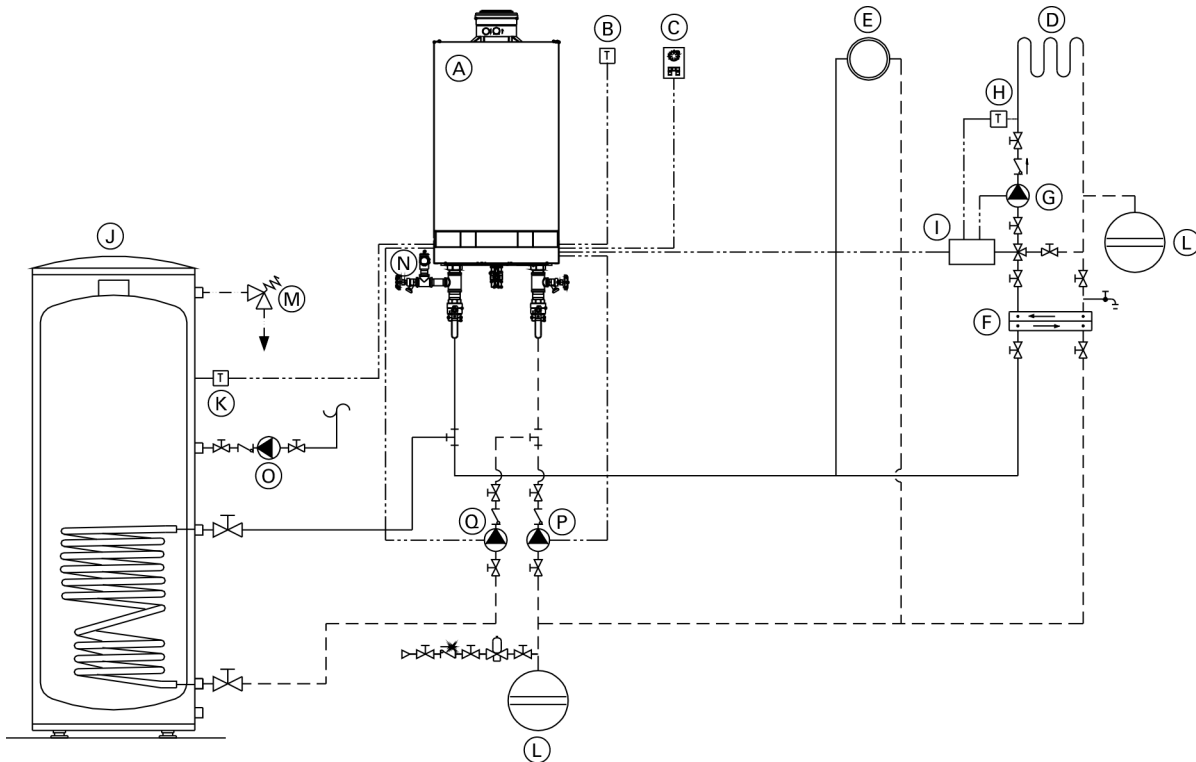
The 3-way mixing valve, built-in to achieve the low-temperature level of the under floor heating circuit, is controlled by an accessory kit for a heating circuit with a mixing valve.

### IMPORTANT

DHW circulating pump (S) must pump into the Vitodens 200-W B2HA boiler (as illustrated).

# System Layout 7

- Vitodens 200-W, B2HA with...
- direct-connected heating circuit
  - one heating circuit with system separation



**Legend**

- (A) Vitodens 200-W B2HA boiler with Vitotronic 200, HO1B outdoor reset control
- (B) Outdoor temperature sensor [1]
- (C) Vitotrol remote (optional)
- (D) Under floor heating circuit
- (E) Radiator heating circuit
- (F) Plate heat exchanger for system separation
- (G) Heating circuit pump
- (H) Mixing valve temperature sensor [2]
- (I) Accessory kit for heating circuit with mixing valve
- (J) DHW storage tank
- (K) DHW tank temperature sensor [5]
- (L) Expansion tanks
- (M) Temperature and pressure relief valve
- (N) Pressure relief valve
- (O) DHW recirculation pump [28/20] \*
- (P) Boiler pump [20]
- (Q) DHW circulating pump [21]

\* Function based on coding of address 53

**IMPORTANT**

DHW circulating pump (Q) must pump into the Vitodens 200-W B2HA boiler (as illustrated).

Installation of different heating circuits...

- radiator heating circuit (high-temp. circuit)
- under floor heating circuit with 3-way mixing valve (low-temp. circuit)
- DHW production

... with the following flow conditions:

The total flow rate of the two heating circuits is less than the maximum possible water flow rate of the Vitodens 200-W B2HA boiler (see page 9 for maximum water flow rate of boiler).

The use of a low-loss header is strongly recommended if the maximum water flow rate in the application concerned exceeds the max. boiler flow rate, or if the system flow rates are unknown. The low-loss header is available as accessory part.

The 3-way mixing valve, built-in to achieve the low-temperature level of the under floor heating circuit, is controlled by an accessory kit for a heating circuit with mixing valve (I). The boiler pump (P) supplies the radiator heating circuit and the plate heat exchanger for system separation.

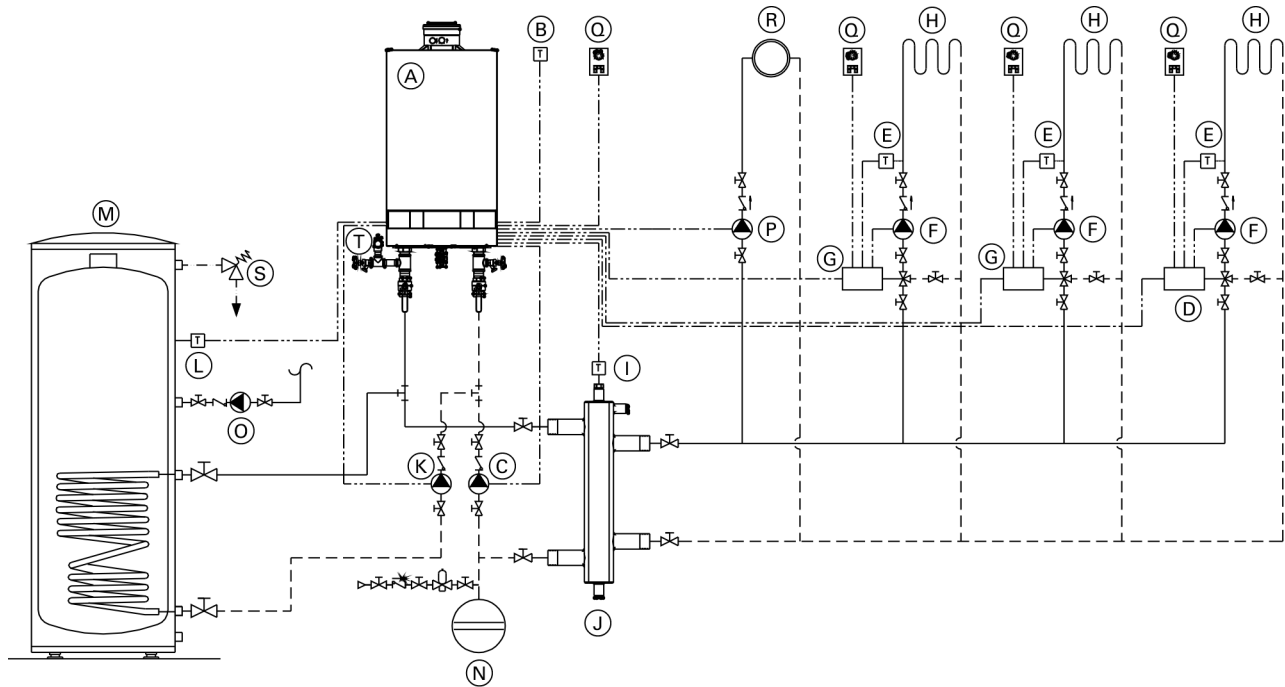
**IMPORTANT**

The pressure drop (secondary circuit) of the plate heat exchanger (F) must be less/equal to the pressure drop of the 3-way mixing valve. This must be taken into account when sizing the plate heat exchanger.

## System Layout 8

Vitodens 200-W, B2HA with...

- DHW storage tank
- low-loss header
- multiple heating circuits with mixing valves
- one heating circuit without mixing valve



When designing a system as illustrated above, please contact your local Viessmann Sales Representative for assistance.

### Legend

- (A) Vitodens 200-W B2HA boiler with Vitotronic 200, HO1B outdoor reset control
- (B) Outdoor temperature [1]
- (C) Boiler pump [20]
- (D) Vitotronic 200-H, HK1B \*1
- (E) Mixing valve temperature sensor [2]
- (F) Heating circuit pumps
- (G) Accessory kit for heating circuit with mixing valve
- (H) Heating circuits with mixing valves
- (I) Viessmann temperature sensor for low-loss header [2]
- (J) Low-loss header
- (K) DHW circulating pump [21]
- (L) DHW tank temperature sensor [5]
- (M) DHW storage tank
- (N) Expansion tank
- (O) DHW recirculation pump [28]
- (P) Heating circuit pump [28/20]\*
- (Q) Vitotrol remote (optional)
- (R) Radiator heating circuit
- (S) Temperature and pressure relief valve
- (T) Pressure relief valve

\* Function based on coding of address 53

\*1 Contact your local Sales Representative for details.

Vitotronic 200-H, HK1B mixing valve control with LON communication module can be used instead of the accessory kit and Vitocontrol.

### IMPORTANT

Please note location of expansion tank (N).

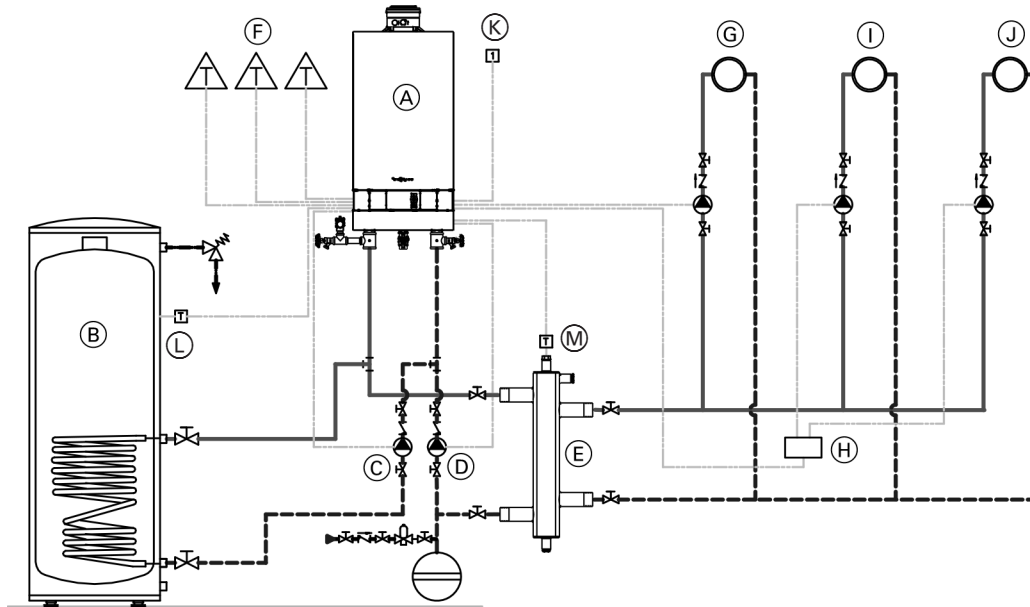
### IMPORTANT

Pumps (C) and (K) must pump into the Vitodens 200-W B2HA boiler (as illustrated).

## System Layout 9

Vitodens 200-W, B2HA/B2HB with...

- DHW storage tank
- low-loss header
- three zone circuits



### Legend

- (A) Vitodens 200-W boilers
- (B) DHW storage tank
- (C) DHW pump [output 21]
- (D) Boiler pump [output 20]
- (E) Low-loss header
- (F) Thermostat zone circuits 1, 2, 3
- (G) Zone circuit 1 [output 157]
- (H) AM1 extension module (accessory)
- (I) Zone circuit 2 [output A1 - AM1 extension module]
- (J) Zone circuit 3 [output A2 - AM1 extension module]
- (K) Outdoor temperature sensor
- (L) DHW sensor
- (M) Supply temperature sensor

Installation of different heating circuits...

- DHW production
- 3 zone circuits

... with the following flow conditions:

The total flow rate of the DHW and zone circuits is greater than the maximum possible water flow rate of the Vitodens 200-W B2HA/B boiler.

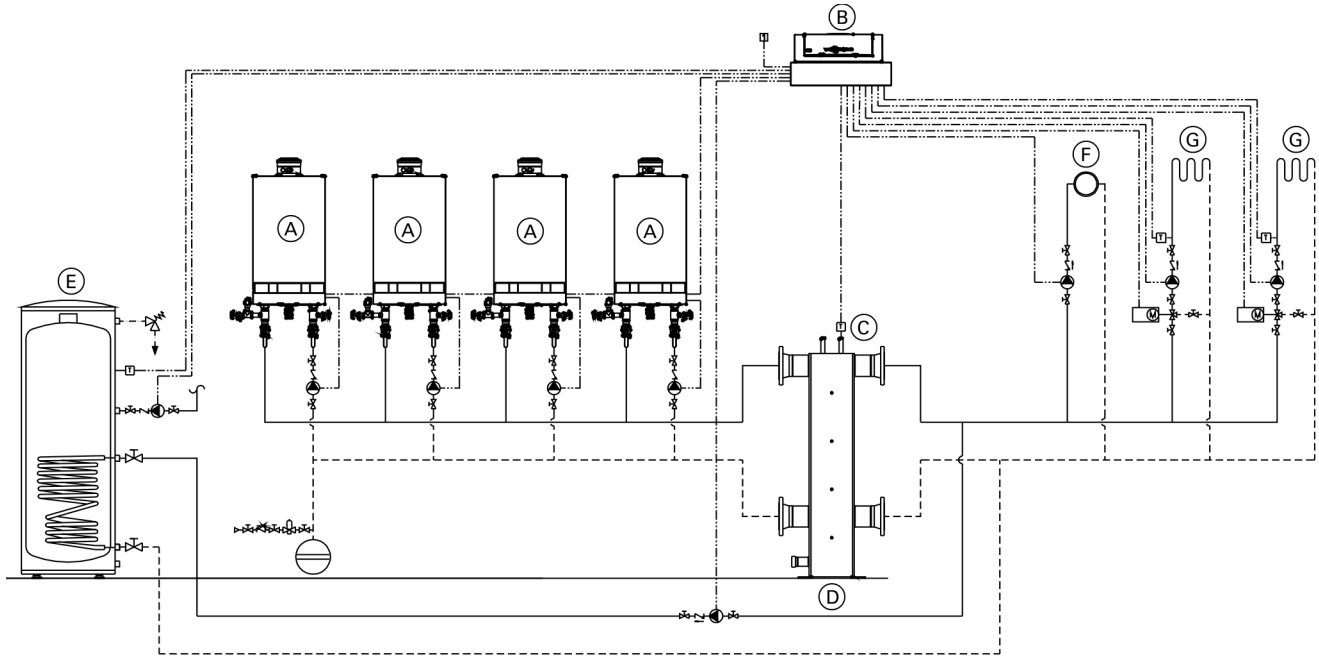
The use of a low-loss header is strongly recommended.

The low-loss header is available as accessory part.

# System Layout 10

Multiple (up to eight) Vitodens 200-W, models B2HA 88-150, 311-530 with...

- multiple heating circuits with mixing valves
- low-loss header



**Legend**

- (A) Vitodens boiler
- (B) Vitotronic 300K
- (C) Low-loss header/common supply temperature sensor
- (D) Low-loss header
- (E) DHW storage tank
- (F) High temperature heating circuit
- (G) Low temperature heating circuit

When designing a multiple Vitodens system as shown above, please reference applicable multiple Vitodens technical documentation, and contact your local Viessmann Sales Representative for further assistance.

This installation example depicts a possible piping layout for multiple Vitodens 200-W, B2HA boilers equipped with Viessmann System Technology. Please note that this example is based on a simplified conceptual drawing only! Piping and necessary componentry must be field verified. A low water cut-off (LWCO) must be installed where required by local codes.

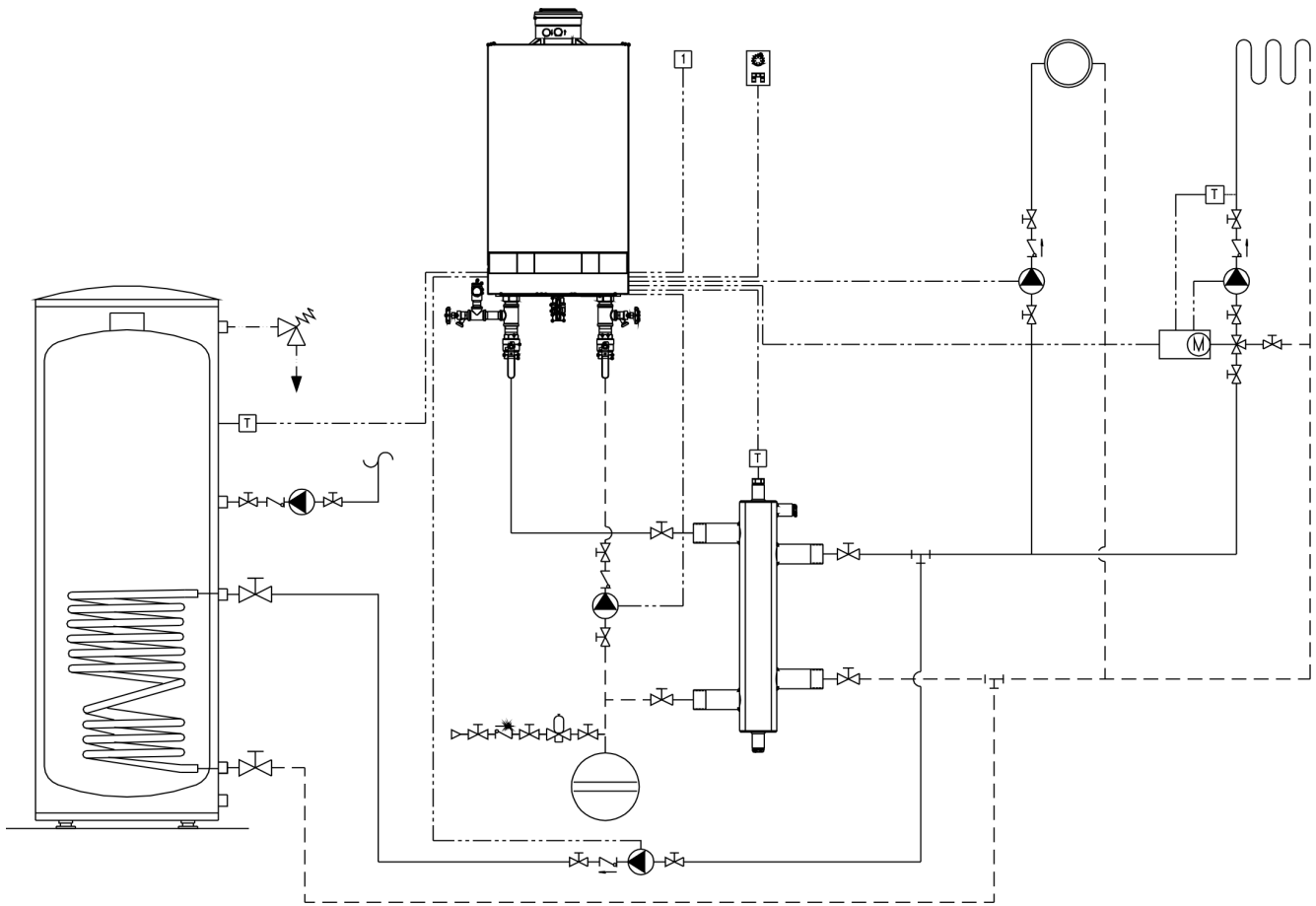
Proper installation and functionality in the field is the responsibility of the heating contractor.

**! WARNING**

If a DHW storage tank other than a Viessmann Vitocell 100 or 300 tank is used, the installer must verify proper operation of the Viessmann DHW tank temperature sensor with the original manufacturer of the tank. Viessmann strongly recommends the installation of a temperature tempering valve in the DHW supply line.

## Alternative DHW Connection

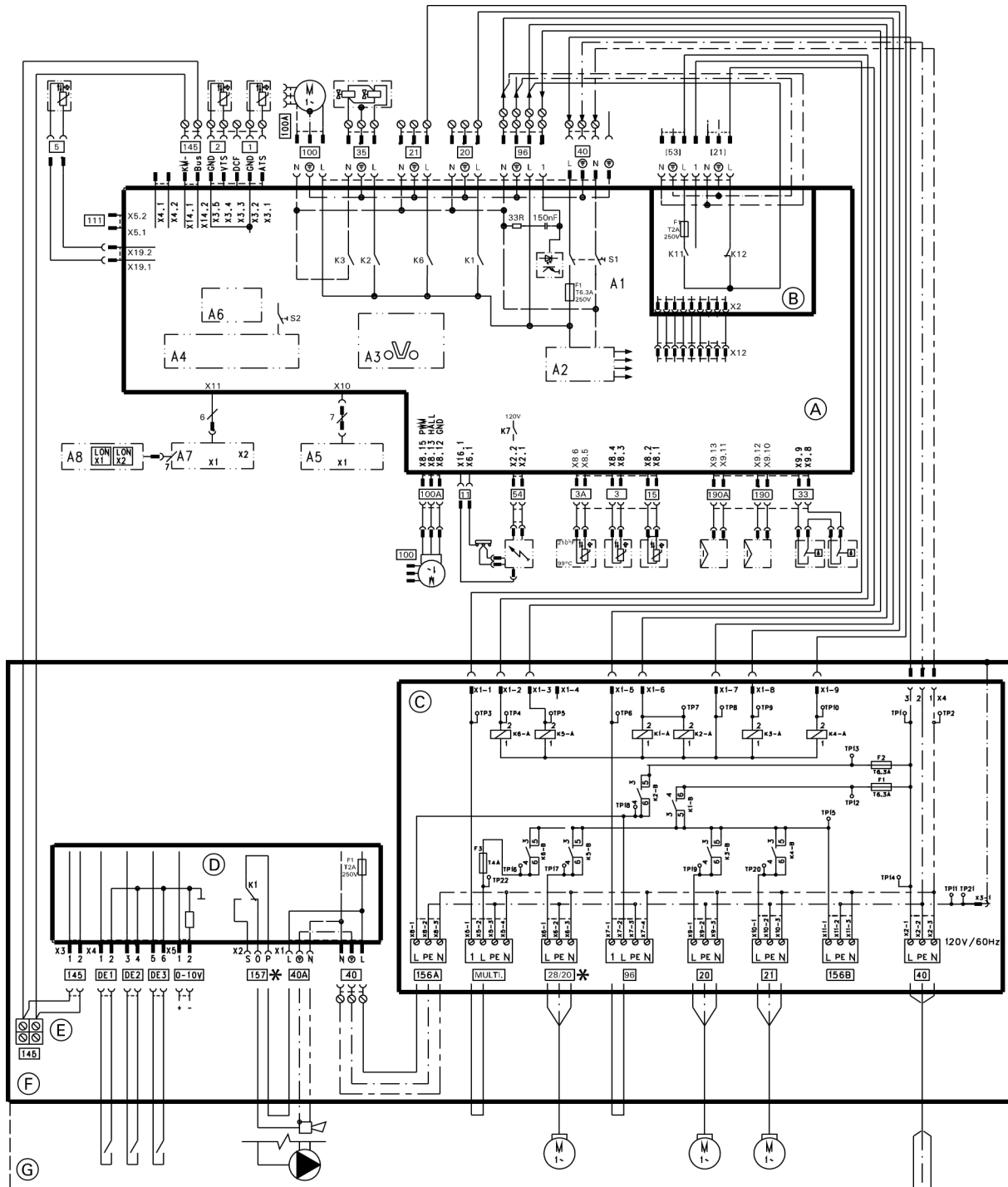
The following piping diagram reflects an alternative connection for the DHW tank only and applies to system layouts 2, 5, 6 and 8. The boiler control pump logic function must be programmed in the Service Instructions.



**\* Note:** When using a low loss header in the system, the DHW connections can be made downstream of the low loss header. See Vitodens 200-W B2HA Service Instructions for applicable system coding information (see coding level 2):

- 00: ...
- A2: ...
- 5b: ...

**Overview of Electrical Connections, Models B2HA 88, 100, 311, 352**

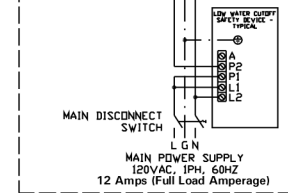


**WARNING**  
 DISCONNECT POWER BEFORE  
 SERVICING BOILER.

If any of the original wires as  
 supplied with the appliance must  
 be replaced, it must be replaced  
 with the exact equivalent.

**CAUTION**  
 Label all wires prior to disconnection  
 when servicing controls. Wiring errors  
 can cause improper and dangerous  
 operation. Verify proper operation  
 after servicing.

\* Only one function/accessory may  
 be assigned to each connection.



**Overview of Electrical Connections, Models B2HA 88, 100, 311, 352** *(continued)***Legend**

1	Outdoor Temperature Sensor
2	Supply Temperature Sensor/Low Loss Header
3	Boiler Temperature Sensor/High Limit Sensor
3A	Boiler Temperature Sensor/High Limit Sensor
5	DHW Temperature Sensor
11	Ionization Electrode
15	Flue Gas temperature Sensor
20	Boiler Pump
21	DHW Pump
[21]	Pump Output Connection
28/20	Programmable Pump Output / zone circuit pump output*
33	Flow Switch (X2 FOR MODELS 88, 100, 311, 532)
35	Gas Valve (X2 FOR MODELS 88, 100, 311, 532)
40	Power Supply
40A	Accessory Power Output
[53]	Powered Accessory Connection
54	Ignition Transformer
96	Powered Accessory Connection
100	Fan Motor
100A	Fan Motor Control
111	Not Used
145	KM-BUS
Multi	Powered Accessory Connection
156A	Switched Output F2
156B	Switched Output F1
DE1	Digital Input 1 (Dry Contact)
DE2	Digital Input 2 (Dry Contact)
DE3	Digital Input 3 (Dry Contact)
0-10V	0-10VDC Input
157	Fault Alarm/DHW Recirc. Pump / zone circuit pump output*
190	Gas Modulation Coil
190A	Gas Modulation Coil (for 88, 100, 311, 532)

\* See wiring diagram

- (A) Boiler Control
- (B) External Accessory Connection Board
- (C) Pump Connection Interface
- (D) Extension Module EA1
- (E) KM-BUS for External Devices
- (F) Electrical Junction Box
- (G) Field Wiring Connections
- A1 Main Board
- A2 Internal Power Supply Unit
- A3 Optolink
- A4 Burner Control Unit
- A5 Programming Unit
- A6 Coding Card
- A7 Connection Adaptor
- A8 LON Communication Module
- S1 ON/OFF Switch
- S2 Reset Button
- X.. Electrical Interface

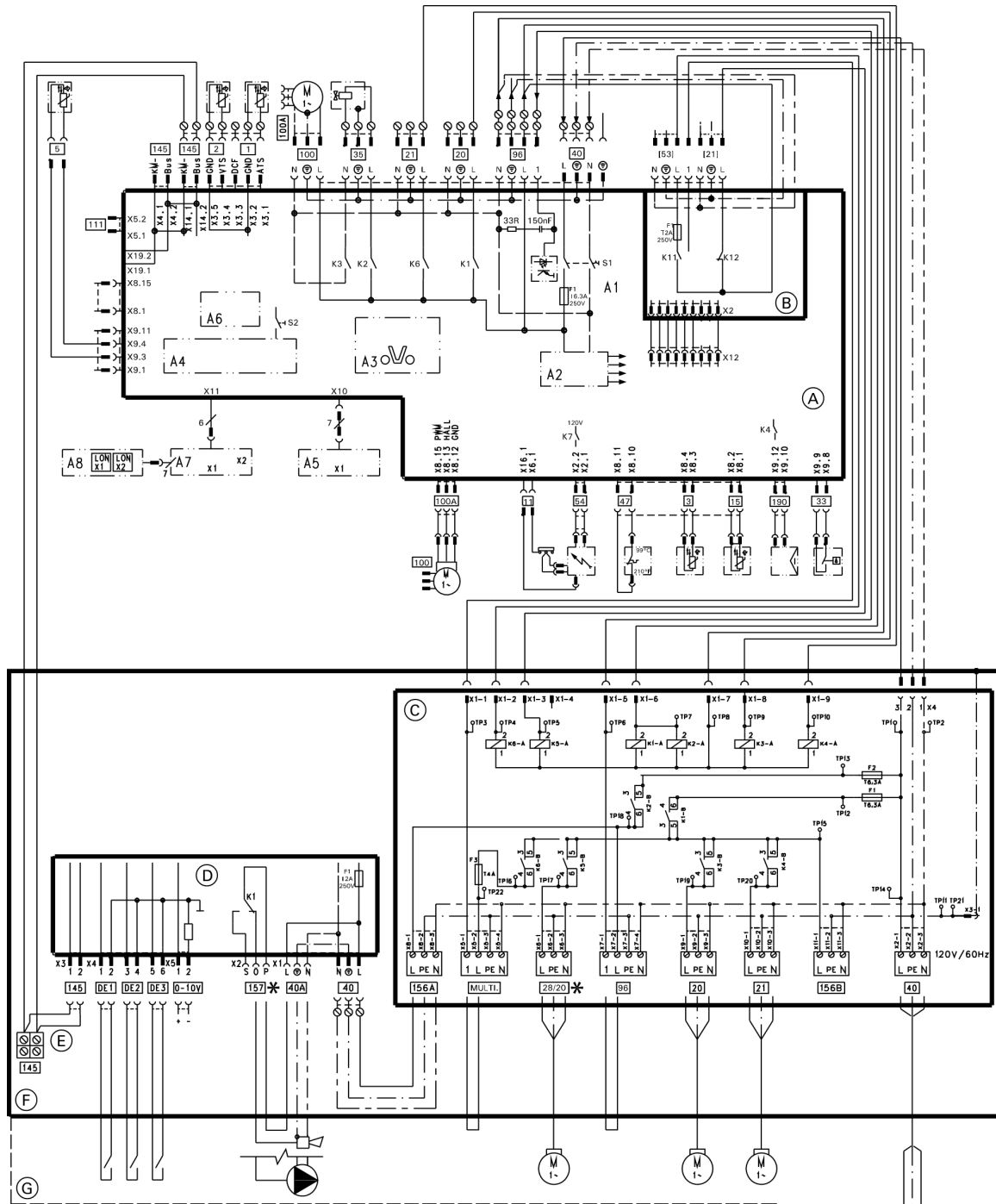
**IMPORTANT**

Electrical installations must comply with the latest edition of:

- In the U.S.A., the National Electrical Code (NEC), ANSI/NFPA 70 and any other state, local codes and/or regulations.
- In Canada, the Canadian Electrical Code (CEC), CSA C22.1 Part 1 and any other province, territory, local codes and/or regulations.



**Overview of Electrical Connections, Models B2HA 112, 150, 399, 530**

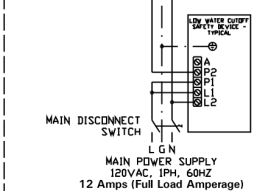


**WARNING**  
**DISCONNECT POWER BEFORE SERVICING BOILER.**

If any of the original wires as supplied with the appliance must be replaced, it must be replaced with the exact equivalent.

**CAUTION**  
 Label all wires prior to disconnection when servicing controls. Wiring errors can cause improper and dangerous operation. Verify proper operation after servicing.

\* Only one function/accessory may be assigned to each connection.



**Overview of Electrical Connections, Models B2HA 112, 150, 399, 530** *(continued)***Legend**

1	Outdoor Temperature Sensor
2	Supply Temperature Sensor/Low Loss Header
3	Boiler Temperature Sensor/High Limit Sensor
3A	Boiler Temperature Sensor/High Limit Sensor
5	DHW Temperature Sensor
11	Ionization Electrode
15	Flue Gas temperature Sensor
20	Boiler Pump
21	DHW Pump
[21]	Pump Output Connection
28/20	Programmable Pump Output / zone circuit pump output*
35	Gas Valve
40	Power Supply
40A	Accessory Power Output
[53]	Powered Accessory Connection
54	Ignition Transformer
96	Powered Accessory Connection
100	Fan Motor
100A	Fan Motor Control
111	Low and High Pressure Gas Switches
145	KM BUS
Multi	Powered Accessory Connection
156A	Switched Output F2
156B	Switched Output F1
DE1	Digital Input 1 (Dry Contact)
DE2	Digital Input 2 (Dry Contact)
DE3	Digital Input 3 (Dry Contact)
0-10V	0-10VDC Input
157	Fault Alarm/DHW Recirc. Pump / zone circuit pump output*
190	Gas Modulation Coil
F	Flow Sensor

\* See wiring diagram

- (A) Boiler Control
- (B) External Accessory Connection Board
- (C) Pump Connection Interface
- (D) Extension Module EA1
- (E) KM-BUS for External Devices
- (F) Electrical Junction Box
- (G) Field Wiring Connections
- A1 Main Board
- A2 Internal Power Supply Unit
- A3 Optolink
- A4 Burner Control Unit
- A5 Programming Unit
- A6 Coding Card
- A7 Connection Adaptor
- A8 LON Communication Module
- S1 ON/OFF Switch
- S2 Reset Button
- X.. Electrical Interface

**IMPORTANT**

Electrical installations must comply with the latest edition of:

- In the U.S.A., the National Electrical Code (NEC), ANSI/NFPA 70 and any other state, local codes and/or regulations.
- In Canada, the Canadian Electrical Code (CEC), CSA C22.1 Part 1 and any other province, territory, local codes and/or regulations.

## System Design Considerations

### IN THE COMMONWEALTH OF MASSACHUSETTS...

- this product shall be installed by a licensed plumber or gas fitter.
- the flexible connector (if used) cannot exceed 36".
- any level type shutoff used must be of tee handle type.

### Boiler location

As a direct vent appliance, the Vitodens 200-W can be installed for room air independent operation (sealed combustion) regardless of size and ventilation method of the room in which it is located.

The Vitodens 200-W can be installed, for example, in the main living area of a house, in non-ventilated utility rooms, cupboards, closets and alcoves with no clearance required from combustible materials, as well as in attics with a direct outlet for the flue gas/fresh air system. Follow all local and national codes.

### Flue gas system

Viessmann PPS (Polypropylene) concentric flue gas/fresh air systems for room air independent operation (sealed combustion) and side wall venting are tested to ANSI Z21.13 - CSA 4.9 standards (latest edition) and are certified together with the Vitodens 200-W boiler as a constructional unit.

The Vitodens 200-W boiler may also be vented vertically, using an AL29-4C® special stainless steel, single-wall, room air dependent venting system (UL listed for category IV). For a more detailed description of the direct vent and single-wall vent system, please refer to the Vitodens 200-W Venting System Installation Instructions.

### Flue gas temperature protection

Flue pipes used for the Vitodens 200-W are suitable for max. flue gas temperatures of up to 230°F (110°C). No flue gas temperature protection is required as the maximum permissible flue gas temperature is not exceeded in any operating condition or in the event of malfunctioning.

### Low water cut-off

The Vitodens 200 boiler is certified with an internal flow switch / sensor, however a low water cut-off may be required by local jurisdiction.

If required, an approved type low water cut-off device must be provided by the heating contractor.

Do not install an isolation valve between the boiler and the low water cut-off.

### Water connections

Vitodens 200-W boilers can be used in any fully pumped hot water heating system.

Minimum system pressure is 1 bar (14 psig).

Chemical corrosion protection products

Corrosion does not typically occur in sealed heating systems which have been correctly installed and are correctly operated.

Many manufacturers of plastic pipes recommend the use of chemical additives. In this case, only those commercially available corrosion protection products approved for boilers with domestic hot water heating via single-wall heat exchangers (instantaneous plate heat exchangers or DHW tanks) must be used.

### Water quality

Treatment for boiler feed water should be considered in areas of known problems, such as where a high mineral content and hardness exist. In areas where freezing might occur, an antifreeze may be added to the system water to protect the system. Please adhere to the specifications given by the antifreeze manufacturer. Do not use automotive silicate based antifreeze.

Please observe that an antifreeze/water mixture may require a backflow preventer within the automatic water feed and influence components such as diaphragm expansion tanks, radiation, etc. Maximum antifreeze content is 50% for the Vitodens 200-W boiler. Do not use antifreeze other than specifically made for hot water heating systems. System also may contain components which might be negatively affected by antifreeze.

Check total system frequently when filled with antifreeze. Advise system operator/ultimate owner that system is filled with a glycol mix. The heating contractor must provide a MSDS (Material Safety Data Sheet) for the antifreeze used to the system operator/ultimate owner.

### Total permissible hardness of the fill and top-up water

Total heating output	Specific heating volume					
	< 5 USG per 3412 BTU		≥ 5 USG per 3412 BTU to < 13 USG per 3412 BTU		≥ 13 USG per 3412 BTU	
MBH						
≤ 170	300 ppm	17.5 gpg	200 ppm	11.7 gpg	2 ppm	0.11 gpg
> 170 to ≤ 682	200 ppm	11.7 gpg	150 ppm	8.8 gpg	2 ppm	0.11 gpg
> 682 to < 2050	150 ppm	8.8 gpg	2 ppm	0.11 gpg	2 ppm	0.11 gpg
> 2050	2 ppm	0.11 gpg	2 ppm	0.11 gpg	2 ppm	0.11 gpg

ppm - parts per million  
gpg - grains per gallon

**Note:** The pH value of the heating water should be between 6.5 and 9.5

## System Design Considerations *(continued)*

### System layout

- The max. boiler water temperature for space heating and DHW production is for models B2HA 88 to 530. To minimize distribution losses, Viessmann recommends that the heating and domestic hot water systems be based on a maximum boiler supply temperature of 185°F (85°C).
- Due to the low return temperatures required for gas condensing, no mixing valves should be used in the heating circuit whenever possible. If mixing valves are required, e.g. for multi-circuit systems or underfloor heating systems, only 3-way mixing valves must be used.  
Do not use 4-way mixing valves with condensing boilers.

### Underfloor heating systems

For underfloor heating systems Viessmann recommends the use of plastic tubing with an oxygen diffusion barrier in order to prevent the diffusion of oxygen through tubing. If plastic tubing without an oxygen diffusion barrier is used in underfloor heating systems, Viessmann recommends that such systems be separated from the boiler with a heat exchanger.

Underfloor heating systems and heating circuits containing a very large volume of water must be connected to the boiler via a 3-way mixing valve; please refer to the applicable installation example in this manual.

### Oxygen diffusion barrier underfloor tubing

The boiler warranty does not cover leaks resulting from corrosion caused by the use of underfloor plastic tubing without an oxygen diffusion barrier. Such systems must have the non-oxygen diffusion barrier tubing separated from the boiler with a heat exchanger. Viessmann recommends the use of underfloor plastic tubing with an oxygen diffusion barrier.

### Warranty

Our warranty does not cover damages resulting from the following:

- installation or service by unqualified and unlicensed personnel.
- attempting to perform any repair work on the boiler other than that mentioned in the boiler literature.
- tampering with or attempting, without Viessmann permission, to readjust the factory settings of the;
  - combination gas valve
  - combustion air opening of the burner blower
- leaks resulting from corrosion caused by the use of underfloor plastic tubing without an oxygen diffusion barrier. For detailed warranty information, please read warranty sheet supplied with product.

