

Technical Data Manual

for use by engineers and heating contractors

VIESSMANN®

Vitoflex 300-RF

Wood-fired Boiler

Vitoflex 300-RF 150, 220, 300, 400 and 540

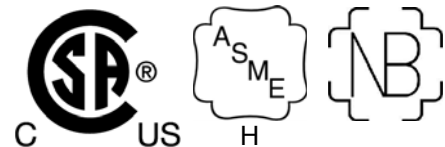


Product may not be exactly as shown

Vitoflex 300-RF with its patented rotating combustion chamber design, features the industry's most advanced combustion technology. An in-feed auger continuously moves the wood fuel onto a moving grate where gasification takes place. The combustible gases blend with precisely controlled secondary air, resulting in a complete combustion with ultra low emissions.

Output range:

RF 150	154 - 512 MBH (45- 150 kW)
RF 220	205 - 751 MBH (60- 220 kW)
RF 300	273 - 1024 MBH (80- 300 kW)
RF 400	341 - 1365 MBH (100- 400 kW)
RF 540	478 - 1843 MBH (140- 540W kW)



Vitoflex 300-RF

Steel wood-fired hot water heating boiler. For operation primarily with modulating boiler water temperatures in closed loop forced circulation hot water heating systems. Under certain conditions, open loop systems may also be considered. Contact Viessmann for details.

Specifications

- Fully-automatic rotating combustion wood-fired boiler
- 5 models from 512 to 1843 MBH
- For dry wood fuels with max. water content of 35%
- Efficiency: 85%
- Available for 30 or 60 psi max. operating pressure

Benefits at a glance

- High efficiency with advanced combustion technology, triple-pass heat exchanger and modulating output control (turndown ratio 4:1)
- Maximum heat transfer with triple-pass heat exchanger design.
- High efficiency and ultra-low emissions with precisely controlled primary and secondary air.
- Igniter device limits idling, minimizes emissions and saves fuel.
- Low maintenance with fully-automatic de-ashing, optional pneumatic cleaning system and flue gas cyclone.
- Advanced safety equipment ensures safe and reliable operation.
- Custom design of your system by our team of experts.
- Available as convenient portable boiler enclosure.

Codes and standards

CSA B366.1-M91
Solid Fuel Fired Central Heating Appliances

CSA C.22.2#3-M88 (R2004)
Electrical Features of Fuel Burning Equipment

UL2523
Solid Fuel-Fired Hydronic Heating Appliances, Water Heaters and Boilers

CSA B365-10
Installation Code for Solid Fuel Burning Appliances and Equipment


ASME section IV boilers and pressure vessels

Maximum allowable working pressure (water)...30 or 60 psi

Maximum water temperature.....250°F (120°C) (closed loop)

Maximum boiler temperature.....210°F (99°C) (open loop)

This boiler does not require a flow switch.

 **WARNING**

Exposing the boiler to pressures and temperatures in excess of those listed will result in damages and will render the warranty null and void.

Boiler Description

Description

The Vitoflex 300-RF Rotating Combustion System (patent no: EP 0 905 442 B1) was developed for automatic combustion wood, pellets and wood chips to max. 35% moisture content, see section "Wood Fuel Requirements".

The Vitoflex 300-RF Rotating Combustion System is characterized by high efficiencies and perfect combustion at all load levels.

The Vitoflex 300-RF Boiler Plant has been built to ASME Sec. IV and has CRN for Canada. It is tested and approved to the applicable CSA / UL safety standards.

Function:

- The in-feed auger conveys the wood fuel diagonally from below into the combustion chamber. The holding devices for the back-burn sensor and the thermal extinguishing valve are situated on the in-feed auger. Above the in-feed auger, there is a metering container with a light barrier to ascertain the level of the fuel insulating layer required.
- The wood fuel is ignited automatically by an igniter, at the time of the boiler start. The gasification of the fuel is carried out on a feed grate moved by a worm-gear motor. The ash falls in an ash bin below. An automatic de-ashing assembly with ash is optional. The combustion chamber is heavily insulated and lined with fire clay refractory elements.
- The combustion gases rising from the combustion chamber are swept up by the rotary secondary airflow brought to bear from the rotation blower and burned out completely in the round combustion chamber. The thermal energy from the combustion gases is transmitted to the boiler water in horizontal heat exchanger tubes. The combustion chamber is heavily insulated and provided with excellent access through the boiler door in the front.
- A flue gas re-circulation system reduces the temperature in the combustion chamber while maintaining the highest possible degree of efficiency. This increases the service life of the un-cooled refractory elements in the gasification zone. With the basic setting, the ratio of re-circulated gas to fresh air is precisely adjusted according to the amount of wood fuel that is burned. A mechanical adjustable damper provides a constant ratio of the quantity of re-circulated gas to fresh air over the entire output range.
- The flue gas exhaust blower is specially designed for wood heating operation and is very quiet. The motor has a solid, heat resistant design with a heat dissipation hub and is spring supported. The blower casing has a round intake port and a round blowout nozzle. Installation is possible on the top, side or rear of the flue gas collector within 360° rotation.

Supplied with:

- Boiler with rotary heat exchanger including supply and return temperature sensors
- combustion chamber with moving grate and light barriers for ember monitoring
- Igniter
- In-feed auger including insulating layer, safety end switch for maintenance lid, back-burn temperature sensor, extinguisher water container with mounting bracket
- Set of displacement rods
- Flue gas re-circulation system
- Flue gas exhaust blower including flue gas temperature sensor and oxygen sensor
- Draft damper for installation in the flue gas pipe
- Boiler cleaning tools for the combustion chamber and heat exchanger
- Installation fittings including pressure relief valve, drain valve, low water cut off, fixed high limiter, temperature and pressure gauge

Customer supplied:

- Counter flanges for the boiler supply and return
- Piping to the 3-way mixing valve, boiler pump and thermal storage tank
- Piping for the safety heat exchanger
- Wiring to the control panel
- Separate electrical circuit for pneumatic cleaning system air compressor, when used.

Accessories for Vitoflex 300-RF Rotating Combustion System:

- Flue gas cyclone 24 USG (90 L)
- Metal mesh filter
- Automatic de-ashing in bin, 63 USG (240 L)
- Automatic de-ashing in bin, 211 USG (800 L)
- Automatic de-ashing in base container
- Pneumatic cleaning system
- Operating pressure 30 or 60 psi
- Two-stage in-feed auger
- Insulation for flue gas re-circulation line
- Thermal safety flush valve
- Slide valve / Rotary valve
- Boiler pump and boiler 3-way mixing valve
- Ecotronic control system options:
 - 3 sensor storage tank management system
 - External control module for field supplied extraction system
 - Output module / Input module
 - Input module 0-10V
 - ModBus
 - BacNet gateway
 - Visualization

Transport and Installation

IMPORTANT

Precautions must be taken to avoid accidents and injury during the transportation of the boiler.

Only hoist the boiler when it is entirely empty of water, fuel and ash.

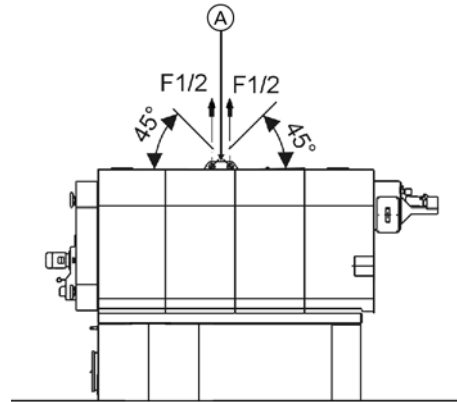
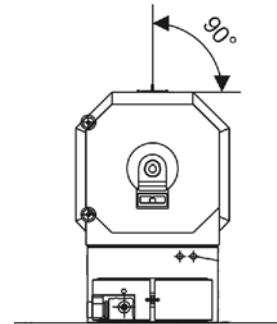
Lifting

A number of lifting lugs will be provided on each boiler and heat exchanger where lifting gear may be attached. A tie bar is required to lift the boiler by the boiler supply and boiler return flanges.

Minimum clearances to walls for installation and maintenance work must be observed. Anti-vibration boiler supports may be used if anti-vibration measures are required.

Vitoflex 300-RF 150 - 300:
Hoist by the lifting lug.

Vitoflex 300-RF 400 - 540:
Hoist by boiler supply and boiler return flanges using a lifting lug.



Ⓐ Lifting lugs

WARNING

Follow instructions for proper installation.
For wood-fired installations:
This wood-fired boiler must be installed in accordance with local codes if any; if not, follow B365-10, Installation Code for Solid-Fuel Burning Appliances and Equipment.

Delivery Condition

Standard delivery condition

The standard delivery condition of the Vitoflex 300-RF boiler includes pre-assembled components as well as components that need to be assembled by the contractor in the field.

Components that are attached to the boiler at time of delivery:

- The heat exchanger is mounted to the combustion chamber
- Boiler is fully bricked
- Boiler door is mounted to the heat exchanger including secondary air rotary blower
- Primary air vents are attached to the combustion chamber
- Flue gas collector is attached to the heat exchanger
- Pneumatic cleaning system (optional) is attached to the flue gas collector

Components that are not attached or installed to the boiler at time of delivery (scope of the contractor):

- Electrical components which include temperature sensors, oxygen sensor, light barriers for the combustion chamber, igniter, low water cut off, and light barriers for the complete extraction system
- All wiring to the control cabinet
- Installation fittings which include pressure relief valve, drain valve, temperature and pressure gauge
- Drive for the combustion chamber grate is detached
- De-ashing (optional) and drive for the de-ashing
- Air compressor (optional) and connection to the pneumatic cleaning system (optional)
- The flue gas blower is not attached to the flue gas collector
- Re-circulation system and insulation (optional)
- Flue gas cyclone (optional) comes in two pieces
- The in-feed auger is detached from the combustion chamber
- Fire extinguishing system for the in-feed auger
- Slide valve (optional) or rotary valve (optional)
- All components of the extraction system (optional), welding for flanges and support legs required
- Glass fiber insulation between any auger connections

Measurements for the fire box as standard delivery condition

Boiler model	RF 150	RF 220	RF 300	RF 400	RF 540
Minimum size door	47¼ in. x 78¾ in. (1200 mm x 2000 mm)	59 in. x 88½ in. (1500 mm x 2250 mm)	59 in. x 88½ in. (1500 mm x 2250 mm)	70¾ in. x 98½ in. (1800 mm x 2500 mm)	70¾ in. x 98½ in. (1800 mm x 2500 mm)
Minimum ceiling opening (W x H)	47¼ in. x 112¼ in. (1200 mm x 2850 mm)	59 in. x 112¼ in. (1500 mm x 2850 mm)	59 in. x 126 in. (1500 mm x 3200 mm)	70¾ in. x 130 in. (1800 mm x 3300 mm)	70¾ in. x 137¾ in. (1800 mm x 3500 mm)
Minimum ceiling opening including pneumatic cleaning system	47¼ in. x 128 in. (1200 mm x 3250 mm)	59 in. x 128 in. (1500 mm x 3250 mm)	59 in. x 141¾ in. (1500 mm x 3600 mm)	70¾ in. x 145¾ in. (1800 mm x 3700 mm)	70¾ in. x 153½ in. (1800 mm x 3900 mm)

Delivery Condition *(continued)*

Special delivery condition (partially disbanded)

For special circumstances like restricted space to bring the boiler into the heating room, the size of the boiler can be reduced by detaching additional components to the ones as described in section "Standard delivery condition". The assembly of these components require additional assembly time of approximately 6 hours.

The following additional objects will be delivered disbanded:

- The heat exchanger and the combustion chamber are separate
- No brickwork inside the heat exchanger and combustion chamber
- No insulation and panels are attached to the heat exchanger

Measurements of the largest part for reduced boiler size

Boiler model	RF 150	RF 220	RF 300	RF 400	RF 540
Minimum size door	35½ in. x 49¼ in. (900 mm x 1250 mm)	46 in. x 61 in. (1170 mm x 1550 mm)	46 in. x 61 in. (1170 mm x 1550 mm)	55 in. x 67 in. (1400 mm x 1700 mm)	55 in. x 67 in. (1400 mm x 1700 mm)
Minimum ceiling opening (W x H)	39¼ in. x 102¼ in. (1000 mm x 2600 mm)	49¼ in. x 103¼ in. (1250 mm x 2620 mm)	49¼ in. x 118 in. (1250 mm x 3000 mm)	59 in. x 122 in. (1500 mm x 3100 mm)	59 in. x 130 in. (1500 mm x 3300 mm)

Special delivery condition (fully disbanded)

For special circumstances like heavily restricted space to bring the boiler into the heating room, the size of the boiler can be reduced by detaching additional components to the ones as described in section "Standard delivery condition" and "Special delivery condition partially disbanded". The assembly of these components require welding and additional assembly time of approximately 20 hours.

The following additional objects will be delivered disbanded:

- The heat exchanger is a separate piece
- The flue gas collector is detached from the heat exchanger
- The boiler door is detached from the heat exchanger (welding required)

Measurements of the largest part for reduced boiler size

Boiler model	RF 150	RF 220	RF 300	RF 400	RF 540
Minimum size door	35½ in. x 49¼ in. (900 mm x 1250 mm)	46 in. x 59 in. (1170 mm x 1500 mm)	46 in. x 59 in. (1170 mm x 1500 mm)	55 in. x 67 in. (1400 mm x 1700 mm)	55 in. x 67 in. (1400 mm x 1700 mm)
Minimum ceiling opening (W x H)	39¼ in. x 85 in. (1000 mm x 2160 mm)	49¼ in. x 85¾ in. (1250 mm x 2180 mm)	49¼ in. x 98¾ in. (1250 mm x 2510 mm)	59 in. x 96½ in. (1500 mm x 2450 mm)	59 in. x 110 in. (1500 mm x 2800 mm)

Wood Fuel Requirements

The Vitoflex 300-RF is only suitable for burning fuels listed in this section.

A prerequisite for approval is of a fuel by Viessmann is the approval for the fuel by the responsible public authorities.

Warranty claims for Viessmann Biomass boilers are excluded if the following fuel conditions are not met.

Allowed fuels

- Forest wood and plantation wood (complete untreated trees and trunk wood):
Mature wood from trunks and branches, untreated, chopped to chips
- Compressed wood, pellets conforming to standards, as per CAN/CSA-B366.1-M91, size P1, P2, P4.

IMPORTANT

If different fuels are used, Viessmann will not assume any liability for the functioning or service life of the boiler plant. Refer to the "Warranty" section in the General Terms and Conditions of Delivery.

- Burn wood only
- Do not use chemicals or fluids to start fire.
- Do not burn garbage, gasoline, naphtha, engine oil, or other inappropriate materials.

Untreated wood with limited bark content, compressed by machine and calibrated

Fuel	Minimal Diameter	Maximal Diameter
P1 - Pellets Small	---	3/8 in. (10 mm)
P2 - Pellets Medium	3/8 in. (10 mm)	3/4 in. (20 mm)
P4 - Briquettes (Pellets Large)	3/4 in. (20 mm)	2 1/2 in. (60 mm)

- Wood with an increased proportion of bark, tree cuttings from roadside trees (untreated):
Wood remnants from the forestry and sawmill industries or from landscape conservation (likelihood of elevated ash content).
- Remnants from derived timber products:
Usually a mixture of untreated and treated wood in the form of shavings from processing machinery and chips from choppers.
- Used wood:
This is untreated wood that has been used prior to its energetic utilization (e.g. pallets). It is reduced in size by shredders for thermal utilization. The metal parts have to be removed by magnetic separators.

Size of Wood Chips as per CAN/CSA-B366.1-M91, Grade C7

Total mass 100%		G 30 Fine	G 50 Medium
Coarse percentage max. 20%	Max. cross-section	in. ² (cm ²)	1/2 (3)
	Max. length	in. (cm)	3 1/3 (8.5)
	Coarse sieve nominal mesh width	in. (mm)	5/8 (16)
Main percentage 60 to 100%	Medium sieve nominal mesh width	in. (mm)	1/4 (5.6)
Percentage of fines (incl. ultrafine content) max. 20%	Fine sieve nominal mesh width	in. (mm)	1/25 (1)



CAUTION

Chips have to pass through a 1 in. (25 mm) sieve, additionally, a fraction of max. 5% of the fuel with a cross-section of max. 3/4 in² (500 mm²) up to a length of max. 6 1/4 in. (160 mm) can be tolerated.

Size of briquettes:

- Fraction of one-offs. max. 5% with cross-section of max. 3/4 in² (500 mm²) up to a length of max. 6 1/4 in. (160 mm).
- Frayed surface by chopping tools (shredders) or slow-running choppers.
- Briquettes, diameter max. 2 3/8 in. (60 mm).

Consequence of overstepping particle size:

- Increased maintenance because of a substantially higher risk of malfunction
- Shortened service life of the conveyor augers and drives

Wood Fuel Requirements *(continued)*

Maximum water content

The maximum allowable water content of the fuel for Vitoflex 300-RF systems is limited to 35%.
The water content impacts the maximum boiler output.

Non-wood fuels

Non-wood fuels, even if consisting of biomass, such as needles, foliage, grain, straw, fruit pits, etc., are unsuited as fuel for boiler operation and may not be used.

Limitation super fines & dust [wood particles smaller than 1/32 in. (1.0 mm)]

Max. 10.0% of the total mass; if fuel does not comply with this limit the following process may occur:

- Temperature peaks
- Slag formation
- Even higher temperature
- This process leads to damage by overheating and can affect refractory materials.

Elevated values are especially critical for remnant wood in combination with elevated values of Chlorine and Sulphur.

Suitable fuel types for Vitoflex 300-RF systems

- Bulk density (**S**) in kg/m³ [lb/ft³], water content (**W**) in %, size C1, C7, P1, P2, P4 as per CAN/CSA-B366.1-M91.

Note: Fuel for Vitoflex 300-RF systems allow for a max. of 35% water content (**W**).

Saw dust

Fuel code	Bulk Density kg/m ³ [lb/ft ³]	Water content %	Fuel Size	Description
a	S 130 [8.1]	W 10 to W 20	C1	Sawdust, untreated (planing shop)
b1	S 200 [12.5]	W 20 to W 35	C1	Sawdust, untreated (sawmill)
c2	S 250 [15.6]	W 35 to W 50	C1	Sawdust, untreated (sawmill)

Wood chips

Fuel code	Bulk Density kg/m ³ [lb/ft ³]	Water content %	Fuel Size	Description
b2	S 200 [12.5]	W 20	C7	Forest wood chips, soft, untreated
c1	S 250 [15.6]	W 20 to W 35	C7	Forest wood chips, soft, untreated
d1	S 300 [18.7]	W 20 to W 35	C7	Forest wood chips, soft/hard, untreated
d2	S 300 [18.7]	W 35 to W 50	C7	Forest wood chips, soft, untreated
e1	S 350 [21.8]	W 20 to W 35	C7	Forest wood chips, hard, untreated
e2	S 350 [21.8]	W 35 to W 50	C7	Forest wood chips, soft/hard, untreated
f1	S 400 [24.9]	W 35 to W 50	C7	Forest wood chips, hard, untreated

Shavings and chips

Fuel code	Bulk Density kg/m ³ [lb/ft ³]	Water content %	Fuel Size	Description
g	S 130 [8.1]	Less than W 15	C7	Shavings & chips from wood remnants, dry, mixed
h	S 200 [12.5]	Less than W 15	C7	Shavings & chips from wood remnants, dry, mixed
i	S 250 [15.6]	Less than W 15	C7	Shavings & chips from wood remnants, dry, mixed

Pellets and briquettes

Fuel code	Bulk Density kg/m ³ [lb/ft ³]	Water content %	Fuel Size	Description
j	S 350 [21.8]	Less than W 15	P4	Briquettes from wood remnants 3/4 in. (20 mm) to max. 2 in. (60 mm)
k1	S 650 [40.6]	Less than W 10	P1	untreated up to 3/8 in. (10 mm)
k2	S 650 [40.6]	Less than W 10	P2	untreated 3/8 in. to 3/4 in. (11 mm to 20 mm)

Note: For size of wood chips, see page 7.

Wood Fuel Requirements *(continued)*

Content limits for non-combustible substances

- No wood fuels may contain any foreign bodies, such as pieces of metal, stones, masonry remnants or plastics.

The following limits (per lb/kg of dry fuel) of contained non-combustible substances apply [ash analyzed at a temperature of 1500°F (815°C)]:

Substance	Limit	Comparative value untreated forest wood
Chlorine (Cl)	max. 300 ppm (300 mg/kg)	10 ppm (10 mg/kg)
Sulphur (S)	max. 1000 ppm (1000 mg/kg)	120 ppm (120 mg/kg)
Total Cl, S	max. 1000 ppm (1000 mg/kg)	130 ppm (130 mg/kg)
Ash content, total	max. 0.25 oz/lb (15.0 g/kg)	0.08 oz/lb (5.0 g/kg)
Alkali oxides in the ash (K ₂ O and Na ₂ O)	max. 0.016 oz/lb (1.0 g/kg)	0.006 oz/lb (0.35 g/kg)
Sintering point of the ash	min. 1800°F (1000°C)	approx. 2200°F (1200°C)

If fuel does not comply with these limits, there is a risk of corrosion within the heat exchanger and early sintering and melting of the ash which leads to:

- Shortened life of the heat exchanger
- Increased maintenance costs (firing, boiler door)

The maintenance instructions need to be complied with in order to avoid a process, which will increasingly cause damage to the boiler.

If maintenance instructions are not complied with the following process may occur:

- Cinders change the airflow
- Temperature peaks
- More slag is produced
- More cinder builds up and changes the airflow more

This process leads to damage by overheating and may affect refractory materials.

Additives in remnant and used wood have to be free of heavy metals and halogen compounds.

Other information

- Ash and cleaning:
 Untreated wood without bark produces less than 0.5% ash of the fuel mass supplied. All the specifications regarding cleaning are based on untreated wood with bark attached with an ash amount of 0.8% of the fuel mass.
 If the ash content is higher and/or the ash melting point is lower, increased maintenance and/or cleaning are required.
- Changing fuels:
 A substantial change in fuel quality, such as bulk density, water content, dust proportion or ash content might require a manual correction of the firing parameters (see Operating section).

Power Failure Provision

Customers must ensure that there is a supply of water independent of the electrical supply. This design ensures that in case of a power failure, the boiler will be reliably cooled by the thermal safety flush valve.

Backup power supply or backup generator is highly recommended to ensure continuous operation in the event of power failure.

Venting Requirements

The Vitoflex 300-RF Rotating Combustion system is equipped with a flue gas exhaust blower.

This boiler must be properly vented. Use a vent material certified for use with solid-fuel fired equipment.

This boiler shall be connected to:

- a) a masonry chimney conforming to local regulations or, in the absence of such regulations, to the requirements of the National Building Code.
- b) a certified factory-built chimney (refer to the NFPA 211 standard).

A flue pipe serving this boiler shall be constructed of steel or other suitable material with a melting point of not less than 2000°F (1100°C).

IMPORTANT

Do not use galvanized steel.

For installations in Canada:

The boiler venting system must be tested and listed by a Nationally Recognized Testing Lab such as ULC/CSA for solid fuel burning appliances.

The Vitoflex 300-RF rotating combustion system is output-controlled within a range from 30%-100% of the rated boiler output. This produces flue gas temperatures from min. 212°F (100°C) to max. 482°F (250°C).

An insulated chimney should be provided to prevent sooting, condensation and creosote formation.

The distance from the flue gas exhaust blower to the chimney should be as short as possible. 90° elbows should be avoided if possible. Flue gas pipes of more than 3 ft. (1 m) in length must be insulated.

The connection to the chimney should be made such that it rises at an angle of 30°- 45° (to prevent excess ash accumulating in the lateral section of the vent pipe).

The flue gas line, including the lead-in into the chimney, must be gas-tight.

Mechanical Room

Ensure the mechanical room complies with the requirements in these instructions.

Viessmann recommends the installation of an additional electrical disconnect switch and a fuel shut-off valve (if possible) outside the mechanical room or enclosed area of installation.

A separate, dry heating room must always be provided for the Vitoflex 300-RF rotating combustion system. No combustible materials may be stored in the heating room. The heating boiler may only be set up on a fire and temperature resistant floor.

No temperature-sensitive pipes or lines may be installed in the floor beneath the heating boiler.

The temperature in the heating room must not exceed 104°F (40°C) while the system is in operation (in the area approx. 3 ft. (1 m) away from the boiler).

The temperature in the heating room must not fall below 50°F (10°C) while the system is in operation (measured at the inner side of exterior walls).

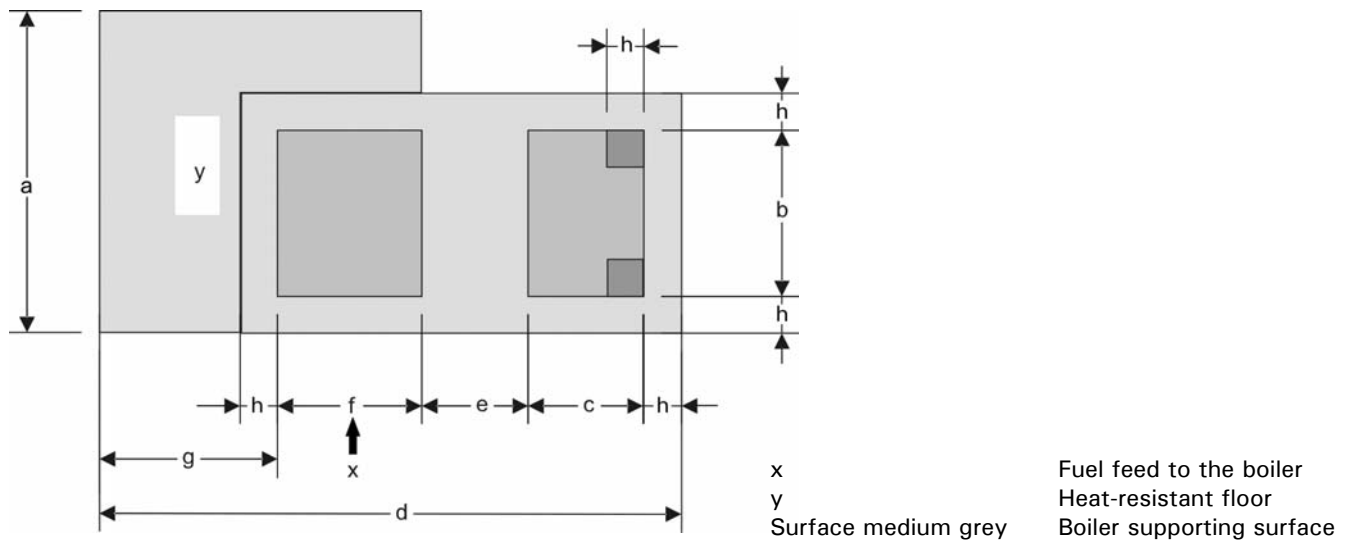
The load-bearing capacity of the heating room floor must be designed for the weight of the system plus filling with water and fuel. The load-bearing capacity of the floor in the area of the boiler bearing surface must be 512 lb/ft² (2500 kg/m²).

IMPORTANT

Always follow the most up-to-date local, municipal and building regulations and codes.

The minimum distance to the walls and ceiling required according to the table of dimensions for proper cleaning and maintenance of the boiler must be complied with.

A sufficient supply of fresh air must be provided directly from outdoors into the heating room. Induced ventilation is necessary for heating rooms that are confined or enclosed.



Foundation dimensions

Boiler model		RF 150	RF 220	RF 300	RF 400	RF 540
a	in. (mm)	61 ¹³ / ₁₆ (1570)	80 ¹¹ / ₁₆ (2050)	80 ¹¹ / ₁₆ (2050)	96 ⁷ / ₈ (2460)	96 ⁷ / ₈ (2460)
b	in. (mm)	34 ¹ / ₄ (870)	45 ¹ / ₄ (1150)	45 ¹ / ₄ (1150)	54 ³ / ₄ (1390)	54 ³ / ₄ (1390)
c	in. (mm)	24 ³ / ₈ (620)	26 ³ / ₄ (680)	26 ³ / ₄ (680)	31 ¹ / ₂ (800)	31 ¹ / ₂ (800)
d	in. (mm)	112 ³ / ₁₆ (2850)	123 ¹ / ₄ (3130)	142 ¹ / ₄ (3613)	147 ¹ / ₈ (3738)	161 ¹ / ₂ (4103)
e	in. (mm)	20 ¹ / ₂ (520)	20 ¹ / ₂ (520)	28 ¹ / ₂ (723)	17 ⁵ / ₈ (448)	21 ³ / ₈ (543)
f	in. (mm)	29 ¹ / ₈ (740)	29 ¹ / ₈ (740)	34 ⁵ / ₈ (880)	37 ¹³ / ₁₆ (960)	43 ¹¹ / ₁₆ (1095)
g	in. (mm)	34 ¹ / ₄ (870)	45 ¹ / ₄ (1150)	45 ¹ / ₄ (1150)	54 ³ / ₄ (1390)	54 ³ / ₄ (1390)
h	in. (mm)	9 ⁷ / ₈ (250)	9 ⁷ / ₈ (250)	9 ⁷ / ₈ (250)	9 ⁷ / ₈ (250)	9 ⁷ / ₈ (250)

Combustion Air Supply

Codes

Provision for combustion and ventilation air must be made in accordance with applicable local codes.

In the absence of local codes, use:

CSA B365-10, Installation Code for Solid Fuel Burning Appliances and Equipment.

Always use latest edition codes.



WARNING

Failure to provide an adequate supply of fresh combustion air can cause poisonous flue gases to enter living space. Flue gases entering living space can cause carbon monoxide poisoning which can result in severe personal injury or loss of life.



WARNING

Never cover the boiler or store debris or other materials near the boiler, or in any way block the flow of adequate fresh air to the boiler. Never cover the combustion air opening. Advise system operator / ultimate owner accordingly.

General

This equipment requires fresh air for safe operation and must be installed ensuring provisions for adequate combustion and ventilation air exist.

Whenever possible, install boiler near an outside wall so that it is easy to duct fresh air directly to the boiler area.

The boiler location must never be under negative pressure. Exhaust blowers, attic blowers, or dryer blowers may cause air to be exhausted at a rate higher than air can enter the structure for safe combustion.

The heating contractor shall ensure all of the following requirements are met:

- An adequate supply of combustion air must be available to ensure proper combustion.
- Ambient air temperatures must be maintained within safe operating limits.
- When a damper is provided in any opening intended to admit combustion air into the room within which the appliance is installed, the damper shall be interlocked to prevent any burner from starting before the damper is fully open.
- Each duct used to convey air from the outdoors shall have:
 1. a cross-sectional area throughout its length at least equal to the free area of the inlet and outlet openings which it connects,
 2. making a provision for outside combustion air, the intake shall not be less than 1 ft. (0.3 m) above the anticipated snow level for the location.
- The heating contractor must check with local authorities (municipal building department) for combustion air requirements particular to the area.

Confined spaces

When a furnace or boiler is enclosed in a space that has a volume less than 20% of that to be heated by the appliance, the space shall:

- a) have a permanent opening or openings for natural air circulation with a minimum net free area of 1.5 in² / 1000 Btu/h (3300 mm² / kW) input, and
- b) connect to another space or spaces such that the total volume of air available for natural air circulation is at least 30% of the total volume to be heated by the appliance.

The minimum dimension of any opening specified in item (a) shall be no less than 1 in. (25 mm) The lower edge of at least one opening shall be located within 1.5 ft. (0.5 m) of the floor of the enclosed space, and the upper edge of at least one opening shall be located within 1.5 ft. (0.5 m) of the ceiling of the enclosed space.

Note: The intent of this Clause is to allow either one long vertical opening or two shorter horizontal openings, one high and the other low, to allow for air circulation to prevent overheating of the appliance.

Unconfined spaces

Where the boiler is located in an unconfined space in a building having insufficient infiltration, additional air for combustion and ventilation shall be obtained from outdoors or from spaces freely communicating with the outdoors. Under these conditions, permanent opening(s) shall be provided so that the total air received through these openings will be at least as much as would be admitted by openings having a total free area of 1 in² / 5,000 Btu/h or (450 mm² / kWh) of the total input rating of all wood-fired appliances.

Louvers and grilles

In calculating free area as specified, consideration shall be given to the blocking effect of louvers, grilles, or screens that protect openings. Screens shall be no smaller than ¼ in. (6 mm) mesh and shall be readily accessible for cleaning. If the free area through a design of louver or grille is known, it shall be used in calculating the size of opening required to provide the free area specified. If the design and free area are not known, it shall be assumed that wood louvers have 20 - 25% free area and metal louvers and grilles have 60 - 75% free area.

Negative pressure

Systems, including a combination of exhaust fans and a combination of air fans shall not be installed or controlled to permit the creation of a negative pressure in the boiler room relative to the breaching and flue.

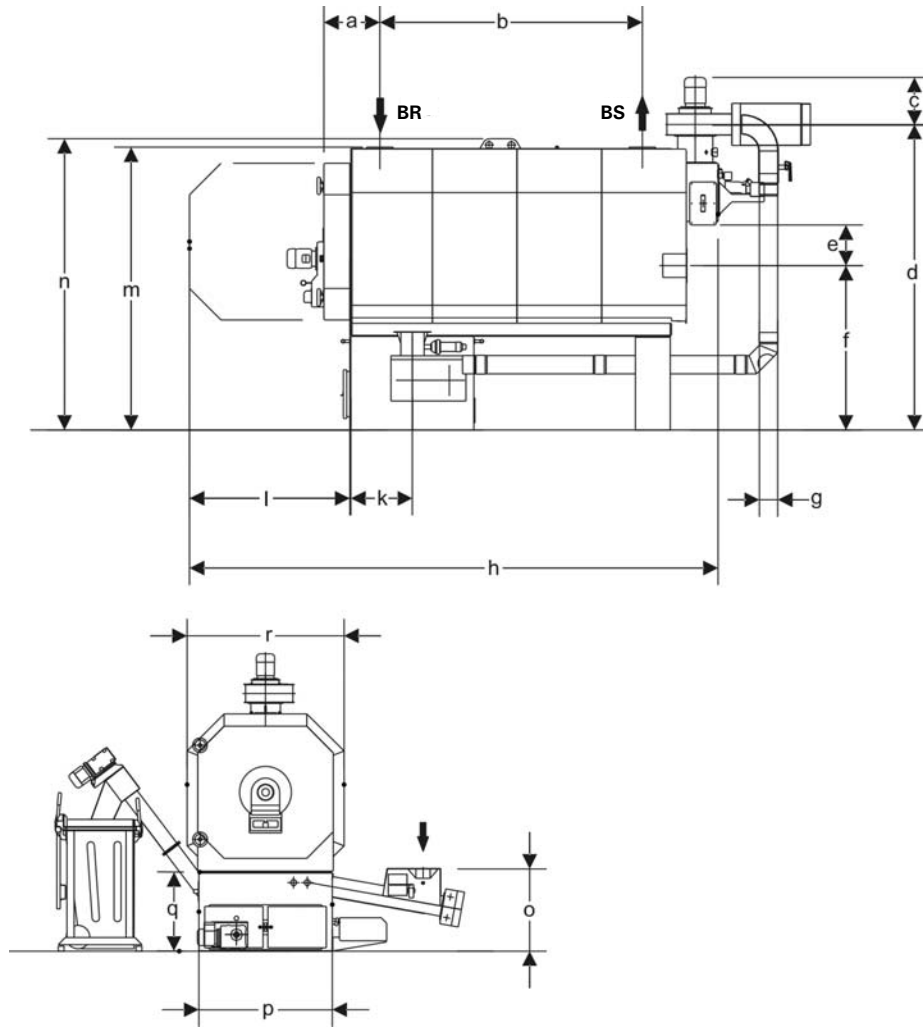
Technical Data

Boiler model		RF 150	RF 220	RF 300	RF 400	RF 540
Maximum output	MBH (kW)	512 (150)	751 (220)	1024 (300)	1365 (400)	1843 (540)
Minimum output ¹	MBH (kW)	154 (45)	205 (60)	273 (80)	341 (100)	478 (140)
Efficiency	--	85%				
Fuel moisture content ²	%	W 35				
Size of wood chips ³	--	G 30 / G 50 as per CAN/CSA-B366. 1-M91				
Flue gas figures						
Connection flue gas pipe Ø A	in. (mm)	97/8 (250)	97/8 (250)	117/8 (300)	137/8 (350)	137/8 (350)
Mass flow rate; W5; O ₂ 6%	lb/s (g/s)	0.18 (80.4)	0.26 (117.9)	0.35 (160.8)	0.47 (214.4)	0.64 (289.44)
Volume flow; W5; O ₂ 6%; 150°C (302° F)	ft ³ /s (m ³ /s)	3.1 (0.09)	4.9 (0.14)	6.7 (0.19)	8.8 (0.25)	12.4 (0.35)
Mass flow rate; W35; O ₂ 8%;	lb/s (g/s)	0.24 (106.9)	0.35 (156.9)	0.47 (213.9)	0.63 (285.2)	0.85 (385.1)
Volume flow;W35; O ₂ 8%; 150°C (302° F)	ft ³ /s (m ³ /s)	4.2 (0.12)	6.7 (0.19)	8.8 (0.25)	12.0 (0.34)	16.2 (0.46)
Average flue gas temperature at full load ⁴	°F (°C)	320 (160)				
Average flue gas temperature at partial load ⁴	°F (°C)	266 (130)				
Chimney draft required	Pa	± 0				
Electrical connections						
Electrical connections, total	kW	2.67	2.85	3.6	3.98	3.63
Igniter	kW	1.6	1.6	1.6	1.6	1.6
Flue gas exhaust blower	kW	0.55	0.55	0.75	1.1	1.1
Rotary blower	kW	0.12	0.12	0.12	0.12	0.12
In-feed auger	kW	0.37	0.55	1.1	1.1	0.75
Grate drive unit	kW	0.03	0.03	0.03	0.06	0.06
Electric power consumption at full load	kW	1.032	1.108	1.521	1.868	1.753
Electric power consumption at partial load	kW	0.355	0.369	0.434	0.480	0.460
Heating						
Water side resistance (diff. 27°F/15 K)	"wc (mbar)	13 (38)	30 (76)	16 (42)	11 (29)	22 (56)
Boiler water volume	USG (L)	114 (430)	209 (790)	238 (900)	350 (1330)	399 (1510)
Heating surface	ft ² (m ²)	116.3 (10.8)	172.3 (16.0)	222.9 (20.7)	310.1 (28.8)	424.1 (39.4)
Volume on heating gas side	USG (L)	99 (374)	197 (744)	233 (883)	354 (1340)	426 (1613)
Volume of ash container for grate ash	USG (L)	8 (32)	12 (45)	15 (55)	20 (75)	24 (91)
Volume of ash container for flue gas cyclone	USG (L)	24 (90)				
Test pressure ⁵	psi (bar)	60 or 90 (4 or 6)				
Maximum allowable working pressure (water) ⁵	psi (bar)	30 or 60 (2 or 4)				
Maximum water temperature	°F (°C)	250 (120)				
Minimum return temperature	°F (°C)	149 (65)				
Weight						
Weight of combustion chamber	lb. (kg)	1049 (477)	1278 (581)	1410 (641)	1712 (778)	2061 (937)
Weight of pressure vessel (30 psi) ⁶	lb. (kg)	4885 (2216)	6535 (2964)	7408 (3360)	9764 (4429)	11233 (5095)
Weight of pressure vessel (60 psi) ⁶	lb. (kg)	4974 (2256)	6667 (3024)	7452 (3380)	9875 (4479)	11453 (5195)
Weight of displacement rods	lb. (kg)	191 (87)	310 (141)	359 (163)	484 (220)	636 (289)
Weight of flue gas exhaust blower	lb. (kg)	88 (40)	88 (40)	99 (45)	136 (62)	136 (62)
Weight of in-feed auger	lb. (kg)	315 (143)	315 (143)	315 (143)	315 (143)	328 (149)
Total weight without water (30 psi) ⁷	lb. (kg)	6532 (2963)	8530 (3869)	9595 (4352)	12416 (5632)	14401 (6532)
Total weight without water (60 psi) ⁷	lb. (kg)	6620 (3003)	8662 (3929)	9639 (4372)	12527 (5682)	14621 (6632)
Total weight with water (30 psi) ⁷	lb. (kg)	7485 (3395)	10280 (4663)	11585 (5255)	15340 (6958)	17730 (8042)
Total weight with water (60 psi) ⁷	lb. (kg)	7573 (3435)	10412 (4723)	11629 (5275)	15450 (7008)	17950 (8142)

- ¹ Minimum load: Operation with modulated control (Infinitely variable power control)
Low load with ON Qmin / OFF (Stop-and-go mode)
- ² Moist fuels: > W35 further limitations regarding output, degree of efficiency and control behavior. > 35% MC will limit the output, decrease efficiency and introduce sub optimum control of combustion etc. In addition, the quote for Vitoflex 300 RF is insufficient to allow for complete combustion of fuels in excess of 35% moisture content.
- ³ Specification: See section on Wood Fuel Requirements
- ⁴ Flue gas temperature: An increase is possible by removing the displacement rods [Full load 86°F (30°C); Partial load 50°F (10°C)]
- ⁵ Pressure: Per ASME Sec. IV
- ⁶ Weight: Includes door and refractory concrete lining
- ⁷ Overall weight: Includes displacement rods
- Other influences: Fuel, water content, ash content, pneumatic cleaning system yes/no; track time (number of operating hours without cleaning).
Specifications for the start of the track time [toward the end of the track time there is an increase in the flue gas temperature by approx. 68°F (20°C)]

Boiler Dimensions

BR Boiler Return
BS Boiler Supply

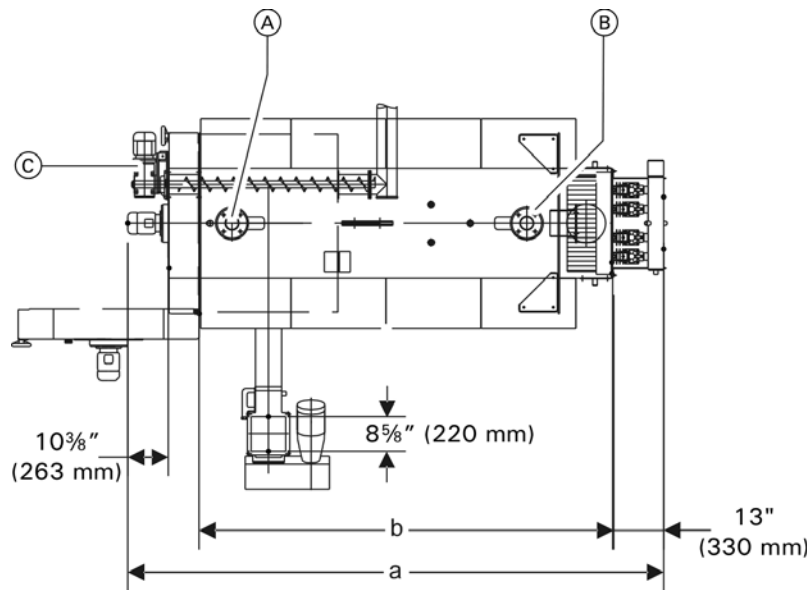


Dimensions

Boiler Model		RF 150	RF 220	RF 300	RF 400	RF 540
a	in. (mm)	15 ⁷ / ₁₆ (392)	16 (406)	16 (406)	18 ³ / ₈ (466)	18 ³ / ₈ (466)
b	in. (mm)	60 ⁵ / ₈ (1541)	60 (1525)	73 ¹³ / ₁₆ (1875)	70 ⁷ / ₈ (1800)	79 ¹⁵ / ₁₆ (2030)
c	in. (mm)	14 ¹ / ₁₆ (358)	14 ¹ / ₁₆ (358)	13 ⁷ / ₈ (352)	14 ³ / ₄ (375)	14 ³ / ₄ (375)
d	in. (mm)	75 ¹ / ₈ (1908)	85 ³ / ₈ (2168)	86 ¹ / ₈ (2182)	96 ³ / ₄ (2457)	99 ¹ / ₂ (2527)
e	in. (mm)	11 ¹⁵ / ₁₆ (303)	12 ⁷ / ₁₆ (316)	12 ⁷ / ₁₆ (316)	12 ⁹ / ₁₆ (319)	12 ⁹ / ₁₆ (319)
f	in. (mm)	43 (1093)	46 ⁷ / ₁₆ (1179)	46 ⁷ / ₁₆ (1179)	48 (1219)	50 ³ / ₈ (1279)
g	in. (mm)	3 (DN 80)	3 (DN 80)	5 (DN 125)	5 (DN 125)	5 (DN 125)
h	in. (mm)	122 ¹³ / ₁₆ (3120)	134 ¹³ / ₁₆ (3424)	148 ¹³ / ₁₆ (3780)	157 ⁵ / ₈ (4004)	166 ⁵ / ₈ (4232)
k	in. (mm)	14 ⁹ / ₁₆ (370)	14 ⁹ / ₁₆ (370)	17 ⁵ / ₁₆ (440)	17 ⁵ / ₁₆ (440)	21 ⁵ / ₈ (549)
l	in. (mm)	34 ¹ / ₄ (870)	45 ¹ / ₄ (1150)	45 ¹ / ₄ (1150)	54 ³ / ₄ (1390)	54 ³ / ₄ (1390)
m	in. (mm)	69 ¹ / ₂ (1765)	79 ¹¹ / ₁₆ (2024)	79 ¹¹ / ₁₆ (2024)	89 ¹ / ₁₆ (2262)	91 ¹³ / ₁₆ (2332)
n	in. (mm)	71 ⁷ / ₈ (1825)	82 ¹ / ₁₆ (2084)	82 ¹ / ₁₆ (2084)	95 ³ / ₈ (2422) *1	98 ¹ / ₈ (2492) *1
o	in. (mm)	27 ⁹ / ₁₆ (700)	27 ⁹ / ₁₆ (700)	27 ⁹ / ₁₆ (700)	27 ⁹ / ₁₆ (700)	29 ³ / ₁₆ (742)
p	in. (mm)	34 ¹ / ₄ (870)	45 ¹ / ₄ (1150)	45 ¹ / ₄ (1150)	54 ³ / ₄ (1390)	54 ³ / ₄ (1390)
q	in. (mm)	26 ¹ / ₂ (673)	26 ¹ / ₂ (673)	26 ¹ / ₂ (673)	26 ¹ / ₂ (673)	29 ¹ / ₂ (750)
r	in. (mm)	41 ³ / ₈ (1050)	52 ³ / ₈ (1330)	52 ³ / ₈ (1330)	61 ⁷ / ₈ (1570)	61 ⁷ / ₈ (1570)

*1 For Vitoflex 300-RF 400/540 - Suspension gear is detachable.

Boiler Dimensions *(continued)*



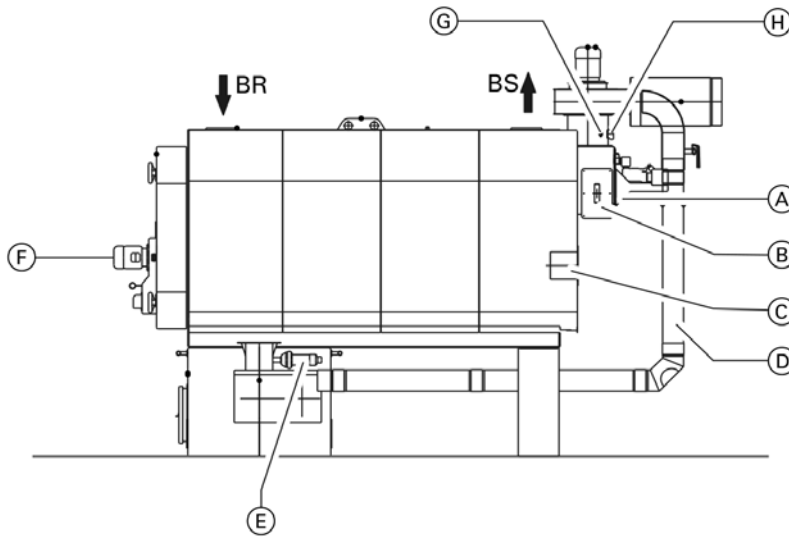
Legend

- (A) Boiler Return
- (B) Boiler Supply
- (C) Automatic de-ashing assembly with ash container (optional)

Dimensions

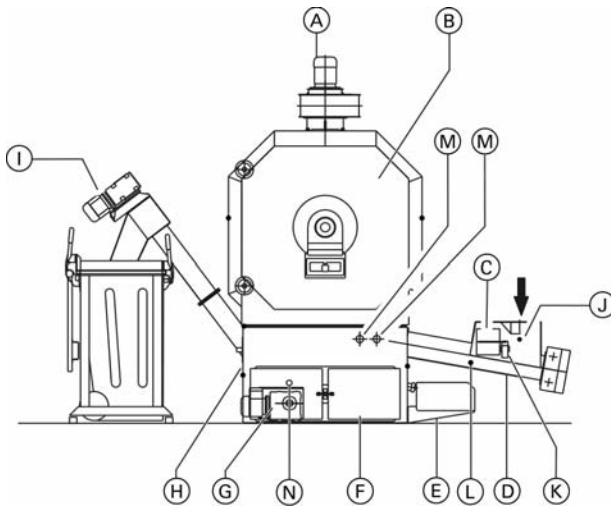
Boiler Model		RF 150	RF 220	RF 300	RF 400	RF 540
a	in. (mm)	119½ (3035)	120½ (3059)	134 ⁷ / ₁₆ (3415)	136 ¹ / ₈ (3457)	145 ¹ / ₁₆ (3685)
b	in. (mm)	88 ⁹ / ₁₆ (2250)	89½ (2274)	103 ⁹ / ₁₆ (2630)	102 ¹⁵ / ₁₆ (2614)	111 ⁷ / ₁₆ (2842)

Boiler Components



Legend

- (A) Pneumatic cleaning system (optional)
- (B) Cleaning cover, flue gas collector, alternate port for the flue gas exhaust blower
- (C) Cover with sight glass
- (D) Recirculation gas line, line routing variable
- (E) Igniter
- (F) Rotary blower
- (G) Flue gas temperature sensor
- (H) Oxygen sensor
- BS Boiler Supply
- BR Boiler Return



Legend

- (A) Flue gas exhaust blower
- (B) Boiler door with rotary blower
- (C) Extinguishing water connection $\frac{3}{4}$ in.
- (D) In-feed auger
- (E) Grate motor
- (F) Ash doors of the grate ash container (2 units)
- (G) Motor for automatic de-ashing assembly
- (H) Combustion chamber
- (I) Incline auger for automatic de-ashing assembly
- (J) Light barrier for in-feed auger
- (K) Limit switch for maintenance cover
- (L) Temperature sensor for in-feed auger
- (M) Light barrier for ember monitoring (2 locations)
- (N) Light barrier for automatic de-ashing assembly

Automatic De-ashing Assembly with Ash Container

Description

De-ashing in Ash Bin, 63.5 USG (240 L)
 De-ashing in Ash Bin, 211.3 USG (800 L)

Complete auger de-ashing from the ash chamber for the fire block into an externally situated movable galvanized ash bin. A light barrier control system keeps the level of the ashes constantly over the auger.
 As a result, the ash in the ash pan under the incineration system can burn out, and in normal operation only cool ash that has burned out is conveyed into the container.

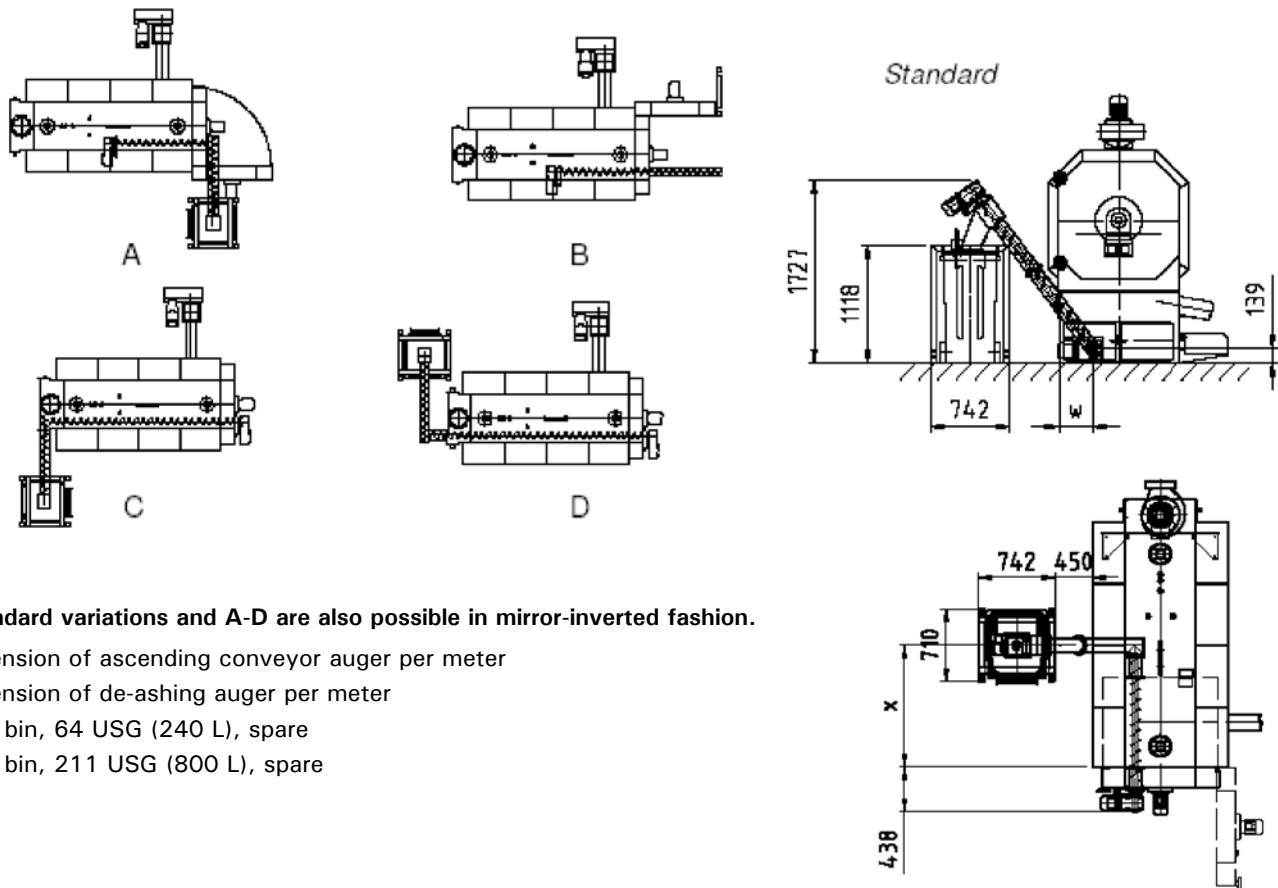
Supplied with:

- Boiler ash chamber with ash level control system and de-ashing auger made of high-temperature steel drive via worm-gear motor
- Connection station with moveable ash bin
- Triggering system for the drives
- Infrared light barrier for level monitoring of ash in the combustion chamber

Data and dimensions for de-ashing into ash bin, 64 USG (240 L)

Boiler Model		RF 150	RF 220	RF 300	RF 400	RF 540
Dimensions						
w	in. (mm)	9 ^{13/16} (249)	12 ^{13/16} (319)	12 ^{13/16} (319)	11 ^{7/8} (301)	11 ^{7/8} (301)
x	in. (mm)	40 ^{1/4} (1023)	40 ^{1/4} (1023)	47 (1193)	50 ^{1/8} (1273)	55 ^{7/16} (1408)

Connection station with moveable ash bin; mountable at 90° and thus making it possible to select the direction in which it moves out.



Standard variations and A-D are also possible in mirror-inverted fashion.

- Extension of ascending conveyor auger per meter
- Extension of de-ashing auger per meter
- Ash bin, 64 USG (240 L), spare
- Ash bin, 211 USG (800 L), spare

De-ashing in Base Container

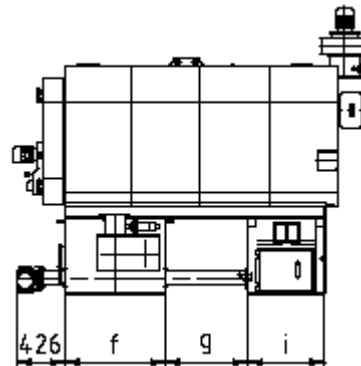
Description

- De-ashing in Base Container (for Vitoflex 300-RF 150)
- De-ashing in Base Container (for Vitoflex 300-RF 220)
- De-ashing in Base Container (for Vitoflex 300-RF 300)
- De-ashing in Base Container (for Vitoflex 300-RF 400)
- De-ashing in Base Container (for Vitoflex 300-RF 540)

Complete de-ashing by auger of the combustion chamber ash chamber into the maximum volume base container situated under the boiler. A light barrier control system keeps the ash level over the auger even. As a result, the ash in the ash chamber under the gasification system can burn out, and in normal operation only cool ash that has burned out is conveyed into the container. With the large base container, maximum maintenance-free intervals are achieved.

Supplied with:

- Boiler ash chamber with ash level control system and de-ashing auger made of high-temperature steel; powered by a worm drive motor
- Base container with maximum volume and two maintenance doors for removing ash by vacuum or rake
- Control of the de-ashing by light barrier



Data and dimensions for de-ashing in base container

Boiler Model		RF 150	RF 220	RF 300	RF 400	RF 540
Dimensions						
f	in. (mm)	29 ¹ / ₈ (740)	29 ¹ / ₈ (740)	34 ⁵ / ₈ (880)	37 ¹³ / ₁₆ (960)	43 ¹ / ₈ (1096)
g	in. (mm)	17 ¹¹ / ₁₆ (450)	20 ³ / ₁₆ (513)	31 (787)	17 ¹⁵ / ₁₆ (456)	21 ¹¹ / ₁₆ (551)
i	in. (mm)	23 ³ / ₈ (593)	26 ³ / ₄ (680)	26 ³ / ₄ (680)	31 ½ (800)	31 ½ (800)
Volume of base container						
USG (L)		63 (240)	95 (360)	100 (380)	158.5 (600)	185 (700)
Weight of complete de-ashing assembly with ash container (in addition to boiler weight)						
lb. (kg)		705 (320)	749 (340)	793 (360)	838 (380)	882 (400)

Pneumatic Cleaning System

Description

Pneumatic Cleaning System (for Vitoflex 300-RF 150)
 Pneumatic Cleaning System (for Vitoflex 300-RF 220)
 Pneumatic Cleaning System (for Vitoflex 300-RF 300)
 Pneumatic Cleaning System (for Vitoflex 300-RF 400)
 Pneumatic Cleaning System (for Vitoflex 300-RF 540)

The complete heat exchanger is cleaned off by periodic blasts of compressed air while the system is in regular operation. During the cleaning process the individual sections are blasted clean one after another.

The ash on the heat exchanger tubes is detached by very short but strong blasts of air. The particles detached are conducted by the flow of gas to the cyclone, where most are filtered out and collected. The system is built into the rear side of the boiler. The compressor should preferably be installed in a cool spot in the heating room.

Function of the control system:

The number of cleaning cycles within one time unit (e.g. per hour) is adapted to the load of the boiler. One individual, complete cleaning cycle consists of a series of pressure impulses over all the sections of the heat exchanger.

Supplied with:

- Nozzle element integrated in the exhaust gas collector, incl. connection piece with heat dissipation plates
- Compressed air distributor with container and valve; with high-temperature hoses connected to the nozzle element
- Compressor (optional) with the following specs: Delivery capacity of 11.3 CFM (0.32 m³/min); tank: 60 USG (227 L); pressure: max. 135 psi; motor: 3 HP, 1200 RPM, 230V, includes pressure controller, pressure switch and operating time limiter; plug and play; noise level of normal design: 75 dBA
- Compressed air hose to max. of 13 ft. (4.0 m) in length and 3/4" in diameter
- Valves permanently wired on terminal strip
- Software component in the control system

To be carried out by the customer:

- Provide a power supply, 120V or 230/1/ 16A

Technical data

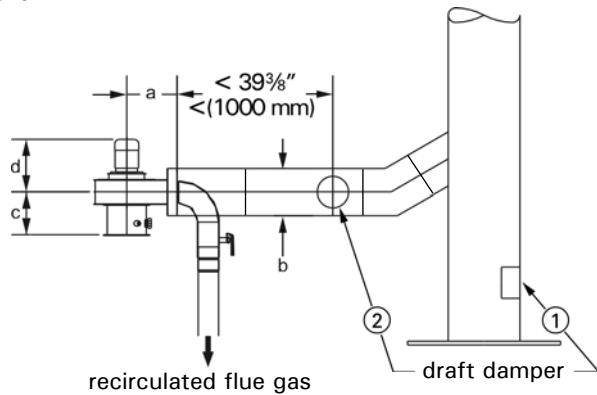
Boiler Model	RF 150	RF 220	RF 300	RF 400	RF 540
Number of zones/valves	4	4	4	5	6
Size of the valves	G 1"	G 1"	G 1"	G 1"	G 1"
Max. air consumption at full load USG/h (L/h)	343 (1300)	660 (2500)	660 (2500)	872 (3300)	1189 (4500)

A customer supplied air compressor has to deliver at least the quantity and quality of air specified and have an adjustable pressure controller as well as a safeguard against hose rupture (e.g. operating time limiter).

Chimney Connection

It is recommended to install a draft damper in the chimney ①.
The draft damper is field supplied.

Optional, the Viessmann supplied draft damper can be installed in the flue gas pipe of the biomass boiler ②.
The draft damper should be installed in the flue gas pipe (not included) as close as possible to the chimney not closer than 39³/₈ In. (1000 mm) to the outlet of the flue gas exhaust blower. The final position has to be arranged with the chimney supplier. The draft damper must be installed in the heating room together with the biomass boiler.



Dimensions

Boiler Model		RF 150	RF 220	RF 300	RF 400	RF 540
a	in. (mm)	11 ¹ / ₂ (292)	11 ¹ / ₂ (292)	12 ¹¹ / ₁₆ (323)	12 ¹¹ / ₁₆ (323)	17 ³ / ₈ (442)
b	in. (mm)	9 ⁷ / ₈ (250)	9 ⁷ / ₈ (250)	11 ⁷ / ₈ (300)	13 ⁷ / ₈ (350)	13 ⁷ / ₈ (350)
c	in. (mm)	9 ¹ / ₈ (232)	10 ¹ / ₈ (257)	10 ⁷ / ₈ (277)	14 (355)	14 (355)
d	in. (mm)	14 ¹ / ₁₆ (358)	14 ¹ / ₁₆ (358)	13 ⁷ / ₁₆ (352)	14 ³ / ₄ (375)	14 ³ / ₄ (375)
e	in. (mm)	9 ⁷ / ₈ (250)	9 ⁷ / ₈ (250)	11 ³ / ₄ (300)	13 ³ / ₄ (350)	13 ³ / ₄ (350)
f	in. (mm)	4 ⁷ / ₈ (125)	4 ⁷ / ₈ (125)	5 ⁷ / ₈ (150)	6 ⁷ / ₈ (175)	6 ⁷ / ₈ (175)

Flue Gas Cyclone

The flue gas cyclone minimizes dust emissions and is designed as a multi cyclone with axial function. The de-duster is fully insulated and has three covers for cleaning. The flue gas cyclone for 300 RF is an option, and is not generally required when burning pellets but is recommended when burning chips.

The crude gas chamber is cleaned via the side cleaning cover. The clean gas chamber is cleaned via the upper or back cleaning cover (unused blower connection).

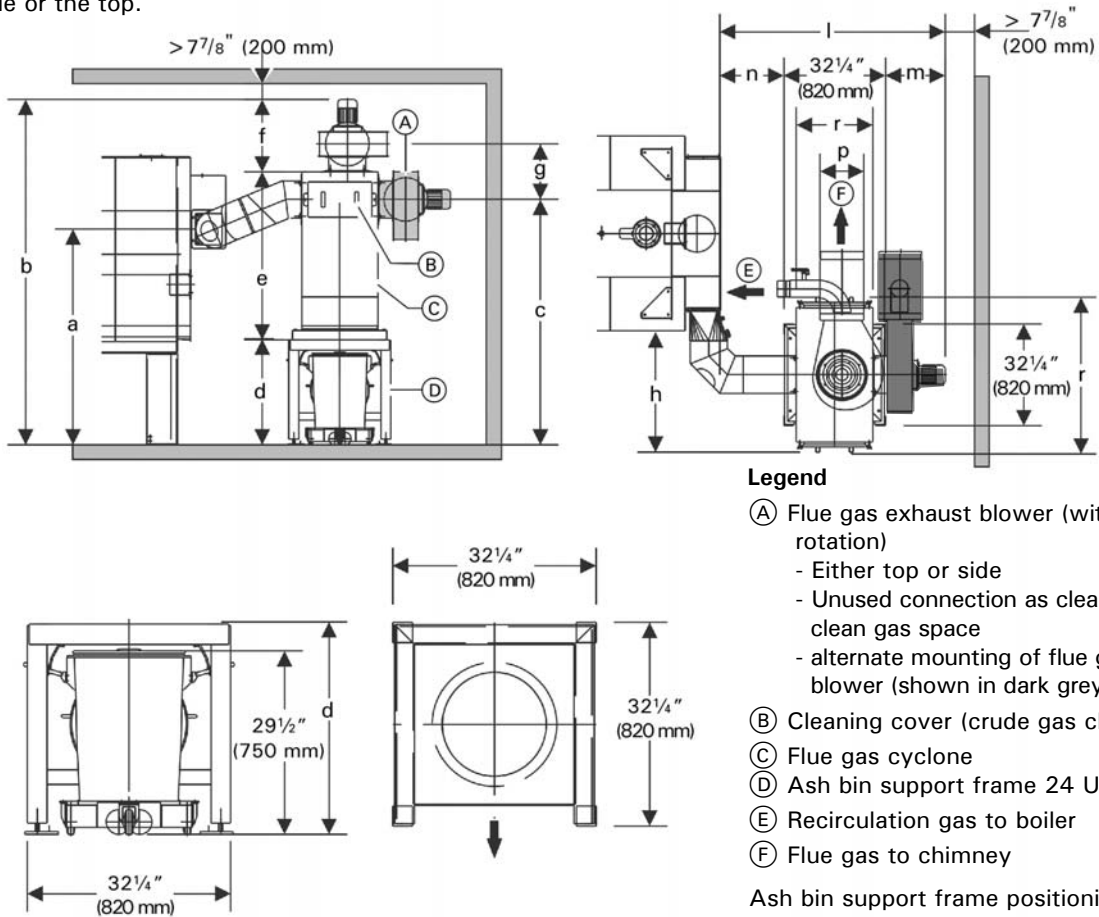
The ash box has a carriage and is connected to the de-duster with quick-action fasteners. It can easily be pulled out for emptying. The blower can be installed either on the side or the top.

Supplied with:

- 1 flue gas cyclone
- 1 ash container 24 USG (90 L)

CAUTION

The effects of heat can create dangerous conditions.



Legend

- Ⓐ Flue gas exhaust blower (with variable rotation)
 - Either top or side
 - Unused connection as cleaning cover, clean gas space
 - alternate mounting of flue gas exhaust blower (shown in dark grey)
- Ⓑ Cleaning cover (crude gas chamber)
- Ⓒ Flue gas cyclone
- Ⓓ Ash bin support frame 24 USG (90 L)
- Ⓔ Recirculation gas to boiler
- Ⓕ Flue gas to chimney

Ash bin support frame positioning is possible in 4 x 90° (extraction, ash bin)

Boiler Model		RF 150	RF 220 / RF 300	RF 400	RF 540
a	in. (mm)	59 ⁷ / ₈ (1521)	64 ¹ / ₈ (1628)	65 ³ / ₄ (1671)	68 ⁹ / ₁₆ (1741)
b	in. (mm)	90 (2285)	100 ¹ / ₂ (2552)	106 ³ / ₈ (2702)	109 ⁵ / ₁₆ (2776)
c	in. (mm)	59 ³ / ₄ (1518)	69 ⁷ / ₈ (1775)	73 ¹³ / ₁₆ (1875)	76 ³ / ₄ (1949)
d	in. (mm)	33 ⁵ / ₁₆ (846)	33 ⁵ / ₁₆ (846)	33 ⁵ / ₁₆ (846)	36 ¹ / ₄ (920)
e	in. (mm)	35 ⁷ / ₁₆ (899)	45 ¹ / ₂ (1156)	49 ⁷ / ₁₆ (1256)	49 ⁷ / ₁₆ (1256)
f	in. (mm)	21 ¹ / ₄ (540)	21 ⁵ / ₈ (550)	23 ⁵ / ₈ (600)	23 ⁵ / ₈ (600)
g	in. (mm)	16 ¹⁵ / ₁₆ (430)	16 ¹¹ / ₁₆ (424)	17 ⁵ / ₈ (447)	17 ⁵ / ₈ (447)
h	in. (mm)	21 ⁷ / ₁₆ (545)	20 ⁷ / ₈ (530)	38 ¹ / ₂ (977)	38 ¹ / ₂ (977)
l	in. (mm)	64 ⁹ / ₁₆ (1640)	56 ¹¹ / ₁₆ (1440)	70 ¹ / ₂ (1790)	70 ¹ / ₂ (1790)
m	in. (mm)	16 ⁵ / ₁₆ (414)	16 ⁵ / ₁₆ (414)	18 ⁷ / ₈ (480)	18 ⁷ / ₈ (480)
n	in. (mm)	11 (280)	14 ⁹ / ₁₆ (370)	14 ⁹ / ₁₆ (370)	14 ⁹ / ₁₆ (370)
p	in. (mm)	7 ⁷ / ₈ (200)	9 ⁷ / ₈ (250)	11 ¹³ / ₁₆ (300)	11 ¹³ / ₁₆ (300)
r	in. (mm)	30 ¹¹ / ₁₆ (780)	30 ¹¹ / ₁₆ (780)	49 ⁵ / ₈ (1260)	49 ⁵ / ₈ (1260)

Metal Mesh Filter

The metal mesh filter removes dust and fine dust from the flue gas. It is characterized by a particularly high degree of separation. This ensures a fine dust content of less than 20 mg/Nm³ in the clean gas. The flue gas cyclone is not required when using the metal mesh filter.

The metal mesh filter compresses two block shaped units joined together. The compact design enables it to also be used in low level boiler rooms. The filter cartridges are robust and resistant to a shower of sparks.

Function:

The filter is operated under negative pressure. With the cylindrical filter cartridges, the flow is from outside in. The filter cartridges are protected against condensation by means of a heating system and are therefore protected against corrosion.

In the case of boiler demand, the filter cartridges are preheated. If the set filter temperature is reached, boiler start-up operation is enabled. If the temperature falls below the filter temperature set point, the filter heating system starts in heating mode.

The filters are cleaned automatically in the counter current. This means that the dust layer on the mesh is regularly discarded into the ash box.

Filter operation is controlled via the boiler control unit. Operation is carried out via the control unit programming module.

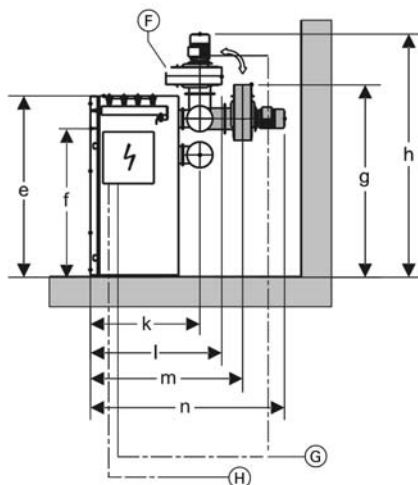
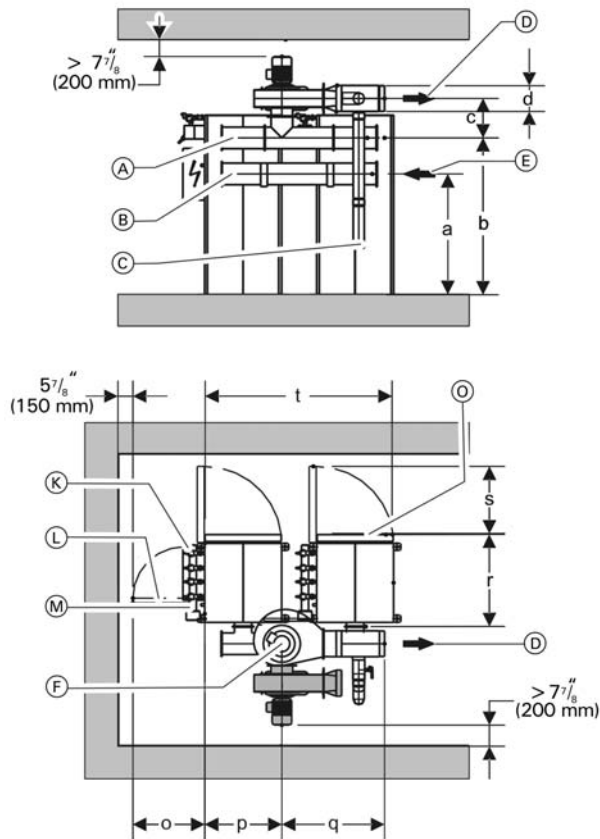
Supplied with:

- Two-part, insulated filter casing with:
 - Hinged doors, lockable by means of a quick-action fastener and lock
 - Maintenance cover for clean gas space
 - Filter cartridges
 - Ash box
- Electric heater
- Pneumatic cleaning
- Flue gas exhaust blower for boiler and filter
- Control panel fully wired.

On-site tasks:

Provision of a compressor or a connection to a compressed air line system [adjustable pressure level 4-6 bar (60-90 psi)] and a power supply of 208/3/60.

Metal Mesh Filter (continued)



Legend

- Ⓐ Clean gas collector
- Ⓑ Crude gas distributor (connection possible on both sides)
- Ⓒ Recirculation gas connection
- Ⓓ Clean gas to chimney
- Ⓔ Crude gas from boiler (connection possible on both sides)
- Ⓕ Flue gas exhaust blower (with variable rotation)
(alternate mounting of flue gas blower shown in dark grey)
- Ⓖ Control panel Ecotronic
- Ⓗ Power supply 208/3/60
- Ⓚ Pneumatic cleaning system
- Ⓛ Control panel door
- Ⓜ Compressed air connection
- Ⓞ Filter door

Dimensions

Boiler Model		RF 220	RF 300	RF 400
a	in. (mm)	55 ⁵ / ₈ (1413)	55 ⁵ / ₈ (1413)	55 ⁵ / ₈ (1413)
b	in. (mm)	72 ³ / ₁₆ (1833)	72 ³ / ₁₆ (1833)	72 ³ / ₁₆ (1833)
c	in. (mm)	18 ¹ / ₈ (460)	18 ¹ / ₈ (460)	18 ¹ / ₈ (460)
d	in. (mm)	11 ¹³ / ₁₆ (300)	11 ¹³ / ₁₆ (300)	13 ³ / ₄ (350)
e	in. (mm)	82 ⁹ / ₁₆ (2096)	82 ⁹ / ₁₆ (2096)	82 ⁹ / ₁₆ (2096)
f	in. (mm)	67 ³ / ₄ (1720)	67 ³ / ₄ (1720)	67 ³ / ₄ (1720)
g	in. (mm)	87 ¹³ / ₁₆ (2230)	87 ¹³ / ₁₆ (2230)	87 ¹³ / ₁₆ (2230)
h	in. (mm)	111 (2820)	111 (2820)	111 ¹ / ₄ (2827)
k	in. (mm)	50 (1270)	50 (1270)	55 ¹ / ₈ (1400)
l	in. (mm)	65 ³ / ₄ (1670)	65 ³ / ₄ (1670)	67 ⁵ / ₈ (1717)
m	in. (mm)	68 ¹ / ₈ (1730)	68 ¹ / ₈ (1730)	69 ¹¹ / ₁₆ (1770)
n	in. (mm)	88 ³ / ₄ (2255)	88 ³ / ₄ (2255)	94 ¹ / ₂ (2400)
o	in. (mm)	33 ¹ / ₁₆ (840)	33 ¹ / ₁₆ (840)	33 ¹ / ₁₆ (840)
p	in. (mm)	35 ⁷ / ₁₆ (900)	35 ⁷ / ₁₆ (900)	35 ⁷ / ₁₆ (900)
q	in. (mm)	46 ¹⁵ / ₁₆ (1192)	46 ¹⁵ / ₁₆ (1192)	47 (1040)
r	in. (mm)	42 ¹⁵ / ₁₆ (1069)	42 ¹⁵ / ₁₆ (1069)	42 ¹⁵ / ₁₆ (1069)
s	in. (mm)	31 ¹ / ₂ (800)	31 ¹ / ₂ (800)	31 ¹ / ₂ (800)
t	in. (mm)	86 ⁵ / ₈ (2200)	86 ⁵ / ₈ (2200)	86 ⁵ / ₈ (2200)

Weight

Transport weight	lb. (kg)	1036 + 1036 (470 + 470)	1081 + 1081 (490 + 490)	1081 + 1081 (470 + 470)
Total weight	lb. (kg)	2073 (940)	2117 (960)	2161 (980)

Safety Devices

Boiler system with return valve

To reliably prevent boiler corrosion through condensation of the flue gases, the boiler return temperature must never be below 149°F (65°C).

The step less control of the Vitoflex 300-RF rotating combustion chamber requires a constant flow through the boiler of the water to be heated. The boiler circuit, the boiler pump and boiler 3-way mixing valve must therefore be installed according to section piping and installation of safety devices.

The boiler circuit should be designed that the temperature difference between the boiler supply and the boiler return temperature is equal to or less than 27°F (15°C).

The activation of the boiler pump and boiler 3-way mixing valve is integrated in the custom control panel.

The safety equipment for the heating installation must be installed by the heating contractor authorized to do so.

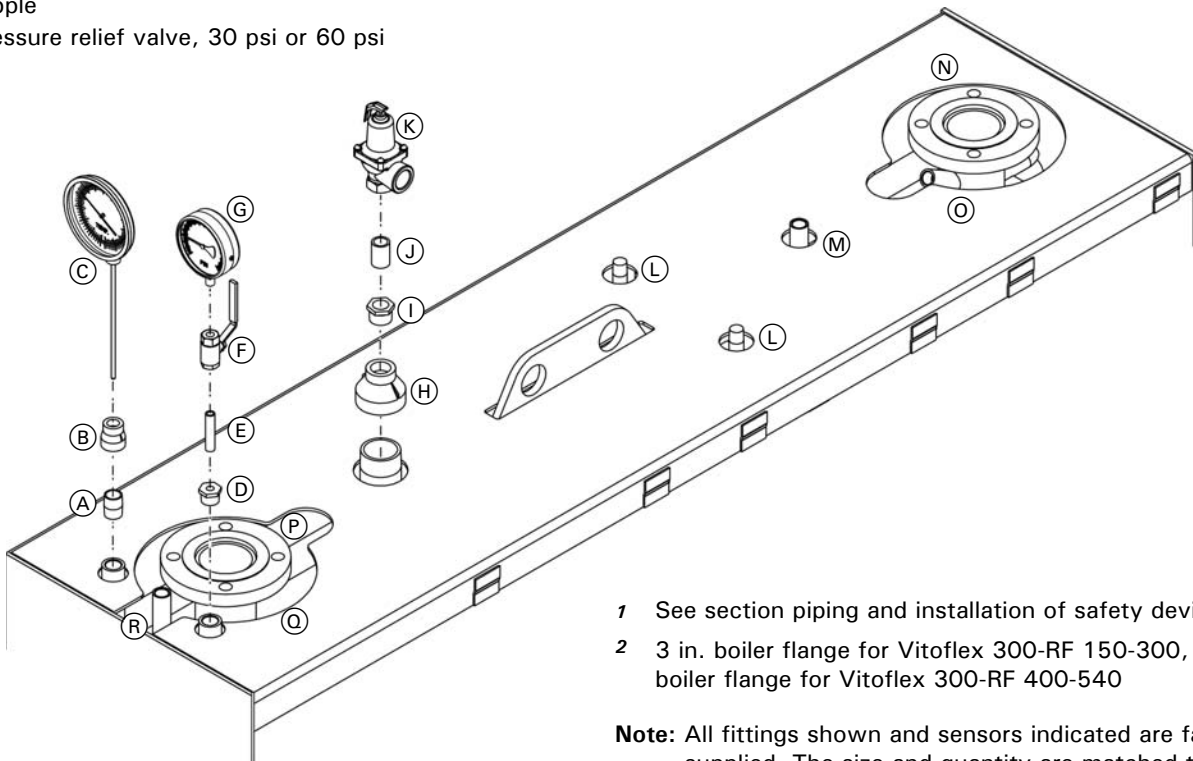
Fire extinguishing water tank

The self-activating extinguishing device must be installed next to the boiler feed system. Refer to section fire extinguishing systems for the assembly.

The fire suppression is performed by means of an extinguishing valve, which is not dependent on an electric current. A float-type switch monitors the water level and should be electrically connected (see field wiring diagram).

Legend

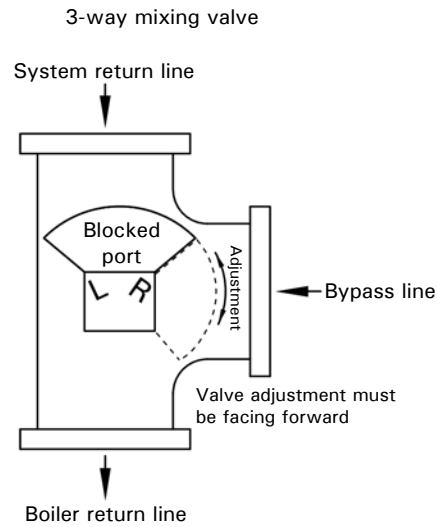
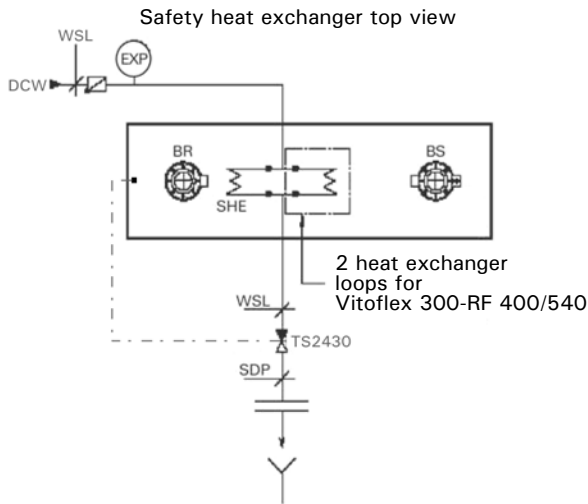
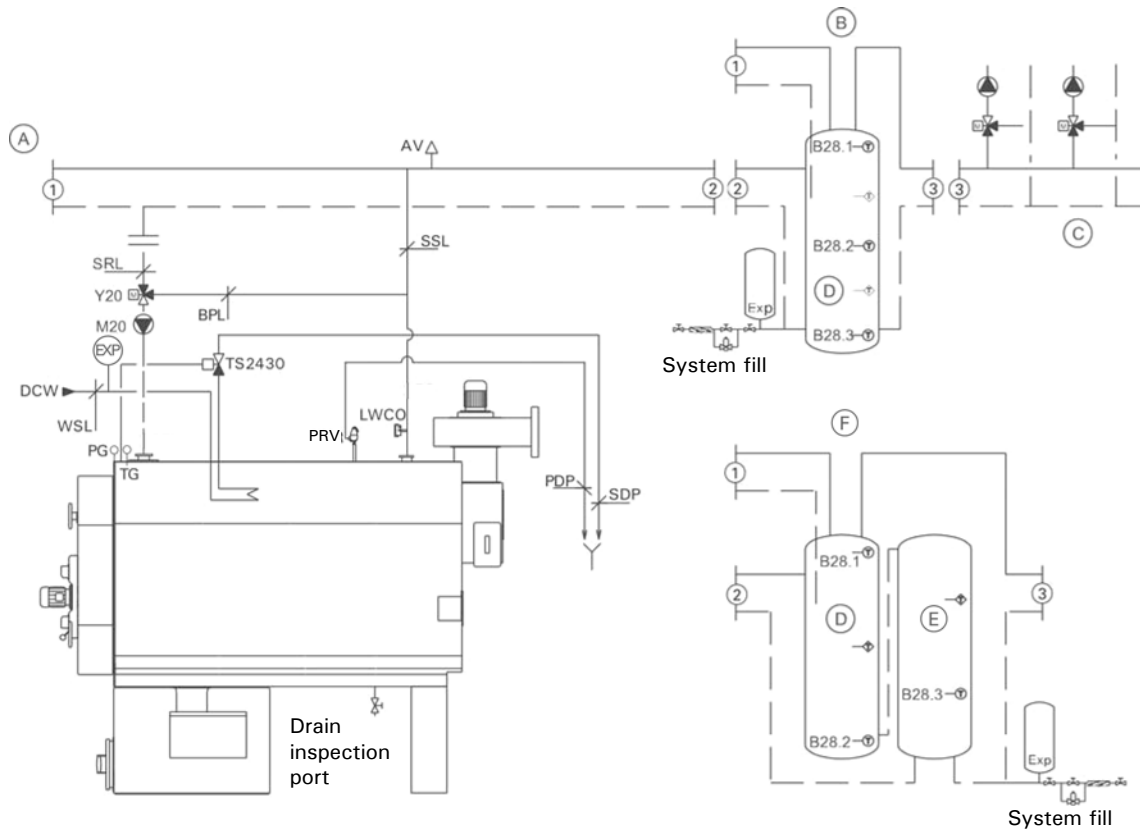
- (A) Nipple, 3/4 in. x 1 1/2 in.
- (B) Reducing coupling, 3/4 in. x 1/2 in.
- (C) Boiler water temperature gauge
- (D) Bushing 3/4 in. x 1/4 in.
- (E) Nipple 1/4 in. x 2 1/2 in.
- (F) Ball valve 1/4 in.
- (G) Pressure gauge
- (H) Reducing coupling
- (I) Reducing bushing
- (J) Nipple
- (K) Pressure relief valve, 30 psi or 60 psi
- (L) Safety heat exchanger connections, NPTM 1/2 in. ¹
- (M) Sensor well - fixed high limit
- (N) 3 in. or 4 in. Boiler supply flange ²
- (O) Supply sensor well (sensor supplied)
- (P) Return sensor well (sensor supplied)
- (Q) 3 in. or 4 in. Boiler return flange ²
- (R) Sensor well for thermal safety flush valve (R1/2 in.) (sensor supplied)



- ¹ See section piping and installation of safety devices
- ² 3 in. boiler flange for Vitoflex 300-RF 150-300, 4 in. boiler flange for Vitoflex 300-RF 400-540

Note: All fittings shown and sensors indicated are factory supplied. The size and quantity are matched to the specific boiler model.

Piping and Installation of Safety Devices



Legend

- (A) Additional heat source
- (B) Thermal storage tank as low loss header (option A) (3 sensors, optionally 5 sensors)
- (C) Distributor, heat consumer
- (D) Thermal storage tank #1
- (E) Thermal storage tank #2
- (F) Two thermal storage tanks as low loss header (option B) (3 sensors, optionally 5 sensors)
- (G) Additional heat source controlled with a directional control valve for oil/gas boiler

①, ② and ③ indicates system connections

Piping and Installation of Safety Devices *(continued)*

Note: To reliably prevent boiler corrosion caused by condensation of flue gases, the boiler return temperature must not under any circumstances be below 150°F (65°C).
 A Viessmann sized boiler pump with a boiler 3-way mixing valve are provided according to the tables below. The boiler circuit should be designed that the temperature difference between the supply and the return temperature is equal to or less than Δt 27°F (15°C).
 The expansion tank has to be connected to the boiler without any shut-offs.

Safety equipment included in the scope of supply provided by Viessmann:

- **M 20** Boiler pump
- **Y 20** Boiler 3-way mixing valve
- **PRV** Pressure relief valve, pressure set to 30 or 60 psi
- **TS2430** Thermal safety flush valve R ¾ in., approved component; special-purpose, designed for opening at a temperature of 122°-248°F (50°-120°C), (safety heat exchanger loop built into the boiler).
 The Vitoflex 300-RF 150 to Vitoflex 300-RF 300 have one safety heat exchanger loop and require one thermal safety flush valve. The Vitoflex 300-RF 400 and Vitoflex 300-RF 540, have two safety heat exchanger loops and require one thermal safety flush valve.
- **LWCO** Low water cut-off
- **PG** Pressure gauge
- **TG** Temperature gauge (thermometer)
- **SHE** Safety heat exchanger, water volume 1.1 USG (4.2L) per loop, NPTM ½ in.

Equipment to be supplied by the installing heating contractor:

- PDP Pressure relief valve drain pipe
- DCW Cold water inlet, min. 36 psi (2.5 bar), max. 51 psi (3.5 bar)
- AV Air separator / vent
- ExP Expansion tank closed;
 - for safety heat exchanger required (size according to volume of safety heat exchanger loops and volume of piping)
 - for heating system (optional)
- WSL Water supply line for safety heat exchanger
- SDP Safety heat exchanger drain pipe
- SRL System return line to the boiler from the system
- SSL System supply line from the boiler to the system
- BPL Bypass line
- BR Boiler return
- BS Boiler supply

Design recommendation:

Thermal safety flush valve

Boiler Model	Thermal safety flush valve TS-2430 (Quantity)	Water through-put required at 36 psi (2.5 bar)		Supply line WSL	Drain pipe SDP ²
		L/h	GPM		
RF 150	1	915	4	R ¾ in.	R 1 in.
RF 220	1	1230	5.4	R ¾ in.	R 1 in.
RF 300	1	1500	6.6	R ¾ in.	R 1 in.
RF 400	1	1880	8.3	R ¾ in.	R 1 in.
RF 540	1	2226	10	R ¾ in.	R 1 in.

Pressure relief valve

Boiler Model	Pressure relief valve Conbraco ¹ 30 psi	Pressure relief valve Conbraco ¹ 60 psi	Pressure relief valve drain pipe PDP ² 30 psi	Pressure relief valve drain pipe PDP ² 60 psi
RF 150	1 in.	¾ in.	1¼ in.	1 in.
RF 220	1 in.	¾ in.	1¼ in.	1 in.
RF 300	1¼ in.	1 in.	1½ in.	1¼ in.
RF 400	1¼ in.	1 in.	1½ in.	1¼ in.
RF 540	1½ in.	1¼ in.	2 in.	1½ in.

¹ Threaded connection for supply line

² Length of the drain pipe up to 13 ft. (4.0 m)

Piping and Installation of Safety Devices *(continued)*

Design recommendation (continued):

Boiler pump

Boiler model	Pump	Freq.	Phase and voltage	Speed
RF 150	UPS 32-80 F	60 Hz	3 x 208-230V	3
RF 220	UPS 40-80/4 F	60 Hz	3 x 208-230V	1
RF 300	UPS 50-80/4 F	60 Hz	3 x 208-230V	2
RF 400	UPS 80-80/4 F	60 Hz	3 x 208-230V	2
RF 540	UPS 80-80/4 F	60 Hz	3 x 208-230V	3

3-way mixing valve

Boiler model	Nominal pipe size	Valve
RF 150	2½ in.	3-way mixing valve
RF 220	2½ in.	3-way mixing valve
RF 300	3 in.	3-way mixing valve
RF 400	3 in.	3-way mixing valve
RF 540	4 in.	3-way mixing valve

Viessmann ASME recommended tank sizes (U-stamped)

Boiler model	Tank size	
	L	USG
RF 150	1514	400
RF 220	2006	530
RF 300	2650	700
RF 400	3785	1000
RF 540	5678	1500

Fire Protection

Follow local regulations for wood-fired heating systems.

Power failure provision

The customer must ensure that there is a supply of water independent of the electrical supply. This design ensures that in case of a power failure, the boiler will be reliably cooled by the thermal safety flush valve.

Protection against back-burn for the boiler plant

The following safeguards are part of the scope of supply for the Vitoflex 300-RF Rotating Combustion System:

- **Preventing overfilling of the combustion chamber**
A level monitor must be installed to prevent overfilling of the combustion chamber. The Vitoflex 300-RF Rotating Combustion System has a light barrier to monitor the embers.
- **Preventing back-burn**
With a temperature sensor directly on the in-feed auger, any danger of back-burn initiation will be detected and quickly counteracted at an early stage by increasing the fuel conveyance speed into the combustion chamber.
- **Back flash safeguard**
The Vitoflex 300-RF Rotating Combustion System is operated with continuous negative pressure and is equipped with a back flash prevention device. This device prevents back flashes caused by flying embers or combustible gases that may ignite the fuel system.

- Automatic In-feed auger extinguishing system

The supplied fire extinguishing system is necessary on the in-feed auger. This system should reliably prevent back-burn in case of a malfunction (such as a power failure). For safety reasons and to prevent damage by flooding, connecting the extinguishing system directly to the water network is not advisable.

This extinguishing system must be equipped with a 6.6 USG (25 L) extinguishing water tank with a float-type switch and an adjustable Danfoss extinguisher valve. The tank for the extinguishing system must be equipped with a level monitoring system.

If there is a shortage of water, the Vitoflex 300-RF Rotating Combustion System will switch off automatically.

In case of excess temperature, the in-feed auger will be flooded reliably but in a limited fashion.

IMPORTANT

The heating contractor must perform the installation of the fire extinguishing system as specified in section fire extinguishing systems.

Fire Protection *(continued)*

Back-burn safeguard for the fuel supply system

The fire extinguishing system for the conveyor auger and the down pipe depends on specific requirements (location, size of the fuel storage site, material, pressure conditions and regulations), these being accessories to the scope of delivery ordered from Viessmann according to their descriptions.

Automatic triggering system for the fuel supply system

Approved in part as a variation to the shut-off valve in pressure-less fuel storage units.

Slide valve

The slide valve is approved in pressure-less fuel storage units and is a suitable safeguard against back-burn.

The slide valve is optional and closes in case of standstill, danger of back-burn, or power failure, with the help of a spring return motor.

IMPORTANT

We recommend installing a rotary valve for the Vitoflex 300-RF Rotating Combustion System. In addition to being a safeguard against back-burn, this will also prevent any penetration by air leaking in via the in-feed auger.

Rotary valve

The Rotary valve is optional and used if remnant wood is moved into fuel storage spaces with blowers, then, in order to reduce pressure applied, at least one rotary valve is necessary to reduce pressure between the fuel storage unit and the boiler. The rotary valve is suited to reduce pressure and at the same time is considered a suitable safeguard against back-burn.

Max. overpressure allowed in fuel storage unit:
+ 500 Pa (+ 2.00 in. wc).

Max. negative pressure allowed in fuel storage unit:
+ 0 Pa (+ 0 in. wc).

Double rotary valve with pressure compensation system

If, due to special circumstances, any mechanically produced negative pressures or extraordinarily high overpressures are expected in the fuel storage unit, then two rotary valves must be installed in the material transport route according to the respective project plan with a pressure compensation line to the outdoors.

Max. overpressure allowed in fuel storage unit:
+ 3000 Pa (+ 12 in. wc).

Max. negative pressure allowed in fuel storage unit:
-3000 Pa (-12 in. wc).

IMPORTANT

The supplier of the silo must confirm the maximum weight that is to be expected on the rotary valve.

The rotary valve below the silo extraction system can become leaky due to wear of the sealing elements or through large pieces of wood that cannot be conveyed. This leakage can make it possible for low-temperature gases to flow back from the boiler into the silo.

A smoke alarm must be installed between the rotary valve and the silo extraction system, which, when triggered, will disconnect the system and create negative pressure in the silo.

Down pipe

A vertical drop-off section interrupts the connected line of burning material.

Fire protection for fuel storage space

Viessmann does not provide fire protection for the fuel storage space.

IMPORTANT

The local building codes and regulations must be followed by the heating contractor.

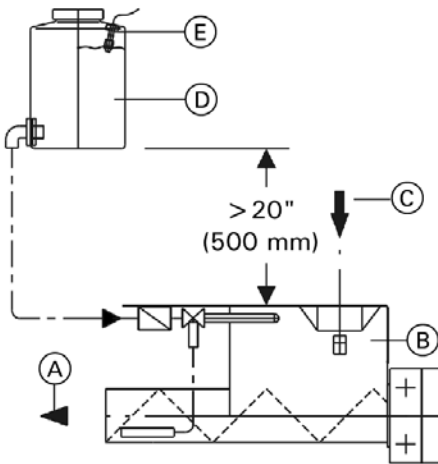
Fire Extinguishing System

The fire extinguishing system functions independent from the electrical power and is flooding the material which is still remaining in the in-feed auger in case of a back-burn. The activation temperature is approx. 200°F (95°C).

Fire extinguishing system for the in-feed auger

Note: The fire extinguishing system for the in-feed auger is part of the boiler.

- Line from the extinguishing water container to the ½ in. valve (as short as possible).
- Valve thermostatic, Danfoss AVTA 15 122°F - 194°F (50°C - 90°C) position 3 equals approximately 176°F (80°C).
- The lines must be executed as hard piping in metal (½ in.).
- It must not be possible to shut off the cold water inlet without the aid of tools.
- Be especially sure to comply with the instruction in the Fire Protection section.

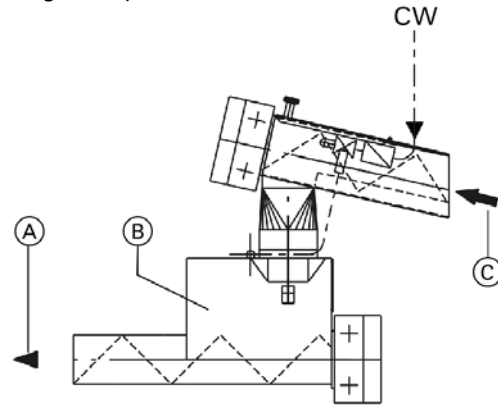


Legend

- (A) Combustion
 - (B) Metering Container
 - (C) Fuel supply
 - (D) Extinguishing water container 6.6 USG (25 L)
 - (E) N1 Floater switch
- CW Cold water supply ½ in. min. 30 psi (2.0 bar), max. 45 psi (3.0 bar)

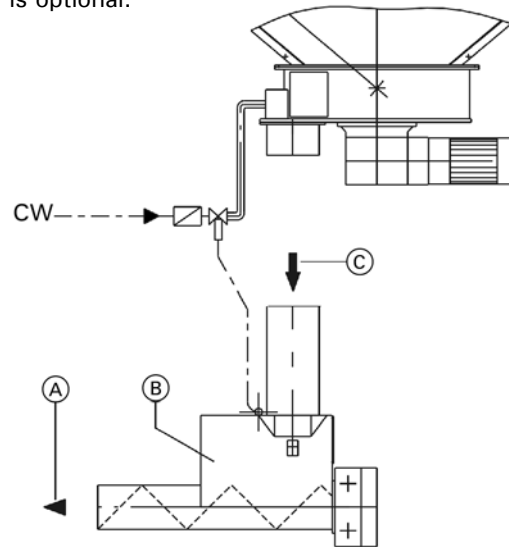
Fire extinguishing system for the conveyor auger

Note: The fire extinguishing system for the conveyor auger is optional.



Fire Extinguishing System for the Down Pipe

Note: The fire extinguishing system for the down pipe is optional.



Note: A slide valve is required as standard for an unpressurized material store or a rotary valve for a material storage with over pressure or under pressure (charging with blower, e.g. wood processing operations).

- The lines must be executed as hard piping in metal (½ in.).
- It must not be possible to shut off the cold water inlet without the aid of tools.
- Be especially sure to comply with the instruction in the Fire Protection section.

Vitocontrol

Mounting of the control panel

The control panel should be in an area where the heat radiation (front side of boiler, rear side of boiler with flue gas deduster and flue gas exhaust blower as well as recirculation line) and the exposure to dust during cleaning is at a minimum.

The ambient temperature for the control panel (approx. 4 in. (100 mm) away from the control cabinet) should not exceed 104°F (40°C) while the system is in operation. The minimum temperature must not be less than 50°F (10°C). In case of doubt, preference should be given to placing the control panel outside the mechanical room near the heating room door.

Electrical connection

- Install the control panel according to the field wiring diagram. The field wiring diagram is supplied with the control panel.
- In the area of hot parts (flue gas exhaust blower, flue gas pipe), the lines should be installed in steel pipes at an appropriate distance so as to be protected from excessive temperatures. See section "Boiler Wiring".
- The cable bushings to the motors and equipment must be dust-tight and provided with a strain relief.

A microprocessor control system for the complete Vitoflex 300-RF Boiler Plant, including control of the fuel loading systems required for the separately listed items. The heat output of the boiler adjusts to the heat consumption in modulating fashion. A regulating circuit for the combustion optimizing system is superimposed on the output control circuit with an oxygen sensor. Maximum quality criteria are met in terms of fire protection and personal protection.

Functions:

- Automatic ignition
- Output and control circuits with modulating output operation (25%-100%)
- Air-conducted by means of a speed-regulated exhaust fan, depending on the boiler supply temperature
- Precise re supplying of fuel by the in-feed auger from the metering container with an insulating layer
- Refilling of the metering container with the use of a level monitoring system
- Limitation and distribution of the mass burning in the combustion chamber by means of a level monitoring system in the combustion chamber along with movement of the feed grate
- Emissions-optimized control circuit: Optimized air supply through motor-operated air vents for the best possible combustion using an oxygen sensor. Upholding the return temperature with the boiler mixing valve provides for a long service life of the boiler.
- Safety functions for: Excess temperature, burn-back, opening of a lid in the loading system and forced heat dissipation
- Floating output (malfunction combustion system)

Operation:

Operation is carried out by means of a control panel with a membrane keyboard and plain language display. All the operational data can be read on the display. The set points for all the important parameters can be entered simply using the keyboard. Malfunctions are displayed in plain language and indicated in the order of their occurrence.

Supplied with:

- A microprocessor control system (control panel with back-lit plain language display), CSA-tested, battery-backed real-time clock, RS 232 serial interface for connection to PC.
- Control cabinet (uninstalled), surface powder-coated with RAL 7035 (gray) textured, executed according to CSA C.22, ready-wired on series terminals, Power supply: 208V/3/60Hz; control voltage: 120/240V/1/60 Hz or 24V
- Adapted, updateable software
- Soft starter for all the drives for the loader system (208V/3/60 Hz) according to the items priced separately
- Overload protection for boiler pump
- Outputs for stepping motors
- Variable frequency drive (EMC-Operation Class 3) for exhaust fan
- Main disconnect
- Documentation, including bound circuit diagram, terminal connection diagram with cable designation, service and maintenance instructions, installation and operating instructions in document pocket
- Sensors and switches for the in-feed auger
- Infrared light barrier level monitoring system, insulating layer for in-feed auger
- Safety limit switch on the maintenance lid for the in-feed auger
- PT-100 temperature sensor for the in-feed auger
- Sensors and switches on the combustion chamber for firing and in the exhaust gas nozzle (installation on site)
- Infrared light barriers for level monitoring of fuel in the combustion chamber
- Oxygen sensor with instrument reading converter
- PT-100 exhaust gas sensor
- Sensors and switches mounted on top of the boiler
- KTY boiler sensor in the connecting piece, supply
- KTY boiler return sensor in the connecting piece, return
- Fixed high limit
- Sensor, uninstalled
- One KTY sensor with sensor shell, 1/2 " x 280 mm

Vitocontrol Accessories

Triggering System for external drive

Function:

Starttec, motor soft start for optimized connection of an external conveyor drive or rotary valve without reversal. A CAN bus is used to directly connect the motors to the gentle start-up system via the Ecotronic. Temperature-monitored and protected against overloading. Its electronic circuit breakers are wear-free, even at high switching frequencies.

Supplied with:

- Starttec completely integrated in the control cabinet
- Parameter assignment for the drive function
- Input in the control cabinet for safety end switch on the maintenance cover
- Output in the control cabinet for external conveyor drive

Customer supplied:

- Delivery and/or installation of safety end switch for the external conveyor drive

Note: Only for Vitoflex 300-RF. Starttec is built into the control cabinet for the boiler plant.
Only possible with defined, limited material feed facility (upstream conveyor auger)

Triggering System for external drive with light barrier

Function:

Starttec motor starter for optimized connection of an external conveyor drive without reversal. A CAN bus is used to directly connect the motors to the gentle start-up system via the Ecotronic. Temperature-monitored and protected against overloading. Its electronic circuit breakers are wear-free, even at high switching frequencies. Additional protection of the external drive through level-monitoring system of the further feed system by means of a light barrier. The light barrier connects directly to the Starttec for the continuing feed system, affecting the extraction system.

Supplied with:

- Starttec completely integrated in control cabinet
- Parameter assignment for the drive function
- Input in the control cabinet for safety end switch on the maintenance cover
- Output in the control cabinet for external conveyor drive
- Infrared light barrier, level-monitoring system for fuel

Customer supplied:

- Delivery and/or installation of safety end switch for the external conveyor drive

Note: Only for Vitoflex 300-RF. Starttec is built into the control cabinet for the boiler plant.

Note: The control system components below are reserved for the Vitoflex 300-RF Single-unit System.
With the Vitoflex 300-RF Double-unit System, these functions are included in the Mastercontrol.

Thermal Storage Tank Management System 3 Sensors

Function:

Using a heat accumulator improves the modulating output operation of the Vitoflex 300-RF grate firing system. In addition, sudden heat requirement peaks are covered. The accumulator's load of heat is detected by the temperature sensors. The firing power is adapted to the accumulator's degree of loading.

Supplied with:

- Two additional KTY sensors with sensor well, 1/2" x 280 mm

External Request ON/OFF

Input for switching the system on and off automatically by an external potential-free N.O. contact.

Operational Message

Function:

System status "Operating Load" indication; from operation of the boiler pump to higher-level control.

Supplied with:

- Floating output (operational message)

Output signals 0 - 10V

Function:

The system includes output of the boiler in the form of a voltage signal and preparation for connection to receive a maximum limitation of the boiler output.

Supplied with:

- Output of the boiler, 0 - 10V
- Reception and processing of an external output limitation

0.1 - 3V..... Standby
3.1 - 10V... 30% to 100% output operation

Note: Installation of "Output signals 0 - 10 V" is possible according to "QM for Wood Heating Systems" irrespective of any additional control system components to be used.

Vitocontrol Accessories *(continued)*

Note: The control system components below are reserved for the Vitoflex 300-RF Single-unit System. With the Vitoflex 300-RF Double-unit System, these functions are included in the Vitoflex 300-RF Mastercontrol.

Export System for Operational Data

Function:

Output of all relevant operational data and error reports for the Vitoflex 300-RF Boiler Plant via MOD-BUS in the form of an ASCII-data record via serial interface to higher-level control equipment of the customer's. All the adjustable parameters can be changed via the higher-level control equipment as long as the control equipment provides for this.

Supplied with:

- Interface on the control panel
- Software component
- MOD-BUS protocol (baud rate 9600)

Visualization by web server

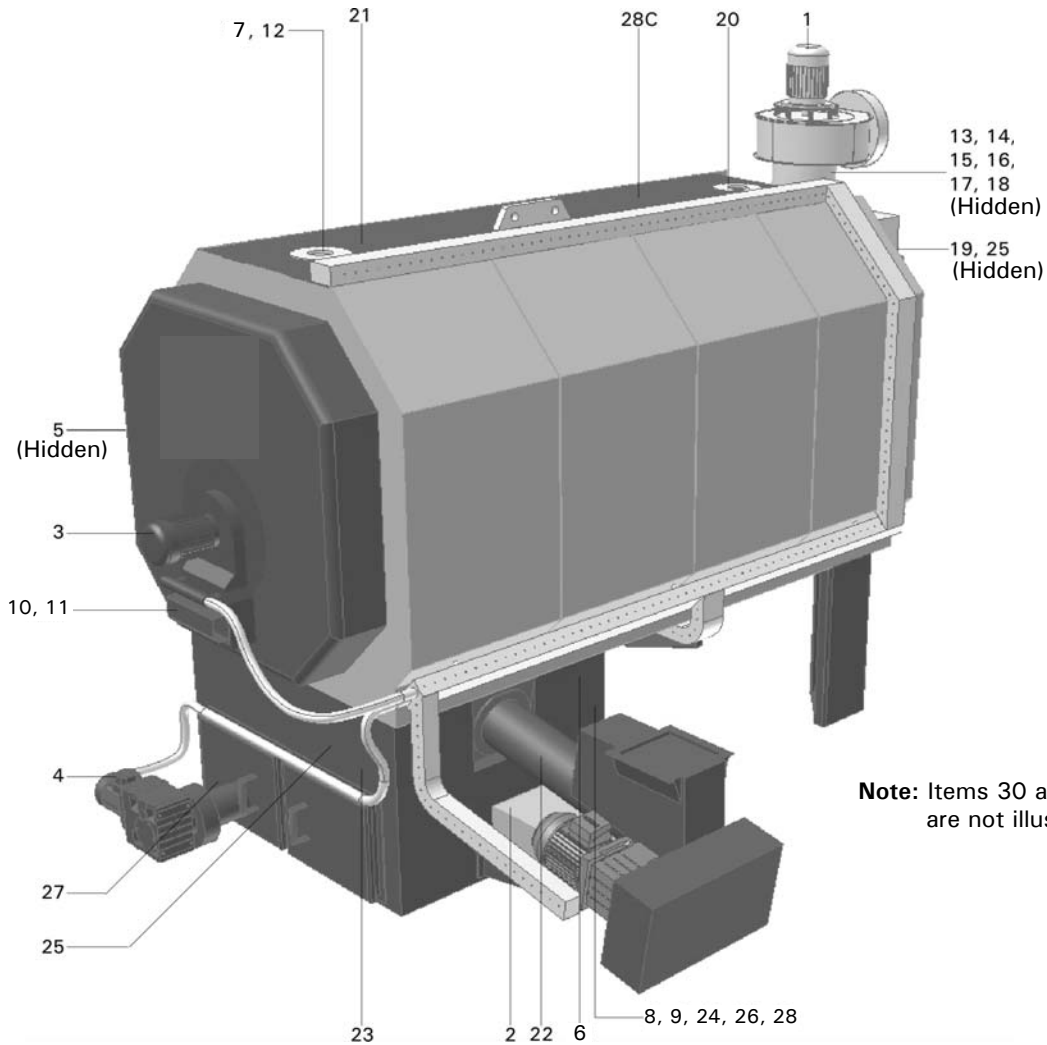
Function:

A complete package for transmitting all data to a remote computer for visualization, remote maintenance and archiving of operational data for the Vitoflex 300-RF Boiler Plant. The hardware and software are integrated in the Vitocontrol control system. All the adjustable parameters can be changed from the remote computer.

Customer supplied:

- IP address configuration

Electrical Components



Note: Items 30 and 32 are not illustrated.

Electrical Components *(continued)***Component overview**

M High voltage

Y Low voltage

B Sensors

S Switches

N Sensors

High voltage

Number	Designation	Device tag	Description
1	M1	-14M1	Flue gas exhaust blower
2	M2	-27M2	Grate drive
3	M3	-28M3	Rotary blower
4	M4	-8M4	De-ashing auger
5	M5	-8M5	De-ashing ascending conveyor auger (not shown)
6	M16	-24M16	Igniter
7	M20	-9M20	Boiler pump

Low voltage

8	Y10	-21Y10	Primary air valve 1
9	Y11	-21Y11	Primary air valve 2
10	Y13	-20Y13	Secondary air valve 1
11	Y14	-20Y14	Secondary air valve 2
12	Y20	-26Y20	Mixing valve actuator
13	Y21	-29Y21	Solenoid valve 1
14	Y22	-29Y22	Solenoid valve 2
15	Y23	-29Y23	Solenoid valve 3
16	Y24	-29Y24	Solenoid valve 4
17	Y25	-29Y25	Solenoid valve 5
18	Y26	-29Y26	Solenoid valve 6

Temperature sensors

19	B1	-22B1	Flue gas temperature sensor
20	B20	-22B20	Boiler supply temperature sensor
21	B20.1	-22B20.1	Boiler return temperature sensor
22	B02	-22B02	In-feed auger temperature sensor

Light barriers

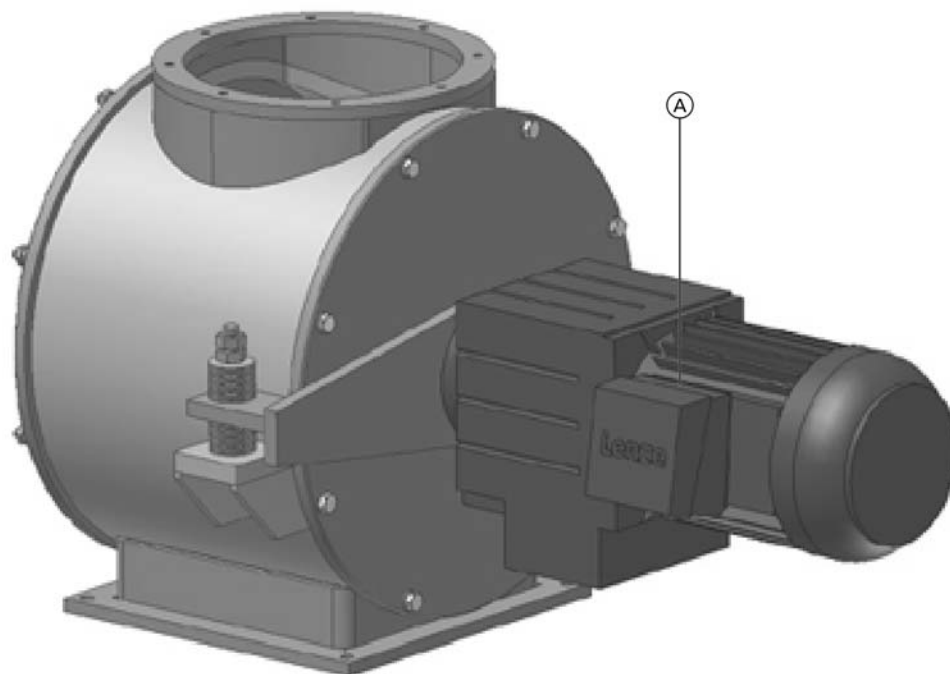
23	B1.1	-16B1.1	Light barrier embers 1 (Transmitter)
24	B1.2	-16B1.2	Light barrier embers 1 (Receiver)
25	B2.1	-17B2.1	Light barrier embers 2 (Transmitter)
26	B2.2	-17B2.2	Light barrier embers 2 (Receiver)
27	B4.1	-18B4.1	Light barrier de-ashing assembly (Transmitter)
28	B4.2	-18B4.2	Light barrier de-ashing assembly (Receiver)

Sensors

29	B26	-23B26	Oxygen sensor
30	N1	-19N1	Floater switch for fire extinguishing water container (not shown)
31	N21	-6N21	Fixed high limit
32	N22	-6N22	Low water cut-off (not shown)

Fuel Transport and Extraction Systems

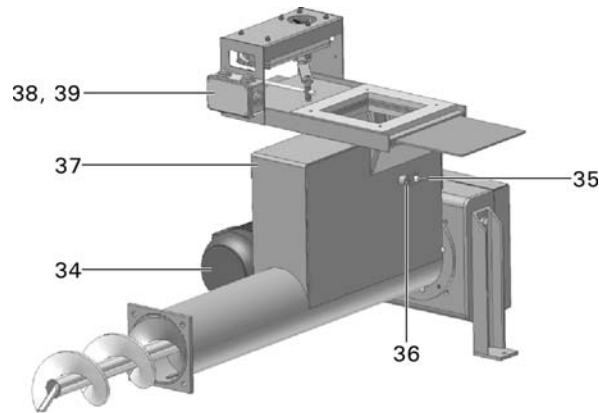
Rotary Valve



Number	Designation	Device tag	Description
Ⓐ	M9	-9 M9	Motor for rotary valve

Fuel Transport and Extraction Systems

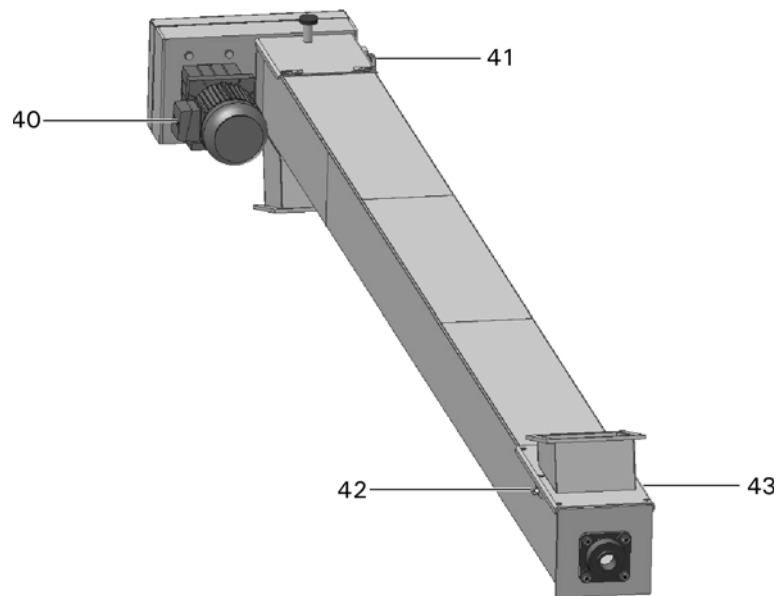
In-feed auger



Number	Designation	Device tag	Description
34	M31	-11M31	Motor for in-feed auger
35	S31.1	11S31.1	Limit switch for maintenance lid
36	B31.1	-11B31.1	Light barrier metering container (Transmitter)
37	B31.2	-11B31.2	Light barrier metering container (Receiver)
38	Y30.1	-23Y30.1	Slide valve T30
39	Y30.2	-23Y30.2	Slide valve T30

Note: For details on designation, see field wiring diagram.

Pipe/trough conveyor auger

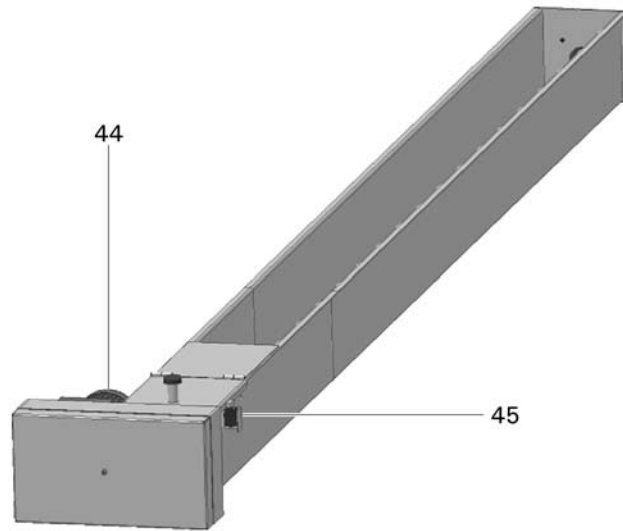


Number	Designation	Device tag	Description
40	M32	-12M32	Motor for pipe/trough conveyor auger
41	S32.1	-12S32.1	Limit switch for maintenance lid
42	B32.1	-12B32.1	Light barrier conveyor auger (Transmitter)
43	B32.2	-12B32.2	Light barrier conveyor auger (Receiver)

Note: For details on designation, see field wiring diagram.

Fuel Transport and Extraction Systems *(continued)*

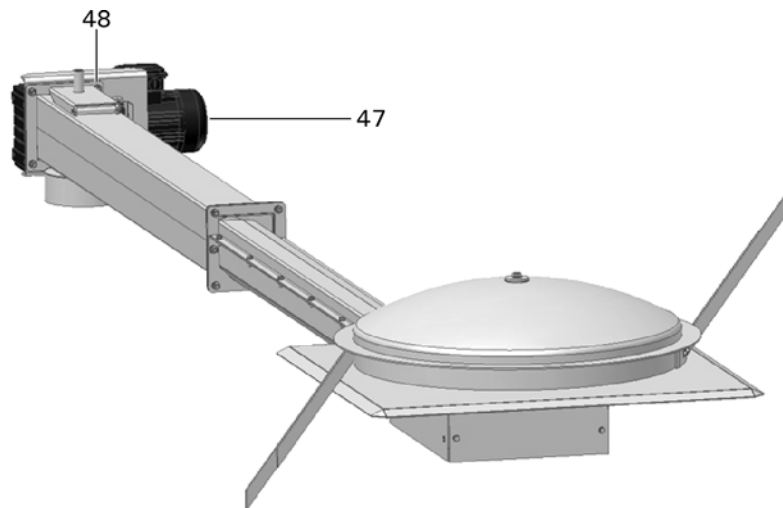
Pellet extraction auger



Number	Designation	Device tag	Description
44	M32	-12M32	Motor for pellet extraction auger
45	S32.1	-12S32.1	Limit switch for maintenance lid
46	S32.2	-12S32.2	Limit switch for silo door (not shown)

Note: For details on designation, see field wiring diagram.

Spring extraction system

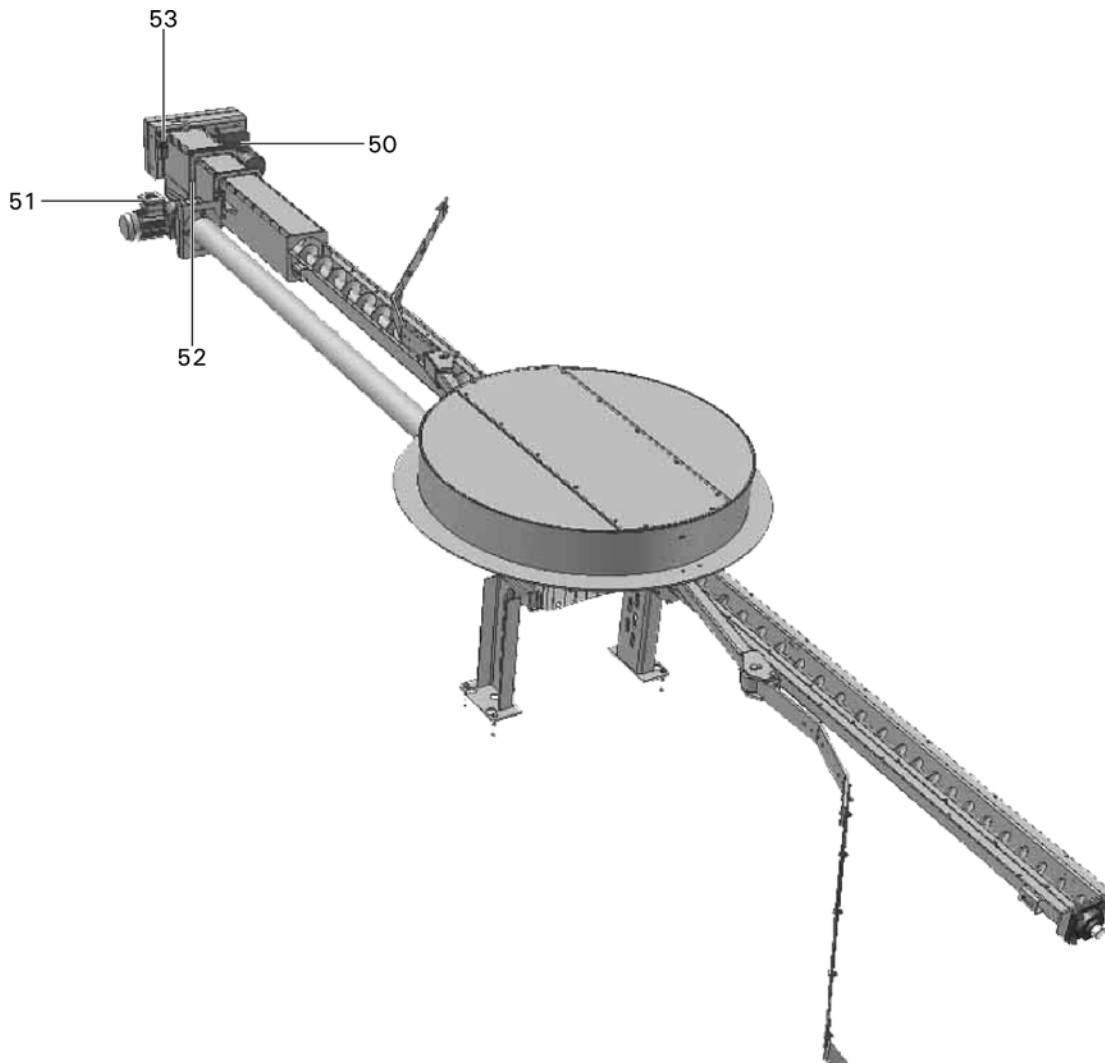


Number	Designation	Device tag	Description
47	M32	-12M32	Motor for spring extraction system
48	S32.1	-12S32.1	Limit switch for maintenance lid
49	S32.2	-12S32.2	Limit switch for silo door (not shown)

Note: For details on designation, see field wiring diagram.

Fuel Transport and Extraction Systems *(continued)*

Horizontal extraction system

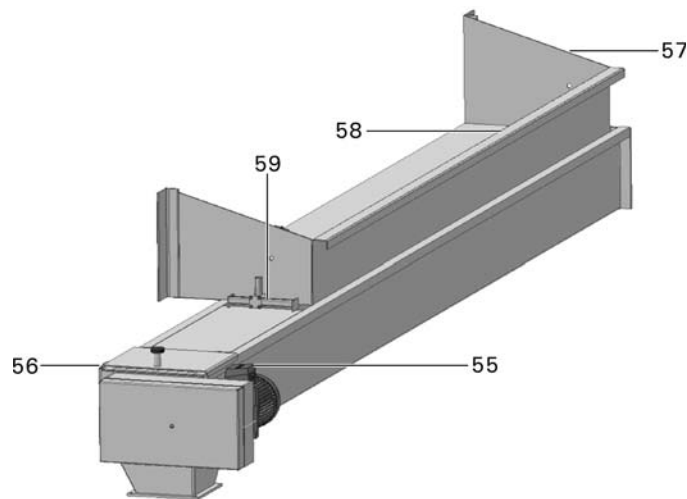


Number	Device tag	Device tag	Description
50	M32	-12M32	Motor for extraction auger
51	M33	-12M33	Motor for agitator
52	B32	-12B32	Light barrier for extraction auger
53	S32.1	-12S32.1	Safety switch for maintenance lid
54	S32.2	-12S32.2	Safety switch for silo door (not shown)

Note: For details on designation, see field wiring diagram.

Fuel Transport and Extraction Systems *(continued)*

Walking floor auger

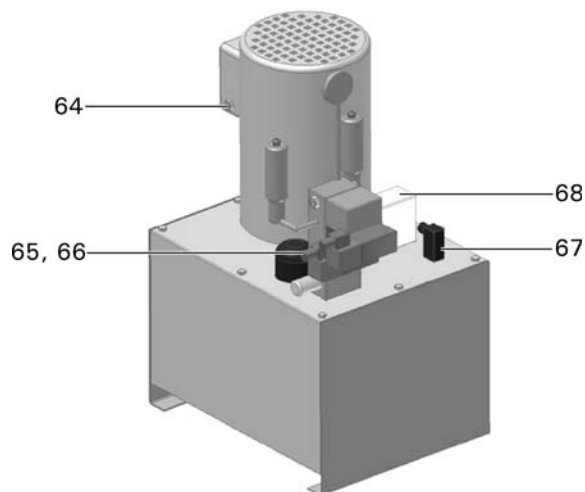


Number	Designation	Device tag	Description
55	M3	-6M3	Motor for walking floor auger
56	S3	-68S3	Safety switch for maintenance lid
57	S3.1	-68S3.1	Safety switch for auger cover
58	B3/1	-61B3/1	Light barrier walking floor auger (Transmitter)
59	B3/2	-61B3/2	Light barrier walking floor auger (Receiver)
60	B6.1/1	-61B6.1/1	Light barrier silo distribution top (Transmitter)
61	B6.1/2	-61B6.1/2	Light barrier silo distribution top (Receiver)
62	B6.2/1	-61B6.2/1	Light barrier silo distribution bottom (Transmitter)
63	B6.2/2	-61B6.2/2	Light barrier silo distribution bottom (Receiver)

Note: Items 60 to 63 only apply to the walking floor with filling function.

Note: For details on designation, see field wiring diagram.

Hydraulic unit



Number	Designation	Device tag	Description
64	M6	-7M6	Motor for hydraulic unit
65	Y6.1	-25Y6.1	Silo lid
66	Y6.9	-7Y6.9	Change silo distribution
67	N6.1	-7N6.1	Hydraulic temperature
68	N6.2	-7N6.2	Hydraulic level

Note: For details on designation, see field wiring diagram.

Thermal Storage Tank

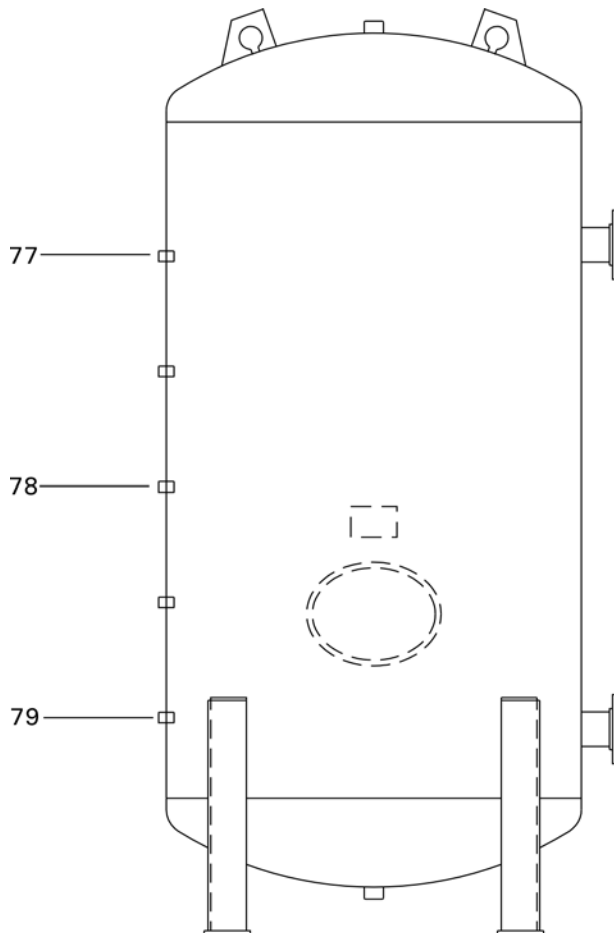
Silo Lid

Number	Designation	Device tag	Description
69	Y6.3	-22Y6.3	Solenoid valve silo lid open
70	Y6.4	-22Y6.4	Solenoid valve silo lid close
71	S6.1	-22S6.1	Key operated switch for silo lid
72	M901	-24M901	Vibration motor 1
73	M902	-24M902	Vibration motor 2
74	M903	-24M903	Vibration motor 3
75	S901	-24S901	Key operated switch for vibration motor
76	S5.1	-68S5.1	Safety switch for silo lid

Note: For details on designation see field wiring diagram

Note: The quantity of items 72 to 74 will depend on the size of the silo lid.

Thermal storage tank



Number	Designation	Device tag	Description
77	B28.1	-22B28.1	Thermal storage tank sensor (top)
78	B28.2	-22B28.2	Thermal storage tank sensor (middle)
79	B28.3	-22B28.3	Thermal storage tank sensor (bottom)

Note: For details on designation, see field wiring diagram.

Commissioning

Fuel for the commissioning

For the commissioning, sufficient dry fuel (max. W 20%) should be stored for approx. 10-24 full operating hours:

Vitoflex 300-RF 150	approx. 2640 lb. (1198 Kg)
Vitoflex 300-RF 220	approx. 3300 lb. (1358 Kg)
Vitoflex 300-RF 300	approx. 4400 lb. (1996 Kg)
Vitoflex 300-RF 400	approx. 5500 lb. (2495 Kg)
Vitoflex 300-RF 500	approx. 6600 lb. (2994 Kg)

Since the boiler plant will be cold, and residual moisture will be drawn from the refractory concrete during the initial operation, the material to be burned for the initial operation has to be at least air dry. For the first three hours, the heating-up process should be carried out at low output.

To ensure that the silo extraction system is functioning properly, only place a minimal amount of fuel in the silo in case there is a problem. This enables the extraction system to be cleaned out quickly and the problem to be identified and corrected.

Water quality

Treatment for boiler feed water should be considered in areas with known problems, such as where a high mineral content and hardness exist. In areas where freezing might occur, it recommended that an antifreeze be added to the system water for protection against freezing. Please adhere to the specifications given by the antifreeze manufacturer. Do not use automotive silicate-based antifreeze. Please observe that an antifreeze/water mixture may require a back flow preventer within the automatic water feed and influence components such as diaphragm expansion tanks, radiation, etc. A 40% antifreeze content will provide freeze-up protection to -10°F (-23°C). Do not exceed 50% antifreeze mix ratio and do not use antifreeze other than specifically made for hot water heating systems.

Total output (MBH)	Total Hardness (ppm as ca CO ₃)
> 1 Total ≤ 680	≤ 200
> 680 to ≤ 2050	≤ 150
> 2050	≤ 2

The pH value of the heating water should be between 8.2 and 9.5

Oxygen diffusion barrier under floor tubing

The boiler warranty does not cover pressure vessel failure resulting from corrosion caused by the use of underfloor plastic tubing without an oxygen diffusion barrier. Such systems without oxygen diffusion barrier must have the tubing separated from the boiler with a heat exchanger. Viessmann always recommends the use of underfloor plastic tubing with an oxygen diffusion barrier.



Technical information subject to change without notice.