

Installation Instructions

for use by heating contractor



Replacement of Flow Switch VK315M,

Part No. 7826 314

for Vitodens 100-W, WB1A boilers

Safety and Installation Requirements

Please ensure that these instructions are read and understood before installation. Failure to comply with the instructions listed below can cause product/property damage, severe personal injury, and/or loss of life.

Working on the equipment

The installation, adjustment, service and maintenance of this product must be done by a **licensed professional heating contractor** who is qualified and experienced in the installation, service, and maintenance of hot water boilers. There are no user serviceable parts on the boiler, burner or control.

Ensure **main power** supply to equipment, the heating system, and all external controls has been **deactivated**.

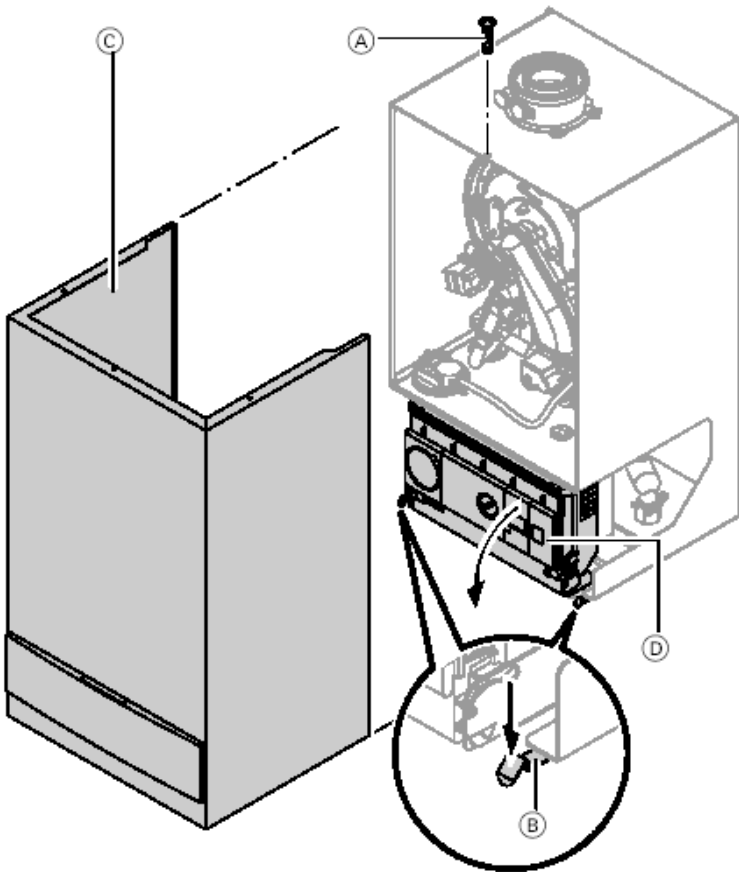
Close main fuel supply valve. Take precautions in both instances to avoid accidental activation of power during service work.

It is not permissible to perform service work on any component part without ensuring safe operation of the heating system. When replacing parts, use original Viessmann or Viessmann approved replacement parts.



Ensure that the installation literature of applicable boiler is referenced.

Removing front enclosure panel

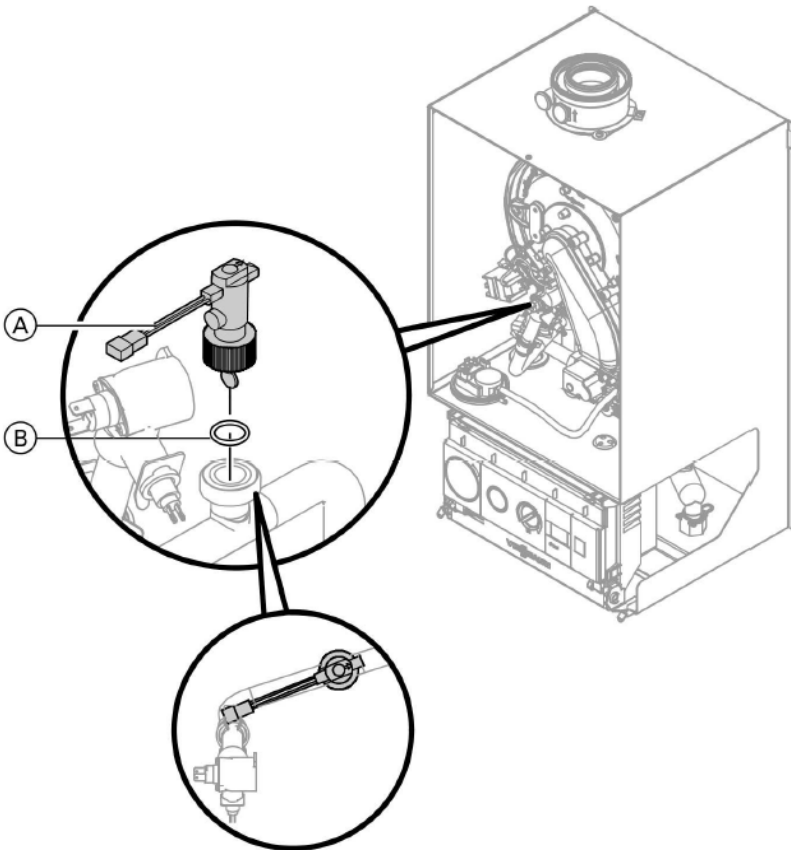


1. Turn off power supply.
2. Close gas valve.
3. Remove the screw at the top of boiler (A).
4. Press down on springs at bottom of boiler (B) and remove the front enclosure panel (C).
5. Drain heating water from boiler.
6. Flip control console down (D).

Please note:

Some residual water will be left in the boiler.

Flow switch replacement



1. Remove wiring from flow switch (A).
2. Loosen nut, carefully tilt flow switch slightly forward and remove.
3. Install new O-ring (B) (found in the housing of the new flow switch).
4. Install new flow switch (A) according to the diagram above. Observe **arrow for direction of flow** on the flow switch for proper orientation. Tighten nut to 8 Nm (71 lbf-in) maximum.
5. Reassemble the boiler in reverse order.



Refer to the Installation and Service Instructions of applicable boiler.

6. Fill the boiler with water, flush and check for leaks.

Viessmann Manufacturing Company (U.S.) Inc.
45 Access Road
Warwick, Rhode Island • 02886 • USA
1-800-288-0667 • Fax (401) 732-0590
www.viessmann-us.com • info@viessmann-us.com

Viessmann Manufacturing Company Inc.
750 McMurray Road
Waterloo, Ontario • N2V 2G5 • Canada
1-800-387-7373 • Fax (519) 885-0887
www.viessmann.ca • info@viessmann.ca

5346 528 v1.0 CA 01/2009

Technical information subject to change without notice.



Printed on environmentally friendly
(recycled and recyclable) paper.